



www.Source1Parts.com

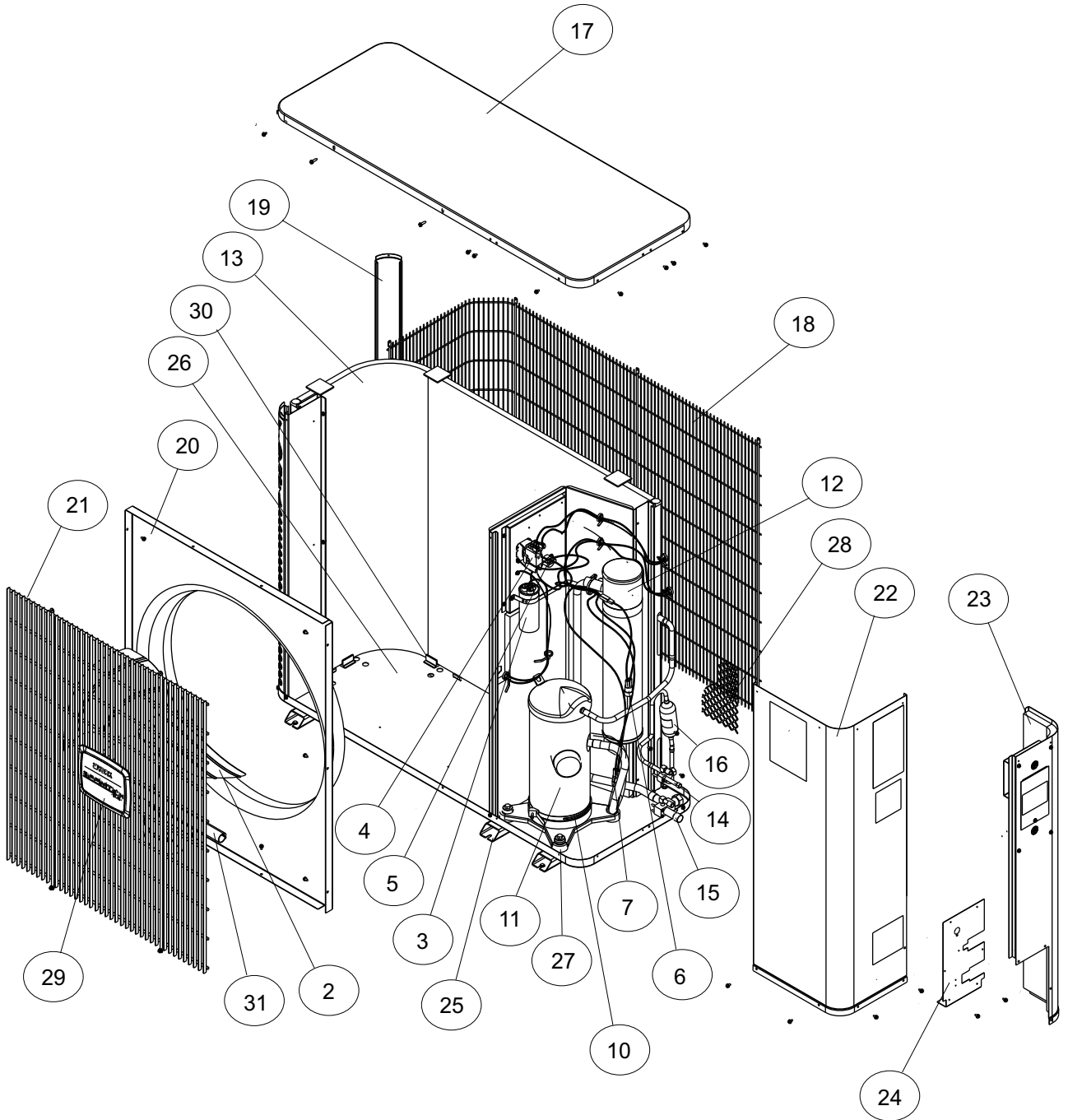
TCHE SERIES 14 SEER HORIZONTAL DISCHARGE R-410A AIR CONDITIONER (STYLE A)

HVAC SERVICE PARTS

Supersedes: 035-26464-001 Rev. A (0317)

035-26464-001 Rev. B (0817)

1 of 2



ITEM	DESCRIPTION	TCHE24S41S1A	TCHE36S41S1A	TCHE48S41S1A
MOTOR/AIR MOVING				
1*	MOTOR, FAN	S1-02436235000	S1-02436235000	S1-02436235000
2	BLADE, FAN	S1-02642600000	S1-02642600000	S1-02642600000
ELECTRICAL				
3	CAPACITOR, RUN (35/5MFD)	S1-02423998700	---	---
	CAPACITOR, RUN (45/5MFD)	---	S1-02425120700	S1-02425120700
4	CONTACTOR (40A)	S1-02425837700	S1-02425837700	S1-02425837700
5	SWITCH, TEMPERATURE (Heater)	S1-02435820000	S1-02435820000	S1-02435820000
6	SWITCH, HIGH PRESSURE	S1-02535359000	S1-02535359000	S1-02535359000
7	SWITCH, LOW PRESSURE	S1-02535360000	S1-02535360000	S1-02535360000
8*	LUG, ELECTRICAL	S1-02521798000	S1-02521798000	S1-02521798000
9*	HARNESS, COMPRESSOR	S1-02541088000	S1-02541088000	S1-02541088000
10	HEATER, CRANKCASE	S1-02541367000	S1-02541367000	S1-02541367000
COMPRESSOR/REFRIGERANT SYSTEM				
11	COMPRESSOR	S1-01504141004	S1-01505052004	S1-01504834004
12	ACCUMULATOR	S1-02642591000	S1-02642591000	S1-02642592000
13	COIL, CONDENSER (Formed)	S1-37327873102	S1-37327873102	S1-37327873103
14	BASE VALVE, LIQUID (3/8")	S1-02211573000	S1-02211573000	S1-02211573000
15	BASE VALVE, SUCTION (3/4")	S1-02211574000	S1-02211574000	---
	BASE VALVE, SUCTION (7/8")	---	---	S1-02211577000
16	FILTER/DRIER	S1-02922195000	S1-02922195000	S1-02922195000
FABRICATED PARTS				
17	ASSY, TOP	S1-37327872002	S1-37327872002	S1-37327872002
18	COIL GUARD, FORMED	S1-07327874002	S1-07327874002	S1-07327874003
19	CORNERPOST (2 Req'd)	S1-07327912002	S1-07327912002	S1-07327912003
20	VENTURI	S1-07327878002	S1-07327878002	S1-07327878003
21	GUARD, FAN	S1-02642597000	S1-02642597000	S1-02642598000
22	PANEL ASSY, FRONT ACCESS	S1-37327875002	S1-37327875002	S1-37327875003
23	PANEL ASSY, BACK ACCESS	S1-37327875005	S1-37327875005	S1-37327875006
24	PANEL, SERVICE VALVE	S1-07327876001	S1-07327876001	S1-07327876001
25	MOUNTING, FOOT (3 Req'd)	S1-07327879002	S1-07327879002	S1-07327879002
26	PAN, BASE	S1-07327872004	S1-07327872004	S1-07327872004
MISCELLANEOUS				
27	ISOLATOR, COMPRESSOR (4 Req'd)	S1-02810581000	S1-02810581000	S1-02810581000
28	WIRE MESH, PLASTIC	S1-02642594000	S1-02642594000	S1-02642595000
29	ASSY, TOP CAP	S1-02814888000	S1-02814888000	S1-02814888000
30	MOUNT, COIL (3 Req'd)	S1-02815870000	S1-02815870000	S1-02815870000
31	WIREWAY	S1-02815872000	S1-02815872000	S1-02815872000
32*	PIN, PUSH (6 Req'd)	S1-02118381000	S1-02118381000	S1-02118381000
33*	KIT, MOTOR MOUNTING (4 Acorn Nuts)	S1-36390117700	S1-36390117700	S1-36390117700
34*	DIAGRAM, WIRING	400975	400975	400975
35*	GASKET, FOAM (Coil)	S1-02815879000	S1-02815879000	S1-02815879000

NOTE: *Not Shown
 New replacement parts shown in **bold** face type at the first printing of parts list dated 8/17.
 Major components and suggested stocking items are shown with shaded item number.
 "<" Across from row indicates a change in that row.
 --- Not applicable to specified model.

TO ORDER AUTHORIZED FACTORY REPLACEMENT PARTS - Contact your Source1 HVAC Parts Distributor or visit our website at www.Source1Parts.com for a Distributor and Dealer listing.