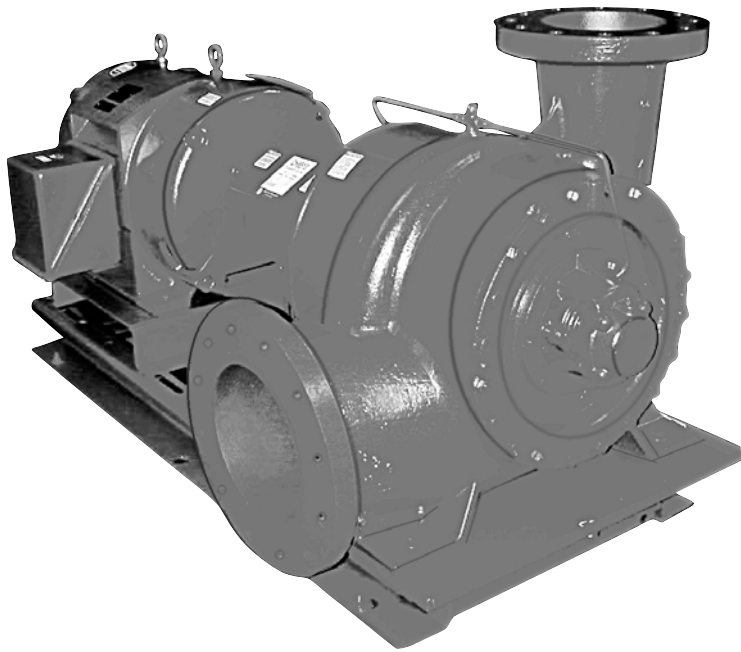
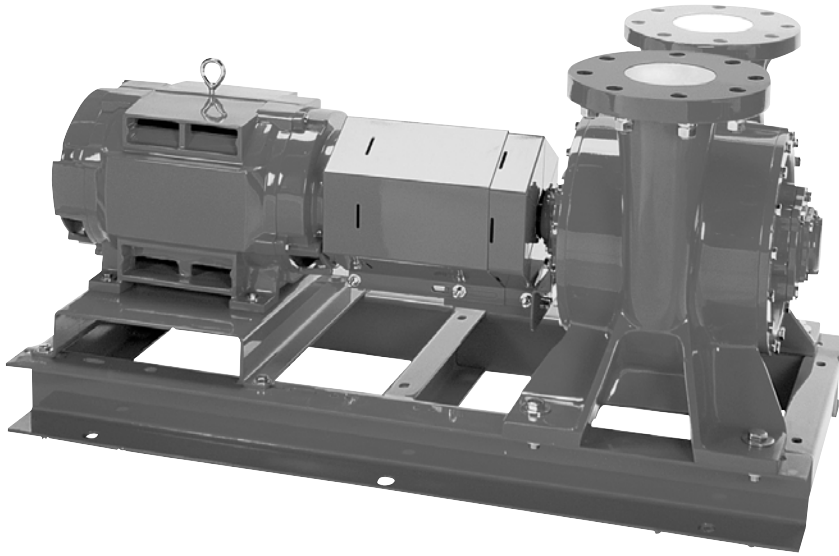




ITT

Bell & Gossett®
Parts List CP-400E-PL



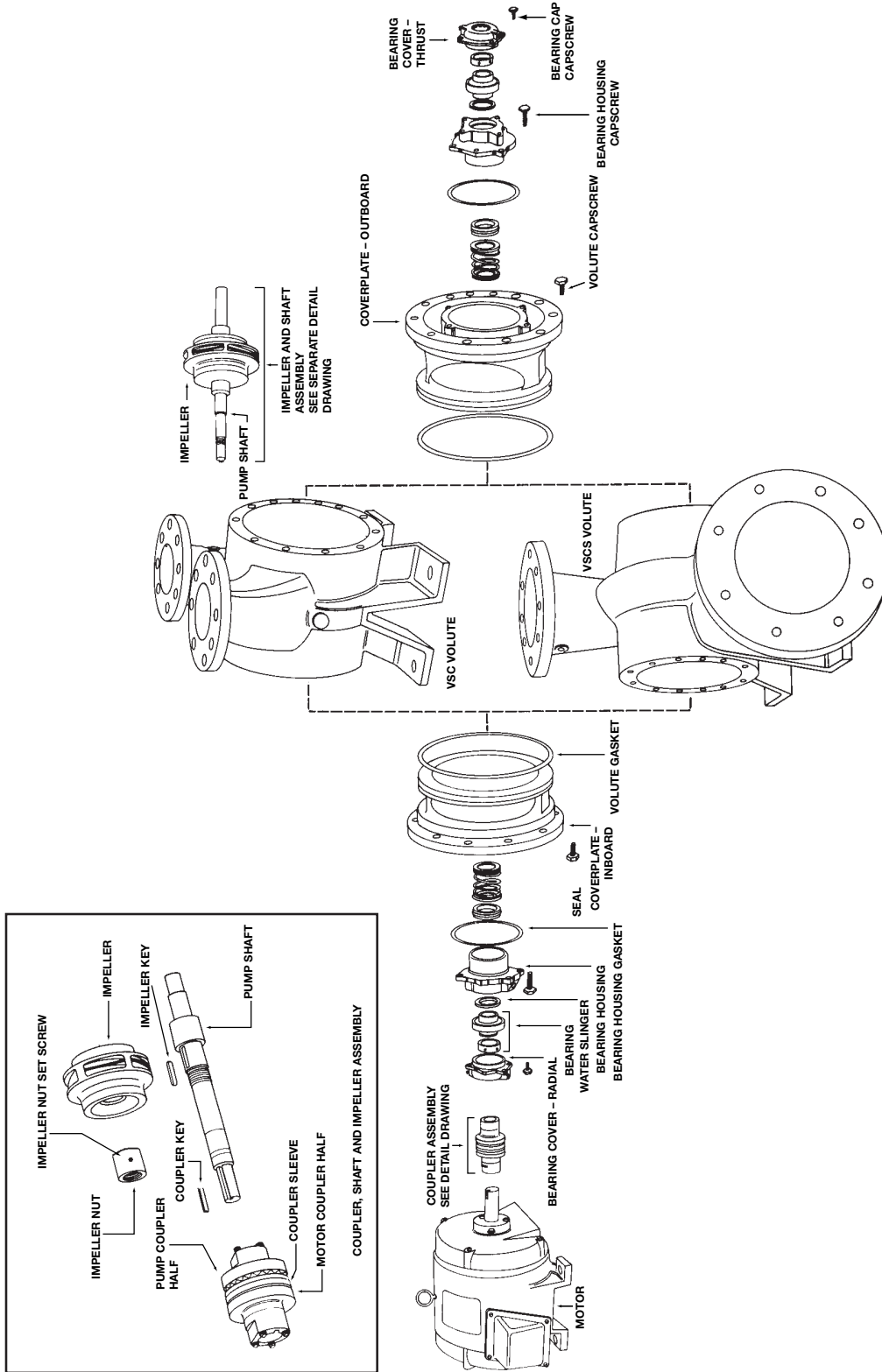
Replacement Parts for
**Old Design Series
VSC and VSCS Pumps**

Engineered for life

SERIES VSC and VSCS

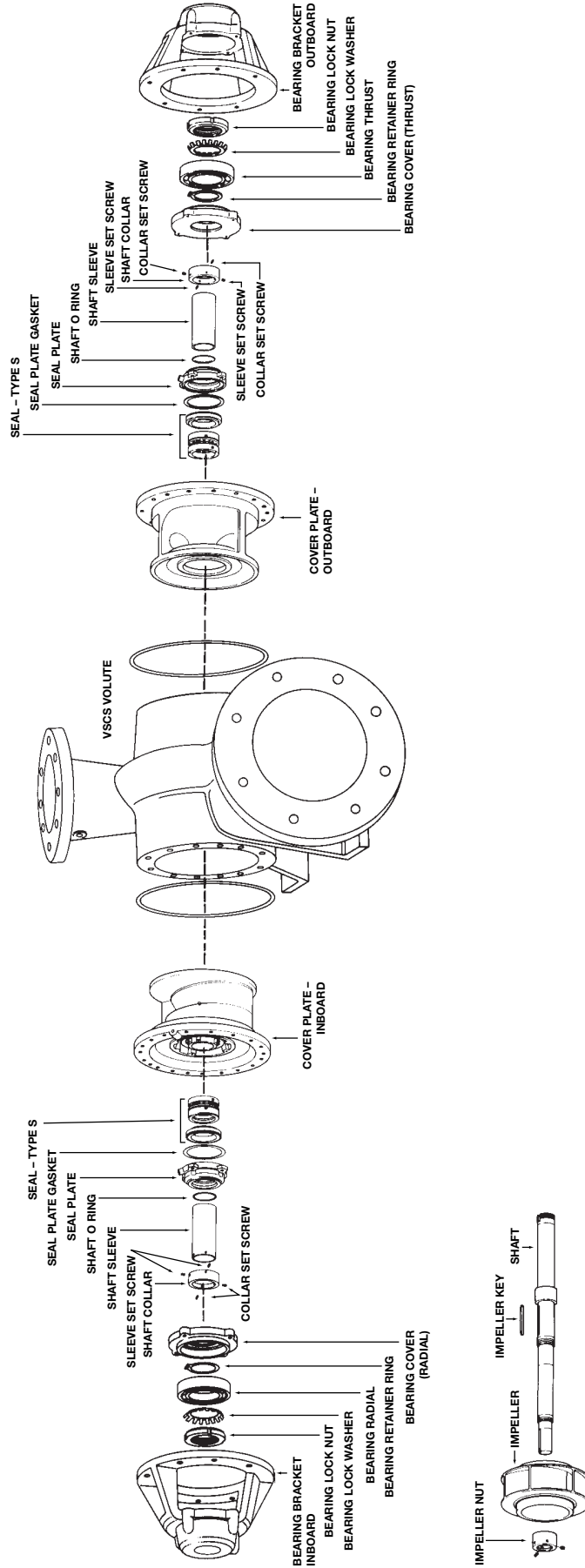
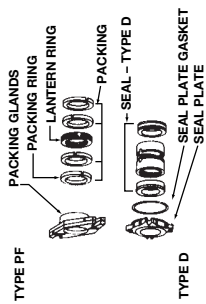
INDEX

PAGE	DESCRIPTION
3	Exploded View – Standard Seal Construction
4	Exploded View – Stuffing Box Construction
5	Exploded View – Stuffing Box Construction for 10x12x17, 12x14x12 ¹ / ₂ and 12x14x17 ¹ / ₂ only
6	Exploded View – Stuffing Box Construction for 8x10x17 only
7	4x4x9 ¹ / ₄ , 4x4x9 ¹ / ₄ L, 4x4x9 ³ / ₄ , 4x5x14 ³ / ₄ , 5x5x9 ³ / ₄ , 5x6x9 ³ / ₄ , 5x5x9 ³ / ₄ B, 5x6x9 ³ / ₄ B
8	5x5x12, 5x6x12, 5x5x12B, 5x6x12B, 5x5x12L, 5x6x12L, 5x6x15 ¹ / ₂ , 6x6x9 ³ / ₄ , 6x6x9 ³ / ₄ B, 6x8x9 ³ / ₄ , 6x8x9 ³ / ₄ B, 6x6x9 ³ / ₄ L, 6x8x9 ³ / ₄ L
9	6x8x9 ³ / ₄ H, 6x8x9 ³ / ₄ HL, 6x6x12, 6x8x12, 6x6x12L, 6x8x12L, 8x8x10 ¹ / ₂ , 8x10x10 ¹ / ₂ , 8x8x11 ³ / ₄ L, 8x10x11 ³ / ₄ L
10	8x8x13, 8x10x13, 8x8x13B, 8x10x13B, 10x12x11, 10x12x11 ³ / ₄ L, 10x10x13, 10x12x13, 10x10x13L, 10x12x13L
11	8x10x17, 8x10x17L, 10x12x17, 10x12x17L, 12x14x12 ¹ / ₂ , 12x14x12 ³ / ₄ L
12	12x14x17 ¹ / ₂ , 12x14x17 ¹ / ₂ B, 12x14x17 ¹ / ₂ L
13	Seal and Shaft Sleeve Parts for Flushed Single Seal Construction – S
14	Seal and Shaft Sleeve Parts for Flushed Double Seal Construction – D
15	Packing and Shaft Sleeve Parts for Flushed Packing Construction – PF
16-19	Coupler Selection Table
20	ANSI/OSHA Coupling Guard & Bracket Kit Selection Chart for EPDM Coupler
21	ANSI/OSHA Coupling Guard & Bracket Kit Selection Chart for Hytrel Coupler



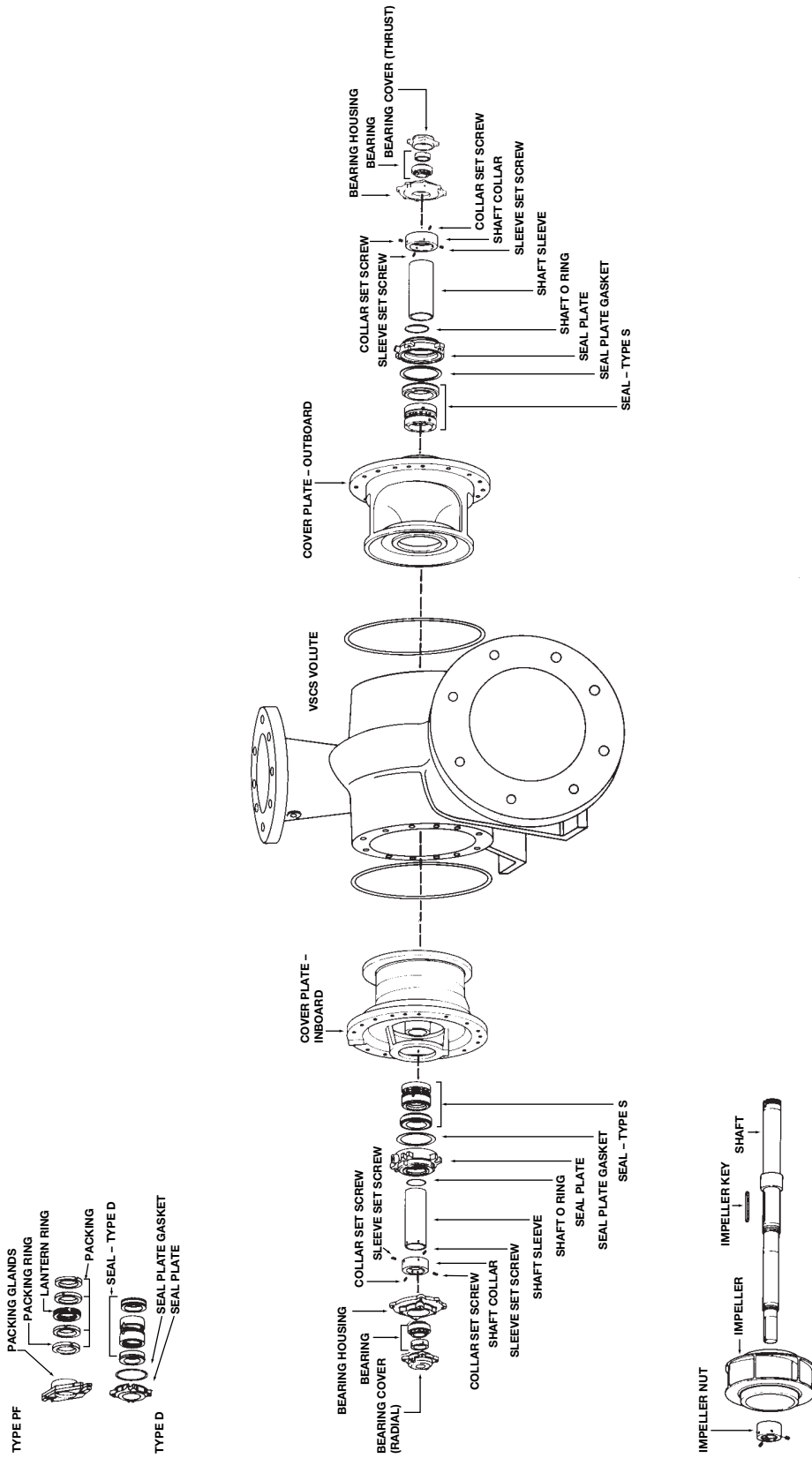
OLD DESIGN SERIES VSC AND VSCS PUMP ASSEMBLIES SHOWING STANDARD SEAL CONSTRUCTION

(8X10X17, 10X12X17, 12X14X12¹/₂ and 12X14X17¹/₂ PUMPS NOT AVAILABLE WITH THIS SEAL CONFIGURATION)



OLD DESIGN SERIES VSCS-PF, -S & -D PUMP SHOWING STUFFING BOX CONSTRUCTION

10X12X17, 12X14X12¹/₂, and 12X14X17¹/₂ ONLY
 (These pumps are only available with stuffing box construction.)



OLD DESIGN SERIES VSCS-PF, -S & -D PUMP SHOWING STUFFING BOX CONSTRUCTION

8X10X17 ONLY

(This pump is only available with stuffing box construction.)

OLD DESIGN SERIES VSC & VSCS VERTICAL SPLIT CASE PUMPS

VSC	QTY.	4X4X9¼	4X4X9¼L	4X4X9¾	-	5X5X9¾	5X5X9¼B
VSCS		-	-	-	4X5X14¾	5X6X9¾	5X6X9¼B
BALL BEARING	2	P77058	→	→	P77063	P77058	→
BEARING COVER-RADIAL	1	P76169	→	→	P76149	P76169	→
BEARING COVER-THRUST	1	P76167	→	→	P76152	P76167	→
COVER CAPSCREW	8	DJ0066	→	→	→	→	→
COUPLER	1	SEE PAGES 16-19 FOR COUPLER SELECTION					
COUPLER KEY	1	P49371	→	→	J32830	P49371	→
ANSI/OSHA COUPLER GUARD	1	SEE PAGE 20 OR 21 FOR COUPLER GUARD SELECTION					
COVERPLATE-INBOARD*	1	P75682	→	N/A	P75923	N/A	P75692
COVERPLATE-IN (W/W.R.)*	1	P75739	→	N/A	P75940	N/A	P75741
COVERPLATE-OUTBOARD*	1	P75684	→	N/A	P75925	N/A	P75694
COVERPLATE-OUT (W/W.R.)*	1	P75740	→	N/A	P75941	N/A	P75742
GREASE FITTING	2	M43860	→	→	→	→	→
IMPELLER	1	P75786†	P75786	P77433	P75436	P77770	P75772
IMPELLER KEY	1	J93170	→	→	J93449	J93170	→
IMPELLER NUT	1	P76875	→	→	P76898	P76875	→
SET SCREW	2	J91988	→	→	→	→	→
VOLUTE (VSC)	1	P75546	→	N/A	-	N/A	P75553
VOLUTE (VSCS)	1	-	-	-	P75593	N/A	P75556
VOLUTE CAPSCREW		P13780	→	→	P19490	P13780	→
VOLUTE GASKET	2	P80732	→	P80742	P80763	P80742	→

PARTS FOR STANDARD CONSTRUCTION

DESCRIPTION	QTY.						
BEARING HOUSING	2	P77101	→	→	P77171	P77101	→
BEARING HOUSING (F CONST.)	2	P77174	→	-	P77204	-	P77174
HOUSING GASKET (STD)	2	P80734	→	→	P80736	P80734	→
HOUSING CAPSCREW	8	P13780	→	→	→	→	→
SEAL (BUNA/CARBON/CERAMIC)	2	186827	→	→	186826	186827	→
SEAL (EPR/CARBON/TUNGSTEN)	2	186834	→	→	186835	186834	→
SHAFT ASSEMBLY ◇	1	P78928	→	→	P79002	P78928	→
WATER SLINGER	2	P77295	→	→	P77320	P77295	→

PARTS FOR STUFFING BOX CONSTRUCTION

DESCRIPTION	QTY.						
BEARING HOUSING	2	P90311	→	→	P90313	P90311	→
HOUSING CAPSCREW	8	P13780	→	→	→	→	→
SHAFT (AFTER APRIL, 1973-DN)	1	P90450	→	→	P90451	P90450	→
SHAFT (PRIOR TO MAY, 1973-EN)	1	-	-	N/A**	-	N/A**	-
SEAL OR PACKING	2	SEE PAGE 13, 14 OR 15 FOR SELECTION					
STUFFING BOX BRACKET	2	P90291	→	→	P90295	P90291	→
BRACKET CAPSCREW	8	K03600	→	→	→	→	→
BRACKET GASKET	2	P80734	→	→	P80736	P80734	→

- Factory recommended spare part.

*This designation refers to right hand rotation only. Coverplate part numbers are reversed on left hand rotation.

** When replacing this shaft, use current style with current sleeves and "O" rings.

†Check flow and head for correct impeller diameter.

◇ Shaft assembly includes shaft and collar.

N/A - Not Available

OLD DESIGN SERIES VSC & VSCS VERTICAL SPLIT CASE PUMPS

VSC	QTY.	5X5X12	5X5X12B	5X5X12L	-	6X6X9¼	6X6X9¼B	6X6X9¼L
VSCS		5X6X12	5X6X12B	5X6X12L	5X6X15½	6X8X9¼	6X8X9¼B	6X8X9¼L
BALL BEARING	2	P77058	→	→	P77063	P77058	P77063	→
BEARING COVER-RADIAL	1	P76169	→	→	P76149	P76169	P76149	→
BEARING COVER-THRUST	1	P76167	→	→	P76152	P76167	P76152	→
COVER CAPSCREW	8	DJ0066	→	→	→	→	→	→
COUPLER		SEE PAGES 16-19 FOR COUPLER SELECTION						
COUPLER KEY	1	P49371	→	→	J32830	P49371	J32830	→
ANSI/OSHA COUPLER GUARD	1	SEE PAGE 20 OR 21 FOR COUPLER GUARD SELECTION						
COVERPLATE-INBOARD*	1	N/A	P75696	→	P75927	N/A	P75700	→
COVERPLATE-IN (W/W.R.)*	1	N/A	P75743	→	P75942	N/A	P75745	→
COVERPLATE-OUTBOARD*	1	N/A	P75698	→	P75929	N/A	P75702	→
COVERPLATE-OUT (W/W.R.)*	1	N/A	P75744	→	P75943	N/A	P75746	→
GREASE FITTING	2	M43860	→	→	→	→	→	→
IMPELLER	1	P77952	P75774	P75791	P75957	P77986	P75776	P75793
IMPELLER KEY	1	J93170	→	→	J93449	J93170	J93595	→
IMPELLER NUT	1	P76875	→	→	P76892	P76875	P76898	→
SET SCREW	2	J91988	→	→	→	→	→	→
VOLUTE (VSC)	1	N/A	P75559	→	-	N/A	P75565	→
VOLUTE (VSCS)	1	N/A	P75562	→	P75596	N/A	P75568	→
VOLUTE CAPSCREW		P13780	→	→	P19480	P13780	→	→
VOLUTE GASKET	2	P80752	→	→	P80764	P80742	→	→

PARTS FOR STANDARD CONSTRUCTION

DESCRIPTION	QTY.							
BEARING HOUSING	2	P77101	→	→	P77171	P77101	P77171	→
BEARING HOUSING (F CONST.)	2	-	P77174	→	P77204	-	P77204	→
HOUSING GASKET (STD)	2	P80734	→	→	P80736	P80734	P80736	→
HOUSING CAPSCREW	8	P13780	→	→	→	→	→	→
SEAL (BUNA/CARBON/CERAMIC)	2	186827	→	→	186826	186827	186826	→
SEAL (EPR/CARBON/TUNGSTEN)	2	186834	→	→	186835	186834	186835	→
SHAFT ASSEMBLY ◊	1	P78928	→	→	P78986	P78928	P79002	→
WATER SLINGER	2	P77295	→	→	P77320	P77295	P77320	→

PARTS FOR STUFFING BOX CONSTRUCTION

DESCRIPTION	QTY.							
BEARING HOUSING	2	P90311	→	→	P90313	P90311	P90313	→
HOUSING CAPSCREW	8	P13780	→	→	→	→	→	→
SHAFT (AFTER APRIL, 1973-DN)	1	P90450	→	→	P90452	P90450	P90451	→
SHAFT (PRIOR TO MAY, 1973-EN)	1	N/A**	-	-	-	N/A**	-	-
SEAL OR PACKING	2	SEE PAGE 13, 14 OR 15 FOR SELECTION						
STUFFING BOX BRACKET	2	P90291	→	→	P90295	P90291	P90295	→
BRACKET CAPSCREW	8	K03600	→	→	→	→	→	→
BRACKET GASKET	2	P80734	→	→	P80736	P80734	P80736	→

- Factory recommended spare part.

*This designation refers to right hand rotation only. Coverplate part numbers are reversed on left hand rotation.

** When replacing this shaft, use current style with current sleeves and "O" rings.

◊ Shaft assembly includes shaft and collar.

N/A - Not Available

OLD DESIGN SERIES VSC & VSCS VERTICAL SPLIT CASE PUMPS

VSC	QTY.	6X8X9¾H	6X8X9¾HL	6X6X12	6X6X12L	8X8X10½	8X8X11¾L
VSCS		6X8X9¾H	6X8X9¾HL	6X8X12	6X8X12L	8X10X10½	8X10X11¾L
BALL BEARING	2	P77058	→	P77063	→	→	→
BEARING COVER-RADIAL	1	P76169	→	P76149	→	→	→
BEARING COVER-THRUST	1	P76167	→	P76152	→	→	→
COVER CAPSCREW	8	DJ0066	→	→	→	→	→
COUPLER		SEE PAGES 16-19 FOR COUPLER SELECTION					
COUPLER KEY	1	P49371	→	J32830	→	→	→
ANSI/OSHA COUPLER GUARD	1	SEE PAGE 20 OR 21 FOR COUPLER GUARD SELECTION					
COVERPLATE-INBOARD*	1	P75984	→	P76054	→	P76172	→
COVERPLATE-IN (W/W.R.)*	1	P81961	→	P81979	→	P81981	→
COVERPLATE-OUTBOARD*	1	P75986	→	P76052	→	P76162	→
COVERPLATE-OUT (W/W.R.)*	1	P81962	→	P81978	→	P81980	→
GREASE FITTING	2	M43860	→	→	→	→	→
IMPELLER	1	P77988	P75795	P75797†	P75797	P77463	P75799
IMPELLER KEY	1	J93171	→	J93595	→	→	→
IMPELLER NUT	1	P76875	→	P76898	→	P76892	→
SET SCREW	2	J91988	→	→	→	→	→
VOLUTE (VSC)	1	P75108	→	P75501	→	P75543	→
VOLUTE (VSCS)	1	P75111	→	P90254	→	P90257	→
VOLUTE CAPSCREW		P13780	→	→	→	→	→
VOLUTE GASKET	2	P80742	→	P80752	→	→	→

PARTS FOR STANDARD CONSTRUCTION

DESCRIPTION	QTY.						
BEARING HOUSING	2	P77101	→	P77171	→	→	→
BEARING HOUSING (F CONST.)	2	P77174	→	P77204	→	→	→
HOUSING GASKET (STD)	2	P80734	→	P80736	→	→	→
HOUSING CAPSCREW	8	P13780	→	→	→	→	→
SEAL (BUNA/CARBON/CERAMIC)	2	186827	→	186826	→	→	→
SEAL (EPR/CARBON/TUNGSTEN)	2	186834	→	186835	→	→	→
SHAFT ASSEMBLY ◊	1	P78932	→	P79002	→	P78986	→
WATER SLINGER	2	P77295	→	P77320	→	→	→

PARTS FOR STUFFING BOX CONSTRUCTION

DESCRIPTION	QTY.						
BEARING HOUSING	2	P90311	→	P90313	→	→	→
HOUSING CAPSCREW	8	P13780	→	→	→	→	→
SHAFT (AFTER APRIL, 1973-DN)	1	P78934	→	P90451	→	P90452	→
SHAFT (PRIOR TO MAY, 1973-EN)	1	-	-	N/A**	-	N/A**	-
SEAL OR PACKING	2	SEE PAGE 13, 14 OR 15 FOR SELECTION					
STUFFING BOX BRACKET	2	P90291	→	P90295	→	→	→
BRACKET CAPSCREW	8	K03600	→	→	→	→	→
BRACKET GASKET	2	P80734	→	P80736	→	→	→

- Factory recommended spare part.

*This designation refers to right hand rotation only. Coverplate part numbers are reversed on left hand rotation.

** When replacing this shaft, use current style with current sleeves and "O" rings.

†Check flow and head for correct impeller diameter.

◊ Shaft assembly includes shaft and collar.

N/A - Not Available

OLD DESIGN SERIES VSC & VSCS VERTICAL SPLIT CASE PUMPS

VSC	QTY.	8X8X13	8X8X13B	-	-	10X10X13	10X10X13L
VSCS		8X10X13	8X10X13B	10X12X11	10X12X11¾L	10X12X13	10X12X13L
BALL BEARING	2	P77063	→	→	→	185310	→
BEARING COVER-RADIAL	1	P76149	→	→	→	P81903	→
BEARING COVER-THRUST	1	P76152	→	→	→	P81904	→
COVER CAPSCREW	8	DJ0066	→	→	→	→	→
COUPLER		SEE PAGES 16-19 FOR COUPLER SELECTION					
COUPLER KEY	1	J32830	→	→	→	J93450	→
ANSI/OSHA COUPLER GUARD	1	SEE PAGE 20 OR 21 FOR COUPLER GUARD SELECTION					
COVERPLATE-INBOARD*	1	N/A	P75712	P82047	→	P81923	→
COVERPLATE-IN (W/W.R.)*	1	N/A	P75751	P82048	→	P81918	→
COVERPLATE-OUTBOARD*	1	N/A	P75714	P82050	→	P81921	→
COVERPLATE-OUT (W/W.R.)*	1	N/A	P75752	P82051	→	P81919	→
GREASE FITTING	2	M43860	→	→	→	→	→
IMPELLER	1	N/A	P75784	P82045	P75805	P78125	P75095
IMPELLER KEY	1	J93595	J93449	J93595	→	P81909	→
IMPELLER NUT	1	P76892	→	→	→	P81915	→
SET SCREW	2	J91988	→	→	→	P10720	→
VOLUTE (VSC)	1	N/A	P75618	-	-	P81901	→
VOLUTE (VSCS)	1	N/A	P75621	P90263	→	P90266	→
VOLUTE CAPSCREW		P13780	→	→	→	→	→
VOLUTE GASKET	2	P80758	→	P80752	→	P80758	→

PARTS FOR STANDARD CONSTRUCTION

DESCRIPTION	QTY.						
BEARING HOUSING	2	P77171	→	→	→	P81908	→
BEARING HOUSING (F CONST.)	2	-	P77204	→	→	P81943	→
HOUSING GASKET (STD)	2	P80736	→	→	→	P81914	→
HOUSING CAPSCREW	8	P13780	→	→	→	→	→
SEAL (BUNA/CARBON/CERAMIC)	2	186826	→	→	→	186828	→
SEAL (EPR/CARBON/TUNGSTEN)	2	186835	→	→	→	186836	→
SHAFT ASSEMBLY ◊	1	P78986	→	→	→	P81911	→
WATER SLINGER	2	P77320	→	→	→	P81917	→

PARTS FOR STUFFING BOX CONSTRUCTION

DESCRIPTION	QTY.						
BEARING HOUSING	2	P90313	→	→	→	P90315	→
HOUSING CAPSCREW	8	P13780	→	→	→	→	→
SHAFT (AFTER APRIL, 1973-DN)	1	P90452	→	→	→	P90453	→
SHAFT (PRIOR TO MAY, 1973-EN)	1	N/A**	-	N/A**	-	N/A**	-
SEAL OR PACKING	2	SEE PAGE 13, 14 OR 15 FOR SELECTION					
STUFFING BOX BRACKET	2	P90295	→	→	→	P90299	→
BRACKET CAPSCREW	8	K03600	→	→	→	→	→
BRACKET GASKET	2	P80736	→	→	→	P81914	→

- Factory recommended spare part.

*This designation refers to right hand rotation only. Coverplate part numbers are reversed on left hand rotation.

** When replacing this shaft, use current style with current sleeves and "O" rings.

◊ Shaft assembly includes shaft and collar.

N/A - Not Available

OLD DESIGN SERIES VSCS VERTICAL SPLIT CASE PUMPS

VSCS	QTY.	8X10X17	8X10X17L	10X12X17	10X12X17L	12X14X12½	12X14X12¾L
BALL BEARING	2	P77063	→	185309	→	→	→
BEARING COVER-RADIAL	1	P76149	→	P90277	P90569	P90277	P90569
BEARING COVER-THRUST	1	P76152	→	P90278	P90568	P90278	P90568
BEARING RETAINER RING	2	-	-	J92383	-	J92383	-
BEARING LOCKWASHER	2	-	-	J92382	→	→	→
BEARING LOCKNUT	2	-	-	J92381	→	→	→
COVER CAPSCREW	8	DJ0066	→	K03600	P03470	K03600	P03470
COUPLER		SEE PAGES 16-19 FOR COUPLER SELECTION					
COUPLER KEY	1	J32830	→	J93450	→	→	→
ANSI/OSHA COUPLER GUARD	1	SEE PAGE 20 OR 21 FOR COUPLER GUARD SELECTION					
COVERPLATE-INBOARD*	1	P75137	→	P75133▼	→	P90564▼	→
COVERPLATE-IN (W/W.R.)*	1	P75138	→	P75141▼	→	P75143▼	→
COVERPLATE-OUTBOARD*	1	P75135	→	P75131▼	→	P90562▼	→
COVERPLATE-OUT (W/W.R.)*	1	P75139	→	P75142▼	→	P75144▼	→
GREASE FITTING	2	M43860	→	→	→	→	→
IMPELLER	1	P77469	P75091	P77472	P75093	P77494	P75088
IMPELLER KEY	1	J93595	→	P81909	→	→	→
IMPELLER NUT	1	P76892	→	P81915	P80916	P81915	P80916
SET SCREW	2	J91988	→	P10720	→	→	→
VOLUTE (VSCS)	1	P81897	→	P90272	→	P90269	→
VOLUTE CAPSCREW		P19810	→	→	→	P19490	→
VOLUTE GASKET	2	P80759	→	→	→	P80758	→

PARTS FOR STANDARD CONSTRUCTION

DESCRIPTION	QTY.						
BEARING HOUSING	2	N/A	P77171	N/A	P90566	N/A	P90566
HOUSING CAPSCREW	8		P13780		P13780		P13780
HOUSING GASKET (STD)	2		P80736		P05790		P05790
SEAL (BUNA/CARBON/CERAMIC)	2		186826		185377		185377
SEAL (EPR/CARBON/TUNGSTEN)	2		186835		185378		185378
SHAFT ASSEMBLY ◊	1		P78986		P75414		P75414
WATER SLINGER	2		P77320		P75576		P75576
SEAL CAP	2		-		P90571		P90571
SHAFT SLEEVE	2		-		P80913		P80913

PARTS FOR STUFFING BOX CONSTRUCTION

DESCRIPTION	QTY.						
BEARING HOUSING	2	P90313	N/A	N/A	N/A	N/A	N/A
HOUSING CAPSCREW	8	K03600		P13780		P13780	
SHAFT (AFTER APRIL, 1973-DN)	1	P90452		P90454		P90454	
SHAFT (PRIOR TO MAY, 1973-EN)	1	N/A		N/A**		N/A**	
SEAL OR PACKING	2	SEE PAGE 13, 14 OR 15 FOR SELECTION					
BEARING BRACKET-INBOARD	1	N/A	N/A	P90288	N/A	P90288	N/A
BEARING BRACKET-OUTBOARD	1			P90289		P90289	

- Factory recommended spare part.

*This designation refers to right hand rotation only. Coverplate part numbers are reversed on left hand rotation.

** When replacing this shaft, use current style with current sleeves and "O" rings.

▼ When replacing this coverplate on a pump model manufactured prior to April, 1993 (D9), 2-P90575 seal chamber, 2-P05790 gasket and 8-P03470 capscrew are required to replace the seal kit.

◊ Shaft assembly includes shaft and collar.

N/A - Not Available

OLD DESIGN SERIES VSCS VERTICAL SPLIT CASE PUMPS

VSCS	QTY.	12X14X17½	12X14X17½B	12X14X17½L
BALL BEARING-RADIAL	1	J92376	J92413	→
BALL BEARING-THRUST	1	J92375	J92413	→
BEARING COVER-RADIAL	1	P90481	P90557	→
BEARING COVER-THRUST	1	P90481	P90556	→
BEARING LOCKWASHER	2	J92377	J92389	→
BEARING LOCKNUT	2	J92378	J92388	→
COVER CAPSCREW		J91756	P13780	→
COUPLER		SEE PAGES 17-19 FOR COUPLER SELECTION		
COUPLER KEY	1	J93451	→	→
ANSI/OSHA COUPLER GUARD	1	SEE PAGE 20 OR 21 FOR SELECTION		
COVERPLATE-INBOARD*	1	P90474	P90552	→
COVERPLATE-IN (W/W.R.)*	1	P82066	P75570	→
COVERPLATE-OUTBOARD*	1	N/A	P90550	→
COVERPLATE-OUT (W/W.R.)*	1	N/A	P75571	→
GREASE FITTING	2	M43860	→	→
IMPELLER	1	P90469	P82499	P75086
IMPELLER KEY	1	P90465	→	→
IMPELLER NUT	1	P90466	P80921	→
SET SCREW	2	J91996	→	→
VOLUTE (VSCS)	1	P90471	→	→
VOLUTE CAPSCREW		J92298	→	→
VOLUTE GASKET	2	P80761	→	→

PARTS FOR STANDARD CONSTRUCTION

DESCRIPTION	QTY.			
BEARING HOUSING	2	N/A	P90554	→
HOUSING CAPSCREW	8		P19490	→
SEAL (BUNA/CARBON/CERAMIC)	2		185379	→
SEAL (EPR/CARBON/TUNGSTEN)	2		185375	→
SHAFT ASSEMBLY ◇	1		P86150	→
WATER SLINGER	2		P75575	→
SEAL CAP	2		P90559	→
SEAL CAP GASKET	2		P75574	→

PARTS FOR STUFFING BOX CONSTRUCTION

DESCRIPTION	QTY.			
HOUSING CAPSCREW	8	P19490	→	→
SHAFT	1	P90449	N/A	N/A
SHAFT ASSEMBLY ◇	1	N/A	P86150	→
SEAL OR PACKING	2	SEE PAGE 13, 14 OR 15 FOR SELECTION		
BEARING BRACKET-INBOARD	1	P90478	N/A	N/A
BEARING BRACKET-OUTBOARD	1	P90479		
BEARING HOUSING	2	N/A	P90554	→

▬ - Factory recommended spare part.

*This designation refers to right hand rotation only. Coverplate part numbers are reversed on left hand rotation.

◇ Shaft assembly includes shaft and collar.

N/A - Not Available

SEAL AND PACKING FOR STUFFING BOX CONSTRUCTION (VSCS) FLUSHED SINGLE SEAL CONSTRUCTION

PUMP SIZE	10X12X17 12X14X12½	12X14X17½
DESCRIPTION	(2⅝")	(3¾")
SEAL KIT (BUNA/CARBON/CERAMIC) (2 REQUIRED)	185054	185055
SEAL PLATE (2 REQUIRED)	P90356	P90483
SEAL PLATE GASKET (2 REQUIRED)	P85080▲	P80762▲
SHAFT SLEEVE (2 REQ'D) (PRIOR TO MAY, 1973-EN)	P90285	-
SHAFT SLEEVE (2 REQ'D) (MAY, 1973-EN AND AFTER)	P90457	P90462
SLEEVE SET SCREW (4 REQUIRED)	P01808	P01812
SLEEVE O-RING (2 REQ'D) (PRIOR TO MAY, 1973-EN)	J94139 (2-3/8" I.D. X 1/16"W) ▲	-
SHAFT O-RING (2 REQ'D) (MAY, 1973-EN AND AFTER)	J94129 (2-1/4" I.D. X 1/16"W) ▲	J94124 (3" I.D. X 1/16"W)▲
SHAFT COLLAR (2 REQUIRED)	P90282	P90460
COLLAR SET SCREW (4 REQUIRED)	J91995	J91996
SEAL PLATE CAPSCREW (8 REQUIRED)	H28200	F19200
CAPSCREW WASHER (8 REQUIRED)	P10910	P11190

(VSC-S, VSCS-S) FLUSHED SINGLE SEAL CONSTRUCTION

PUMP SIZE	4X4X9¼ 4X4X9¼L 4X4X9¾ 5X5X9¾ 5X5X9¾B 5X6X9¾ 5X6X9¾B 5X5X12 5X5X12B 5X5X12L 5X6X12 5X6X12B 5X6X12L 6X6X9¾ 6X8X9¾ 6X8X9¾H 6X8X9¾HL	4X5X14¾ 5X6X15½ 6X6X9¾B,L 6X8X9¾B,L 6X6X12 6X6X12L 6X8X12 6X8X12L 8X8X10½ 8X10X10½ 8X8X11¾L 8X10X11¾L 8X8X13 8X8X13B 8X10X13 8X10X13B 10X12X11 10X12X11¾L 8X10X17	10X10X13 10X10X13L 10X12X13 10X12X13L 10X12X17 12X14X12½	12X14X17½B 12X14X17½L	12X14X17½
DESCRIPTION (SIZE)	(1-5/8")	(2")	(2-5/8")	(3")	(3¾")
SEAL KIT (EPR/CARBON/TUNGSTEN) (2 REQUIRED)	185050	185051	185052	185376	185053
SEAL PLATE (2 REQUIRED)	P85086	P90352	P90356	P90560	P90483
SEAL PLATE GASKET (2 REQUIRED)	P85078▲	P85079▲	P85080▲	P75574	P80762▲
SHAFT SLEEVE (2 REQ'D) (PRIOR TO MAY, 1973-EN)	P90284	P90283	P90285	-	-
SHAFT SLEEVE (2 REQ'D) (MAY, 1973-EN AND AFTER)	P90455	P90456	P90457	P80918	P90462
SLEEVE SET SCREW (4 REQUIRED)	P01808	→	→	-	P01812
SLEEVE O-RING (2 REQ'D) (PRIOR TO MAY, 1973-EN)	J94137▲ 1-3/8" I.D. X 1/16"W	J94138▲ 1¾" I.D. X 1/16"W	J94139▲ 2-3/8" I.D. X 1/16"W	-	-
SHAFT O-RING (2 REQ'D) (MAY, 1973-EN AND AFTER)	J94126▲ 1¾" I.D. X 1/16"W	J94127▲ 1-5/8" I.D. X 1/16"W	J94129▲ 2¾" I.D. X 1/16"W	P75573▲ QUAD RING	J94124▲ 3" I.D. X 1/16"W
SHAFT COLLAR (2 REQUIRED)	P90281	P90280	P90282	P80920	P90460
COLLAR SET SCREW (4 REQUIRED)	J91995	→	→	J91996	→
SEAL PLATE CAPSCREW (8 REQUIRED)	H28100	H28200	→	P01260	F19200
CAPSCREW WASHER (8 REQUIRED)	P10910	→	→	-	P11190
SEAL CHAMBER (2 REQUIRED)	N/A	N/A	P90575†	N/A	N/A
BODY GASKET (2 REQUIRED)	N/A	N/A	P05790†	N/A	N/A
CAPSCREW (8 REQUIRED)	N/A	N/A	P03470†	N/A	N/A

■ - Factory recommended spare part.

† Replacement parts for 12x14x12½ and 10x12x17 models only.

▲ Quantity of 1 included with seal kit.

SEAL AND PACKING FOR STUFFING BOX CONSTRUCTION (VSC-D, VSCS-D) FLUSHED DOUBLE SEAL CONSTRUCTION

PUMP SIZE	4X4X9 ³ / ₄ ,L 4X4X9 ³ / ₄ 5X5X9 ³ / ₄ 5X5X9 ³ / ₄ B 5X6X9 ³ / ₄ 5X6X9 ³ / ₄ B 5X5X12 5X6X12 5X5X12B,L 5X6X12B,L 6X6X9 ³ / ₄ 6X8X9 ³ / ₄ 6X8X9 ³ / ₄ H,HL	4X5X14 ³ / ₄ 5X6X15 ¹ / ₂ 6X6X9 ³ / ₄ B,L 6X8X9 ³ / ₄ B,L 6X6X12,L 6X8X12,L 8X8X10 ¹ / ₂ 8X10X10 ¹ / ₂ 8X8X11 ³ / ₄ L 8X10X11 ³ / ₄ L 8X8X13 8X8X13B 8X10X13 8X10X13B 10X12X11 10X12X11 ³ / ₄ L 8X10X17	10X10X13,L 10X12X13,L 10X12X17 12X14X12 ¹ / ₂	12X14X17 ¹ / ₂
	(1 ⁵ / ₈ "")	(2")	(2 ⁵ / ₈ "")	(3 ³ / ₄ "")
DESCRIPTION (SIZE)	(1 ⁵ / ₈ "")	(2")	(2 ⁵ / ₈ "")	(3 ³ / ₄ "")
SEAL ASSEMBLY (EPR/CARBON/CERAMIC) (2 REQUIRED)	186843	186844	186845	186846
SEAL PLATE (2 REQUIRED)	P85094	P90344	P90348	P90483
SEAL PLATE GASKET (2 REQUIRED)	P85078	P85079	P85080	P80762
SHAFT SLEEVE (2 REQ'D) (PRIOR TO MAY, 1973-EN)	P90284	P90283	P90285	-
SHAFT SLEEVE (2 REQ'D) (MAY, 1973-EN AND AFTER)	P90455	P90456	P90457	P90462
SLEEVE SET SCREW (4 REQUIRED)	P01808	→	→	P01812
SLEEVE O-RING (2 REQ'D) (PRIOR TO MAY, 1973-EN)	J94137 ▲ 1-3/8" I.D. X 1/16" W	J94138 ▲ 1" I.D. X 1/16" W	J94139 ▲ 2-3/8" I.D. X 1/16" W	-
SHAFT O-RING (2 REQ'D) (MAY, 1973-EN AND AFTER)	J94126 ▲ 1" I.D. X 1/16" W	J94127 ▲ 1-5/8" I.D. X 1/16" W	J94129 ▲ 2" I.D. X 1/16" W	J94124 ▲ 3" I.D. X 1/16" W
SHAFT COLLAR (2 REQUIRED)	P90281	P90280	P90282	P90460
COLLAR SET SCREW (4 REQUIRED)	J91995	→	→	J91996
SEAL PLATE CAPSCREW (8 REQUIRED)	H28100	→	→	F19200
CAPSCREW WASHER (8 REQUIRED)	P10910	→	→	P11190
SEAL CHAMBER (2 REQUIRED)	N/A	N/A	P90574†	N/A
BODY GASKET (2 REQUIRED)	N/A	N/A	P05790†	N/A
CAPSCREW (8 REQUIRED)	N/A	N/A	P03470†	N/A

▢ - Factory recommended spare part.

† Replacement parts for 12x14x12¹/₂ and 10x12x17 models only.

▲ Quantity of 1 included with Seal Assembly.

(VSC-PF, VSCS-PF) PACKING CONSTRUCTION

PUMP SIZE	4X4X9³/₄	4X5X9³/₄	4X5X14³/₄
	4x4x9³/₄L	4X4X9³/₄	5X6X15¹/₂
	5X5X9³/₄	5X5X9³/₄B	6X6X9³/₄B,L
	5X6X9³/₄	5X6X9³/₄B	6X8X9³/₄B,L
	5X6X12	5X5X12	6X6X12
	5X5X12B	5X5X12B	6X6X12L
	5X5X12L	5X5X12L	6X8X12
	5X6X12	5X6X12B	6X8X12L
	5X6X12B	5X6X12L	8X8X10¹/₂
	6X6X9³/₄	6X6X9³/₄	8X10X10¹/₂
	6X8X9³/₄	6X8X9³/₄H	8X8X11³/₄L
	6X8X9³/₄HL	6X8X9³/₄HL	8X10X11³/₄L
		8X8X13	8X8X13
		8X8X13B	10X10X13
		8X10X13	10X10X13L
		8X10X13B	10X12X13
		10X12X11	10X12X13L
		10X12X11³/₄L	10X12X17
		8X10X17	12X14X12¹/₂
DESCRIPTION (SIZE)	(1⁵/₈")	(2")	(2⁵/₈")
PACKING SET (2 REQUIRED)	P82072	P82074	P82075
PACKING GLAND HALF (4 REQUIRED)	P85050	P90302	P90306
LANTERN RING HALF	P84986	P84987	P90320
	(2)	(2)	(4)
SHAFT SLEEVE (2 REQ'D) (PRIOR TO MAY, 1973-EN)	P90284	P90283	P90285
SHAFT SLEEVE (2 REQ'D) (MAY, 1973-EN AND AFTER)	P90455	P90456	P90457
SLEEVE SET SCREW (4 REQUIRED)	P01808	→	→
SLEEVE O-RING (2 REQ'D) PRIOR TO MAY, 1973-EN)	J94137	J94138	J94139
	<small>1-3/8" I.D. X 1/16" W</small>	<small>1¹/₂" I.D. X 1/16" W</small>	<small>2-3/8" I.D. X 1/16" W</small>
SHAFT O-RING (2 REQ'D) (MAY, 1973-EN AND AFTER)	J94126	J94127	J94129
	<small>1¹/₂" I.D. X 1/16" W</small>	<small>1-5/8" I.D. X 1/16" W</small>	<small>2¹/₈" I.D. X 1/16" W</small>
SHAFT COLLAR (2 REQUIRED)	P90281	P90280	P90282
COLLAR SET SCREW (4 REQUIRED)	J91995	→	→
GLAND CAPSCREW (4 REQUIRED)	J92051	J92052	→
CAPSCREW WASHER (4 REQUIRED)	J91649	→	→
SEAL CHAMBER (2 REQUIRED)	N/A	N/A	P90574†
BODY GASKET (2 REQUIRED)	N/A	N/A	P05790†
CAPSCREW (8 REQUIRED)	N/A	N/A	P03470†

 - Factory recommended spare part.

† Replacement parts for 12X14X12¹/₂ and 10X12X17 models only.

OLD DESIGN SERIES VSC & VSCS COUPLER SELECTION TABLE (RAIL BASE ONLY)

PUMP		SHAFT GAP	PUMP SHAFT	MOTOR FRAME SIZE	PUMP HALF	MOTOR SHAFT	MOTOR HALF	VENDOR NUMBER	COUPLER SLEEVE
4X4X9¼	5X6X9¾	4-3/8"	1-1/8"	182T	P82151	1-1/8"	P82151	SC-5	P78729
4X4X9¼L	5X6X9¾B	4-3/8"	1-1/8"	184T	P82151	1-1/8"	P82151	SC-5	P78729
4X4X9¼	5X6X12	4-3/8"	1-1/8"	213T	P82152	1-3/8"	P82153	SC-6	P78791
5X5X9¾	5X6X12B	4-3/8"	1-1/8"	215T	P82152	1-3/8"	P82153	SC-6	P78791
5X5X9¾B	5X6X12L	5-3/8"	1-1/8"	254T	P82154	1-5/8"	P82155	SC-7	P78792
5X5X12	6X6X9¾	5-3/8"	1-1/8"	256T	P82156	1-5/8"	P82157	SC-8	P78794
5X5X12B	6X8X9¾	5-3/8"	1-1/8"	284T	P82156	1-7/8"	P82158	SC-8	P78794
5X5X12L		5-3/8"	1-1/8"	286T	P82159	1-7/8"	P82161	SC-9	P78796
		5-3/8"	1-1/8"	324T	P82159	2-1/8"	P82162	SC-9	P78796
		5-3/8"	1-1/8"	326T	P82154	2-1/8"	P82097	SC-7H*	P82098
6X8X9¾H	6X8X9¾HL	5-3/8"	1-1/8"	213T	P82154	1-3/8"	P82441	SC-7	P78792
		5-3/8"	1-1/8"	215T	P82154	1-3/8"	P82441	SC-7	P78792
		5-3/8"	1-1/8"	254T	P82154	1-5/8"	P82155	SC-7	P78792
		5-3/8"	1-1/8"	256T	P82156	1-5/8"	P82157	SC-8	P78794
		5-3/8"	1-1/8"	284T	P82156	1-7/8"	P82158	SC-8	P78794
		5-3/8"	1-1/8"	286T	P82159	1-7/8"	P82161	SC-9	P78796
		5-3/8"	1-1/8"	324T	P82159	2-1/8"	P82162	SC-9	P78796
		5-3/8"	1-1/8"	326T	P82154	2-1/8"	P82097	SC-7H*	P82098
4X5X14¾	8X8X10½	5-3/8"	1-5/8"	215T	P82155	1-3/8"	P82441	SC-7	P78792
5X6X15½	8X10X10½	5-3/8"	1-5/8"	254T	P82155	1-5/8"	P82155	SC-7	P78792
6X6X9¾B	8X8X11¾L	5-3/8"	1-5/8"	256T	P82157	1-5/8"	P82157	SC-8	P78794
6X6X9¾L	8X10X11¾L	5-3/8"	1-5/8"	284T	P82157	1-7/8"	P82158	SC-8	P78794
6X8X9¾B	8X8X13	5-3/8"	1-5/8"	286T	P82160	1-7/8"	P82161	SC-9	P78796
6X8X9¾L	8X8X13B	5-3/8"	1-5/8"	324T	P82160	2-1/8"	P82162	SC-9	P78796
6X6X12	8X10X13	5-3/8"	1-5/8"	326T	P82099	2-1/8"	P82165	SC-10	P78798
6X6X12L	8X10X13B	5-3/8"	1-5/8"	326T	P82157	2-1/8"	P82141	SC-8H*	P82142
6X8X12	10X12X11	5-3/8"	1-5/8"	326T	P82155†	2-1/8"	P82097†	SC-7H*	P82098†
6X8X12L	10X12X11¾L	5-3/8"	1-5/8"	364TS	P82157	1-7/8"	P82158	SC-8H*	P82142
		5-3/8"	1-5/8"	364TS	P82155†	1-7/8"	P82096†	SC-7H*	P82098†
		5-3/8"	1-5/8"	365TS	P82157	1-7/8"	P82158	SC-8H*	P82142
		5-3/8"	1-5/8"	404TS	P82157	2-1/8"	P82141	SC-8H*	P82142
		5-3/8"	1-5/8"	405TS	P82160	2-1/8"	P82162	SC-9H*	P82144
		5-3/8"	1-5/8"	444TS	P82160	2-3/8"	P82143	SC-9H*	P82144
8X10X17	8X10X17L	5-3/8"	1-5/8"	256T	P82157	1-5/8"	P82157	SC-8	P78794
		5-3/8"	1-5/8"	286T	P82160	1-7/8"	P82161	SC-9	P78796
		5-3/8"	1-5/8"	324T	P82160	2-1/8"	P82162	SC-9	P78796
		5-3/8"	1-5/8"	326T	P82155†	2-1/8"	P82097†	SC-7H*	P82098†
		5-3/8"	1-5/8"	364T	P82160	2-3/8"	P82143	SC-9H*	P82144
		5-3/8"	1-5/8"	364TS	P82155†	1-7/8"	P82096†	SC-7H*	P82098†
		5-3/8"	1-5/8"	365T	P82160	2-3/8"	P82143	SC-9H*	P82144
		5-3/8"	1-5/8"	365TS	P82157	1-7/8"	P82158	SC-8H*	P82142
		5-3/8"	1-5/8"	404T	P82160	2-7/8"	P82538†	SC-9H*	P82144
		5-3/8"	1-5/8"	405T	P82160	2-7/8"	P82538	SC-9H*	P82144
		5-3/8"	1-5/8"	444TS	P82160	2-3/8"	P82143	SC-9H*	P82144
		5-3/8"	1-5/8"	445TS	P82099	2-3/8"	P82166	SC-10H*	P82146

- Factory recommended spare part.

*Indicates coupler with Hytrel sleeve. Type H **should not** be used as direct replacement for EPDM or Neoprene sleeves.

†Used after April, 1986.

N/A - Not Available.

OLD DESIGN SERIES VSC & VSCS COUPLER SELECTION TABLE (RAIL BASE ONLY)

PUMP		SHAFT GAP	PUMP SHAFT	MOTOR FRAME SIZE	PUMP HALF	MOTOR SHAFT	MOTOR HALF	VENDOR NUMBER	COUPLER SLEEVE
10X10X13 10X10X13L	10X12X13	5-3/8"	2-1/8"	284T	P82141	1-7/8"	P82158	SC-8	P78794
	10X12X13L	5-3/8"	2-1/8"	286T	P82162	1-7/8"	P82161	SC-9	P78796
		5-3/8"	2-1/8"	324T	P82162	2-1/8"	P82162	SC-9	P78796
		5-3/8"	2-1/8"	326T	P82165	2-1/8"	P82165	SC-10	P78798
		5-3/8"	2-1/8"	326T	P82141	2-1/8"	P82141	SC-8H*	P82142
		5-3/8"	2-1/8"	326T	P82097†	2-1/8"	P82097†	SC-7H*	P82098†
		5-3/8"	2-1/8"	364T	P82165	2-3/8"	P82166	SC-10	P78798
		5-3/8"	2-1/8"	364T	P82162	2-3/8"	P82143	SC-9H*	P82144
		5-3/8"	2-1/8"	364TS	P82165	1-7/8"	N/A	SC-10	P78798
		5-3/8"	2-1/8"	364TS	P82141	1-7/8"	P82158	SC-8H*	P82142
		5-3/8"	2-1/8"	364TS	P82097†	1-7/8"	P82096†	SC-7H*	P82098†
		5-3/8"	2-1/8"	365T	P82169	2-3/8"	P82170	SC-11	P78802
		5-3/8"	2-1/8"	365T	P82162	2-3/8"	P82143	SC-9H*	P82144
		5-3/8"	2-1/8"	365TS	P82169	1-7/8"	N/A	SC-11	P78802
		5-3/8"	2-1/8"	365TS	P82141	1-7/8"	P82158	SC-8H*	P82142
		5-3/8"	2-1/8"	404T	P82169	2-7/8"	P82147	SC-11	P78802
		5-3/8"	2-1/8"	404T	P82165	2-7/8"	P82145	SC-10H*	P82146
		5-3/8"	2-1/8"	404TS	P82169	2-1/8"	P82169	SC-11	P78802
		5-3/8"	2-1/8"	404TS	P82141	2-1/8"	P82141	SC-8H*	P82142
		5-3/8"	2-1/8"	405T	P82165	2-7/8"	P82145	SC-10H*	P82146
	7-3/4"	2-1/8"	405T	N/A	2-7/8"	P81929	SC-12	P81933	
	5-3/8"	2-1/8"	405TS	P82162	2-1/8"	P82162	SC-9H*	P82144	
	7-3/4"	2-1/8"	444TS	N/A	2-3/8"	P81930	SC-12	P81933	
	5-3/8"	2-1/8"	444TS	P82162	2-3/8"	P82143	SC-9H*	P82144	
	5-3/8"	2-1/8"	445TS	P82165	2-3/8"	P82166	SC-10H*	P82146	
10X12X17 10X12X17L	12X14X12½	5-3/8"	2-1/8"	284T	P82141	1-7/8"	P82158	SC-8	P78794
	12X14X12¾L	5-3/8"	2-1/8"	286T	P82162	1-7/8"	P82161	SC-9	P78796
		5-3/8"	2-1/8"	324T	P82162	2-1/8"	P82162	SC-9	P78796
		5-3/8"	2-1/8"	326T	P82097†	2-1/8"	P82097†	SC-7H*	P82098†
		5-3/8"	2-1/8"	364T	P82162	2-3/8"	P82143	SC-9H*	P82144
		5-3/8"	2-1/8"	364TS	P82097†	1-7/8"	P82096†	SC-7H*	P82098†
		5-3/8"	2-1/8"	365T	P82162	2-3/8"	P82143	SC-9H*	P82144
		5-3/8"	2-1/8"	365TS	P82141	1-7/8"	P82158	SC-8H*	P82142
		5-3/8"	2-1/8"	404T	P82162	2-7/8"	P82538‡	SC-9H*	P82144
		5-3/8"	2-1/8"	404TS	P82141	2-1/8"	P82141	SC-8H*	P82142
		5-3/8"	2-1/8"	405T	P82162	2-7/8"	P82538‡	SC-9H*	P82144
		5-3/8"	2-1/8"	405TS	P82162	2-1/8"	P82162	SC-9H*	P82144
		7"	2-1/8"	444T	P82165	3-3/8"	P82539‡	SC-10H*	P82146
		5-3/8"	2-1/8"	444TS	P82162	2-3/8"	P82143	SC-9H*	P82144
	5-3/8"	2-1/8"	445TS	P82165	2-3/8"	P82166	SC-10H*	P82146	
12X14X17½		5-3/8"	2-3/8"	444TS	P82143	2-3/8"	P82143	SC-9H*	P82144
		5-3/8"	2-3/8"	445TS	P82166	2-3/8"	P82166	SC-10H*	P82146
12X14X17½B 12X14X17½L		5-3/8"	2-3/8"	404T	P82143	2-7/8"	P82538	SC-9H*	P82144
		5-3/8"	2-3/8"	405T	P82143	2-7/8"	P82538	SC-9H*	P82144
		7"	2-3/8"	444T	P82166	3-3/8"	P82539	SC-10H*	P82146
		5-3/8"	2-3/8"	445TS	P82166	2-3/8"	P82166	SC-10H*	P82146
		7"	2-3/8"	445T	P82166	3-3/8"	P82539	SC-10H*	P82146

- Factory recommended spare part.

*Indicates coupler with Hytrel sleeve. Type H **should not** be used as direct replacement for EPDM or Neoprene sleeves.

†Used after April, 1986.

‡Used after January, 1994.

N/A - Not Available.

OLD DESIGN SERIES VSC & VSCS COUPLER SELECTION TABLE WITH EPDM COUPLER OPTION (RAIL BASE ONLY)

PUMP		SHAFT GAP	PUMP SHAFT	MOTOR FRAME SIZE	PUMP HALF	MOTOR SHAFT	MOTOR HALF	VENDOR NUMBER	COUPLER SLEEVE
4X4X9¼	5X5X12B	5-3/8"	1-1/8"	326T	P82640	2-1/8"	P82165	SC-10	P78798
4X4X9¼L	5X6X12B								
5X5X9¾B	5X5X12L								
5X6X9¾B	5X6X12L								
6X6X9¾B	6X6X12L	5-3/8"	1-5/8"	326T	P82099	2-1/8"	P82165	SC-10	P78798
6X8X9¾L	8X8X10½	5-3/8"	1-5/8"	364TS	P82099	1-7/8"	P82641	SC-10	P78798
6X6X12	8X10X11¾L	5-3/8"	1-5/8"	365TS	P82642	1-7/8"	P82643	SC-11	P78802
5X6X15½	4X5X14¾	5-3/8"	1-5/8"	326T	P82099	2-1/8"	P82165	SC-10	P78798
		5-3/8"	1-5/8"	364TS	P82099	1-7/8"	P82641	SC-10	P78798
		5-3/8"	1-5/8"	365TS	P82642	1-7/8"	P82643	SC-11	P78802
		5-3/8"	1-5/8"	404TS	P82642	2-1/8"	P82169	SC-11	P78802
		7-3/4"	1-5/8"	405TS	P82644	2-1/8"	P82646	SC-12	P81933
		7-3/4"	1-5/8"	444TS	P82644	2-3/8"	P81930	SC-12	P81933
6X8X9¾	6X8X9¾HL	5-3/8"	1-1/8"	326T	P82640	2-1/8"	P82165	SC-10	P78798
8X8X13B	8X10X13B	5-3/8"	1-5/8"	326T	P82099	2-1/8"	P82165	SC-10	P78798
		5-3/8"	1-5/8"	364TS	P82099	1-7/8"	P82641	SC-10	P78798
		5-3/8"	1-5/8"	365TS	P82642	1-7/8"	P82643	SC-11	P78802
		5-3/8"	1-5/8"	404TS	P82642	2-1/8"	P82169	SC-11	P78802
8X10X17	8X10X17L	5-3/8"	1-5/8"	326T	P82099	2-1/8"	P82165	SC-10	P78798
		5-3/8"	1-5/8"	364T	P82099	2-3/8"	P82166	SC-10	P78798
		5-3/8"	1-5/8"	365T	P82642	2-3/8"	P82170	SC-11	P78802
		5-3/8"	1-5/8"	364TS	P82099	1-7/8"	P82641	SC-10	P78798
		5-3/8"	1-5/8"	365TS	P82642	1-7/8"	P82643	SC-11	P78802
		5-3/8"	1-5/8"	404T	P82642	2-7/8"	P82147	SC-11	P78802
		7-3/4"	1-5/8"	405T	P82644	2-7/8"	P81929	SC-12	P81933
		7-3/4"	1-5/8"	404TS	P82642	2-1/8"	P82169	SC-11	P78802
		7-3/4"	1-5/8"	405TS	P82644	2-1/8"	P82646	SC-12	P81933
		7-3/4"	1-5/8"	444TS	P82644	2-3/8"	P81930	SC-12	P81933
		7-3/4"	1-5/8"	445TS	P82647	2-3/8"	P82649	SC-13	P82174

- Factory recommended spare part.

OLD DESIGN SERIES VSC & VSCS COUPLER SELECTION TABLE WITH EPDM COUPLER OPTION (RAIL BASE ONLY)

PUMP		SHAFT GAP	PUMP SHAFT	MOTOR FRAME SIZE	PUMP HALF	MOTOR SHAFT	MOTOR HALF	VENDOR NUMBER	COUPLER SLEEVE
10X12X11	10X12X11¾L	5-3/8"	1-5/8"	326T	P82099	2-1/8"	P82165	SC-10	P78798
		5-3/8"	1-5/8"	364TS	P82099	1-7/8"	P82641	SC-10	P78798
		5-3/8"	1-5/8"	365TS	P82642	1-7/8"	P82643	SC-11	P78802
		5-3/8"	1-5/8"	404TS	P82642	2-1/8"	P82169	SC-11	P78802
		7-3/4"	1-5/8"	444TS	P82644	2-1/8"	P82646	SC-12	P81933
10X10X13 10X12X13	10X10X13L 10X12X13L	5-3/8"	2-1/8"	326T	P82165	2-1/8"	P82165	SC-10	P78798
		5-3/8"	2-1/8"	364T	P82165	2-3/8"	P82166	SC-10	P78798
		5-3/8"	2-1/8"	365T	P82169	2-3/8"	P82170	SC-11	P78802
		5-3/8"	2-1/8"	364TS	P82165	1-7/8"	P82641	SC-10	P78798
		5-3/8"	2-1/8"	365TS	P82169	1-7/8"	P82643	SC-11	P78802
		5-3/8"	2-1/8"	404TS	P82169	2-1/8"	P82169	SC-11	P78802
		7-3/4"	2-1/8"	405TS	P82646	2-1/8"	P82646	SC-12	P81933
		7-3/4"	2-1/8"	444TS	P82646	2-3/8"	P81930	SC-12	P81933
10X12X17 12X14X12½	10X12X17L 12X14X12¾L	5-3/8"	2-1/8"	326T	P82165	2-1/8"	P82165	SC-10	P78798
		5-3/8"	2-1/8"	364T	P82165	2-3/8"	P82166	SC-10	P78798
		5-3/8"	2-1/8"	365T	P82169	2-3/8"	P82170	SC-11	P78802
		5-3/8"	2-1/8"	364TS	P82165	1-7/8"	P82641	SC-10	P78798
		5-3/8"	2-1/8"	365TS	P82169	1-7/8"	P82643	SC-11	P78802
		5-3/8"	2-1/8"	404T	P82169	2-7/8"	P82147	SC-11	P78802
		7-3/4"	2-1/8"	405T	P82646	2-7/8"	P81929	SC-12	P81933
		5-3/8"	2-1/8"	404TS	P82169	2-1/8"	P82169	SC-11	P78802
		7-3/4"	2-1/8"	405TS	P82646	2-1/8"	P82646	SC-12	P81933
		7-3/4"	2-1/8"	444T	P82646	3-3/8"	P82149	SC-12	P81933
		7-3/4"	2-1/8"	445T	P82648	3-3/8"	P82650	SC-13	P82174
		7-3/4"	2-1/8"	444TS	P82646	2-3/8"	P81930	SC-12	P81933
		7-3/4"	2-1/8"	445TS	P82648	2-3/8"	P82649	SC-13	P82174
		12X14X17½B	12X14X17½L	5-3/8"	2-3/8"	404T	P82170	2-7/8"	P82147
7-3/4"	2-3/8"			405T	P81930	2-7/8"	P81929	SC-12	P81933
7-3/4"	2-3/8"			444T	P81930	3-3/8"	P82149	SC-12	P81933
7-3/4"	2-3/8"			445T	P82649	3-3/8"	P82650	SC-13	P82174
7-3/4"	2-3/8"			445TS	P82649	2-3/8"	P82649	SC-13	P82174

- Factory recommended spare part.

OLD DESIGN SERIES VSC & VSCS ANSI/OSHA COUPLING GUARD & BRACKET KIT SELECTION CHART (FOR EPDM COUPLER)^a

Coupler Guard Kit Part Numbers: 2=186885 3=186888 5=186889 7=185327 10=186942

PUMP SIZE	MOTOR FRAME/GUARD KIT NUMBER																BRACKET KIT												
	182T	184T	213T	215T	254T	256T	284T	284TS	286T	286TS	324T	324TS	326T	326TS	364T	364TS	365T	365TS	404T	404TS	405T	405TS	444T	444TS	445T	445TS	STD & -F for guard size 2 & 3	BOX & -S for guard size 2 & 3	STD & -F for guard size 5-10
4x4x9¼ & 4x4x9¼L	2	2	2	2	2	2	3	2	2	2	2	2	2	2	2	2	2	2	3							186890	186894	N/A	N/A
4x4x9¾	2	2	2	2	2	2	3	2	2	2	2	2	2	2	2	2	2	2	3							186890	186894	N/A	N/A
4x5x14¾ ^b					3	3	3		3		3	3	3		3	7	7									186892	186892	186889	186889
5x5x9¾ & 5x5x9¼B	2	2	2	2	2	2	2	2	2	2	2	2	2	2	2	2	2	2	3							186890	186894	N/A	N/A
5x6x9¾ & 5x6x9¼B	2	2	2	2	2	2	2	2	2	2	2	2	2	2	2	2	2	2	3							186890	186894	N/A	N/A
5x5x12 & 5x5x12B		2	2	2	2	2	2	3	3	3	3	3														186890	186894	N/A	N/A
5x5x12L		2	2	2	2	2	2	3	3	3	3	3														186890	186894	N/A	N/A
5x6x12 & 5x6x12B		2	2	2	2	2	2	3	3	3	3	3														186890	186894	N/A	N/A
5x6x12L		2	2	2	2	2	2	3	3	3	3	3														186890	186894	N/A	N/A
5x6x15½ ^b					3	3	3	3	3	3	3	3			3	7	7		5	5						186892	186892	186939	186939
6x6x9¾ ^b & 6x6x9¼B ^b			3	3	3	3	3		3	3	3	3		3	3	7	7		5	5						186892	186892	186889	186889
6x6x9¾L ^b			3	3	3	3	3	3	3	3	3	3														186892	186892	186889	186889
6x8x9¾ ^b & 6x8x9¼B ^b			3	3	3	3	3		3	3	3	3		3	3	7	7		5	5						186892	186892	186889	186889
6x8x9¾L ^b			3	3	3	3	3	3	3	3	3	3														186892	186892	186889	186889
6x8x9¾H		2	2	2	2	2	2	3	3	3	3	3														186890	186894	N/A	N/A
6x8x9¾HL		2	2	2	2	2	2	3	3	3	3	3														186890	186894	N/A	N/A
6x6x12 ^b & 6x6x12L ^b			3	3	3	3	3	3	3	3	3	3			3											186892	186892	186889	N/A
6x8x12 ^b & 6x8x12L ^b				3	3	3	3	3	3	3	3	3			3											186892	186892	186889	N/A
8x8x10½ ^b				3	3	3	3	3	3	3	3	3			3											185325	186892	185326	185326
8x10x10½ ^b				3	3	3	3	3	3	3	3	3			3											185325	186892	185326	185326
8x8x11¾L ^b				3	3	3	3	3	3	3	3	3			3	7										185325	186892	185326	185326
8x10x11¾L ^b				3	3	3	3	3	3	3	3	3			3	7										185325	186892	185326	185326
8x8x13 ^b & 8x8x13B ^b					3	3	3	3	3	3	3	3			3	7	7									186892	186892	186889	N/A
8x10x13 ^b & 8x10x13B ^b					3	3	3	3	3	3	3	3			3	7	7									186892	186892	186889	N/A
8x10x17 ^b						3	3	3	3	3	3	3		3	3	7	7	7	5	5	5	5	5	10		186892	186892	186920	186920
8x10x17L ^b						3	3	3	3	3	3	3		3	3	7	7	7	5	5	5	5	5	10		186892	186892	186920	186920
10x12x11 ^b					3	3	3	3	3	3	3	3			3	7										185325	186892	185326	185326
10x12x11¾L ^b					3	3	3	3	3	3	3	3			3	7	7	5								185325	186892	185326	185326
10x10x13								3	3	3	3	3			3	7	7	5	5	5	5	5	10		186893	186893	186900*	186900*	
10x10x13L								3	3	3	3	3			3	5	7	7	5	5	5	5	10		186893	186893	186900*	186900*	
10x12x13								3	3	3	3	3			3	7	7	5	5	5	5	5	10		186893	186893	186900*	186900*	
10x12x13L								3	3	3	3	3			3	7	7	4	4	4	4	4	10		186893	186893	186900*	186900*	
10x12x17												3	3		5	5	7	5	5	5	5	5	10		186895	186895	186901*	N/A	
10x12x17L												3	3		5	5	7			5					186897	N/A	186920	N/A	
12x14x12½						3	3	3	3	3	3	3		3	3	5	7	7	5	5	5	5	10		186919	186919	186914	N/A	
12x14x12¾L								3	3	3	3	3		3	3	5	7	5	5	5	5	5	10		186926	N/A	186930*	N/A	
12x14x17½																	5	5	5	5	5	5	10		186896	186896	186902	186902	
12x14x17½B & 12x14x17¾L																	5	5	5	5	5	5	10		186898	186898	186903*	186903*	

^a Pumps with motors thru 25HP/1200 RPM, 40HP/1800 RPM, 50HP/3600 RPM & NEMA 326 frame or below are standard with EPDM sleeve.

^b Flush lines may need to be field modified.

***BRACKET KIT FOR GUARD KIT NO. 10**

In place of:	Use:
186900	185370
186901	185374
186930	185372
186903	185371

HOW TO USE THIS CHART TO SELECT A COUPLER GUARD AND BRACKET KIT

Example (shaded gray above): Pump model is a 6x8x9¾HL with standard construction and a 50 HP, 460V, 3 PH, 1800 RPM, 326T frame motor. The coupler guard kit is 186888, and the bracket kit is 186890.

OLD DESIGN SERIES VSC & VSCS ANSI/OSHA COUPLING GUARD & BRACKET KIT SELECTION CHART (FOR HYTREL COUPLER)^a

Coupler Guard Kit Part Numbers: 2=186885 3=186888 4=186886

PUMP SIZE	MOTOR FRAME/GUARD KIT NUMBER											BRACKET KIT						
	326T	326TS	364T	364TS	365T	365TS	404T	404TS	405T	405TS	444T	444TS	445T	445TS	STD & -F	BOX & -S		
4x4x9¼ & 4x4x9¼L		2		2		2		3							186890	186894		
4x4x9¾		2		2		2		3							186890	186894		
4x5x14¾ ^d		3		3		3		3							186892	186892		
5x5x9¾ & 5x5x9¾B		2		2		2		3							186890	186894		
5x6x9¾ & 5x6x9¾B		2		2		2		3							186890	186894		
5x5x12 & 5x5x12B															186890	186894		
5x5x12L		3													186890	186894		
5x6x12 & 5x6x12B															186890	186894		
5x6x12L		3													186890	186894		
5x6x15½ ^b		3		3		3		3		3		3			186892	186892		
6x6x9¾ ^d & 6x6x9¾B ^d		3		3		3		3		3		3			186892	186892		
6x6x9¾L ^d															186892	186892		
6x8x9¾ ^d & 6x8x9¾B ^d		3		3		3		3		3		3			186892	186892		
6x8x9¾L ^b															186892	186892		
6x8x9¾H															186890	186894		
6x8x9¾HL		3													186890	186894		
6x6x12 ^b & 6x6x12L ^b		3		3											186892	186892		
6x8x12 ^b & 6x8x12L ^b		3		3											186892	186892		
8x8x10½ ^b		3		3											186892	186892		
8x10x10½ ^d		3		3											186892	186892		
8x8x11¾L ^d		3		3		3									186892	186892		
8x10x11¾L ^d		3		3		3									186892	186892		
8x8x13 ^b & 8x8x13B ^b		3		3		3		3							186892	186892		
8x10x13 ^d & 8x10x13B ^d		3		3		3		3							186892	186892		
8x10x17 ^d		3		3		3		3		3		3			N/A	186892		
8x10x17L ^d		3		3		3		3		3		3			186892	N/A		
10x12x11 ^b		3		3		3									186892	186892		
10x12x11¾L ^d		3		3		3		3		3					186892	186892		
10x10x13		3		3		3		3		3		3			186893	186893		
10x10x13L		3		3		3		3		3		3			186893	186893		
10x12x13		3		3		3		3		3		3			186893	186893		
10x12x13L		3		3		3		3		3		3			186893	186893		
10x12x17		3		3		3		3		3		4			N/A	186895		
10x12x17L		3		3		3		3		3		4			186897	N/A		
12x14x12½		3		3		3		3		3		3			N/A	186919		
12x14x12¾L		3		3		3		3		3		3			186926	N/A		
12x14x17½								4		4		4		3	4	3	186898	186898
12x14x17½B & 12x14x17½L								4		4		4		3	4	3	186898	186898

^a Pumps with motors thru 25HP/1200 RPM, 40HP/1800 RPM, 50HP/3600 RPM & NEMA 326 frame or below are standard with EPDM sleeve.

^b Flush lines may need to be field modified.

HOW TO USE THIS CHART TO SELECT A COUPLER GUARD AND BRACKET KIT

Example (shaded gray above): Pump model is a 6x8x9¾HL with standard construction and a 50 HP, 460V, 3 PH, 1800 RPM, 326T frame motor. The coupler guard kit is 186888, and the bracket kit is 186890.



© COPYRIGHT 2007 BY
ITT CORPORATION
PRINTED IN U.S.A. 9-07

ITT
8200 N. Austin Avenue
Morton Grove, Illinois 60053
Phone: (847) 966-3700



**ISO 9001
Certified**