



www.Source1Parts.com

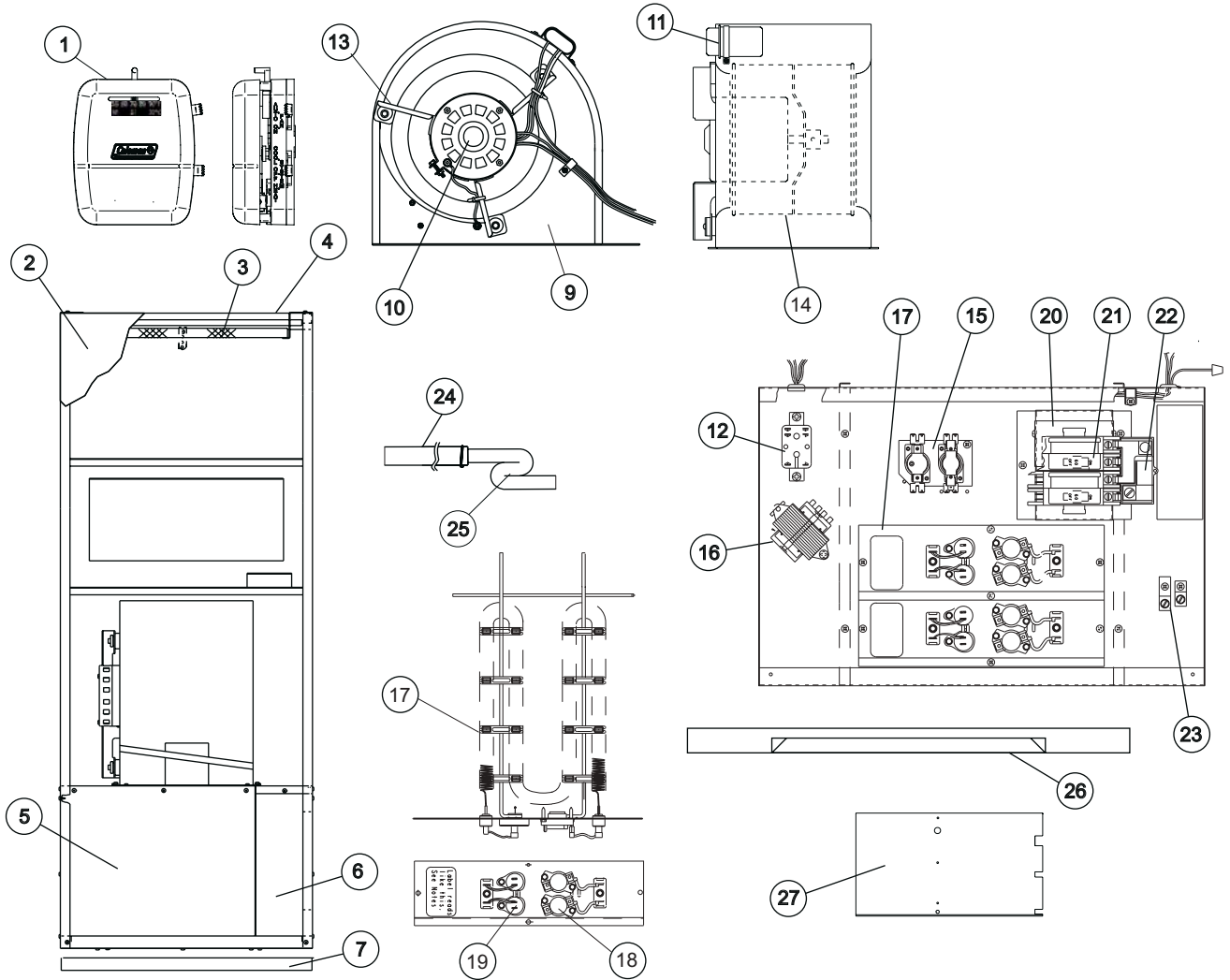
HVAC SERVICE PARTS

# EB SERIES DOWNFLOW ELECTRIC FURNACE (STYLE C)

Supersedes:035-21335-001 Rev. J (1208)

035-21335-001 Rev. K (0410)

1 of 4



ITEM	DESCRIPTION	EB10C	EB12C	EB15C
1	Thermostat (Heat/Cool)	S1-02538746000	S1-02538746000	S1-02538746000
2	Front Panel (Insulated)	3501-9111	3501-9111	3501-9111
	Front Panel (Frt. Return 4-Ton) (Insul)	3501-9211	3501-9211	3501-9211
	Front Panel (Front Return 5-Ton)	3500-1591	3500-1591	3500-1591
3	Filter (16 x 20 x 1)	S1-1214-2511	S1-1214-2511	S1-1214-2511
	Filter (20 x 20 x 1) (Front Return Panel)	S1-1214-2521	S1-1214-2521	S1-1214-2521
4	Support Angle	S1-3500-1861	S1-3500-1861	S1-3500-1861
5	Cover, Electric Box	S1-3500-2351/A	S1-3500-2361/A	S1-3500-2361/A
6	Cover (Service Entrance)	S1-3500-1271	S1-3500-1271	S1-3500-1271
7	Sub-base (Optional)	S1-3500-1071/B	S1-3500-1071/B	S1-3500-1071/B
8*	Sub-base (M10) (Optional)	3500-5221	3500-5221	3500-5221
9	Blower Housing	S1-37323744001	S1-37323744001	S1-37323744001
10	Blower Motor	S1-02427651000	S1-02427651000	S1-02427651000
11	Capacitor (7.5MFD/370V)	S1-02420045000	S1-02420045000	S1-02420045000
12	Relay, Fan	S1-3110-3301	S1-3110-3301	S1-3110-3301
13	Motor Mount Assembly (1PC) (Kit)	S1-37319831002	S1-37319831002	S1-37319831002
14	Blower Wheel	S1-1472-2831	S1-1472-2831	S1-1472-2831
15	Sequencer	S1-3110-3571	S1-3110-3571	S1-3115-3571
16	Transformer (240/24V-40A)	S1-3300-3861	S1-3300-3861	S1-3300-3861
17	Heater Element Assembly w/Limit and Jumper Wire	(9.6Kw) S1-02541236000	(11.2Kw) S1-02541238000	(4.8Kw) & (9.6Kw) S1-02541237000 S1-02541236000
18	Limit Switch	S1-02541249000 (Open 200, Close 60)	S1-02541249000 (Open 200, Close 60)	S1-02541249000 (Open 200, Close 60)
19	Fusible Link	S1-02435663000	S1-02435663000	S1-02435663000
20	Bracket (Circuit Breaker)	3500-128	3500-128	3500-128
21	Circuit Breaker (1 Req'd)	S1-3500-377P/A	---	---
	Circuit Breaker (2 Req'd)	---	S1-3500-377P/A	S1-3500-377P/A
22	Buss Bar (See Note 2)	S1-3500-378P	S1-3500-378P	S1-3500-378P
23	Ground Lug (Large)	1216-231	1216-231	1216-231
	Ground Lug (Small)	---	---	S1-02521798000
24	Drain Tube (See Note 1)	S1-02922184001	S1-02922184001	S1-02922184001
25	Condensate Trap (See Note 1)	S1-3240-3051	S1-3240-3051	S1-3240-3051
26	Coil Shelf (See Note 1)	3500-174	3500-174	3500-174
27	Coil Shelf Panel (See Note 1)	3500-171	3500-171	3500-171
28				
29*	Fuse	S1-02532746026	S1-02532746026	S1-02532746026
30*	Wiring diagram	362926	362927	362928

<

**NOTE:** \*Not Shown

New replacement parts shown in **bold** face type at the first printing of parts list dated 4/10.

Major components and suggested stocking items are shown with shaded item number.

"<" Across from row indicates a change in that row.

--- Not applicable to specified model.

All parts with three digit suffix numbers are "Special Order" parts. These parts are subject to factory availability and require extra time for delivery.

1 Not Standard with furnace, contained in accessory kit no. 3500-8941/B.

2 Standard on EB12C.



ITEM	DESCRIPTION	EB17C	EB20C	EB23C
1	Thermostat (Heat/Cool)	S1-02538746000	S1-02538746000	S1-02538746000
2	Front Panel (Insulated)	3501-9111	3501-9111	3501-9111
	Front Panel (Frt . Return 4-Ton) (Insul)	3501-9211	3501-9211	3501-9211
	Front Panel (Front Return 5-Ton)	3500-1591	3500-1591	3500-1591
3	Filter (16 x 20 x 1)	S1-1214-2511	S1-1214-2511	S1-1214-2511
	Filter (20 x 20 x 1) (Front Return Panel)	S1-1214-2521	S1-1214-2521	S1-1214-2521
4	Support Angle	S1-3500-1861	S1-3500-1861	S1-3500-1861
5	Cover, Electric Box	S1-3500-2361/A	S1-3500-2361/A	S1-3500-2361/A
6	Cover (Service Entrance)	S1-3500-1271	S1-3500-1271	S1-3500-1271
7	Sub-base (Optional)	S1-3500-1071/B	S1-3500-1071/B	S1-3500-1071/B
8*	Sub-base (M10) (Optional)	3500-5221	3500-5221	3500-5221
9	Blower Housing	S1-37323744001	S1-37323744001	S1-37323744001
10	Blower Motor	S1-02427651000	S1-02427651000	S1-02427651000
11	Capacitor (7.5MFD/370V)	S1-02420045000	S1-02420045000	S1-02420045000
12	Relay, Fan	S1-3110-3301	S1-3110-3301	S1-3110-3301
13	Motor Mount Assembly (1PC) (Kit)	S1-37319831002	S1-37319831002	S1-37319831002
14	Blower Wheel	S1-1472-2831	S1-1472-2831	S1-1472-2831
15	Sequencer	S1-3115-3571	S1-3120A3571	S1-3120A3571
16	Transformer (240/24V-40A)	S1-3300-3861	S1-3300-3861	S1-3300-3861
17	Heater Element Assembly w/Limit and Jumper Wire	(5.6Kw) & (10.4Kw) S1-02541239000 S1-02541240000	2 Ea. (9.6Kw) S1-02541236000	(10.4Kw) & (11.2Kw) S1-02541240000 S1-02541238000
18	Limit Switch	S1-02541249000 (Open 200, Close 60)	S1-02541249000 (Open 200, Close 60)	S1-02541249000 (Open 200, Close 60)
19	Fusible Link	S1-02435663000	S1-02435663000	S1-02435663000
20	Bracket (Circuit Breaker)	3500-128	3500-128	3500-128
21	Circuit Breaker (2 Req'd) (See Note 2)	S1-3500-377P/A	S1-3500-377P/A	S1-3500-377P/A
22	Buss Bar	S1-3500-378P	S1-3500-378P	S1-3500-378P
23	Ground Lug (Large)	1216-231	1216-231	1216-231
	Ground Lug (Small)	S1-02521798000	S1-02521798000	S1-02521798000
24	Drain Tube (See Note 1)	S1-02922184001	S1-02922184001	S1-02922184001
25	Condensate Trap (See Note 1)	S1-3240-3051	S1-3240-3051	S1-3240-3051
26	Coil Shelf (See Note 1)	3500-174	3500-174	3500-174
27	Coil Shelf Panel (See Note 1)	3500-171	3500-171	3500-171
28				
29*	Fuse	S1-02532746026	S1-02532746026	S1-02532746026
30*	Wiring diagram	362929	362930	363061

**NOTE:** \*Not Shown

New replacement parts shown in **bold** face type at the first printing of parts list dated 4/10.

Major components and suggested stocking items are shown with shaded item number.

"<" Across from row indicates a change in that row.

--- Not applicable to specified model.

All parts with three digit suffix numbers are "Special Order" parts. These parts are subject to factory availability and require extra time for delivery.

1 Not Standard with furnace, contained in accessory kit no. 3500-8941/B

**TO ORDER AUTHORIZED FACTORY REPLACEMENT PARTS** - Contact your Source1 HVAC Parts Distributor or visit our website at [www.Source1Parts.com](http://www.Source1Parts.com) for a Distributor and Dealer listing.

Subject to change without notice. Printed in U.S.A.  
Copyright © 2010 by Johnson Controls, Inc. All rights reserved.

035-21335-001 Rev. K (0410)  
Supersedes: 035-21335-001 Rev. J (1208)

---

**Johnson Controls Unitary Products**  
5005 York Drive  
Norman, OK 73069