



www.Source1Parts.com

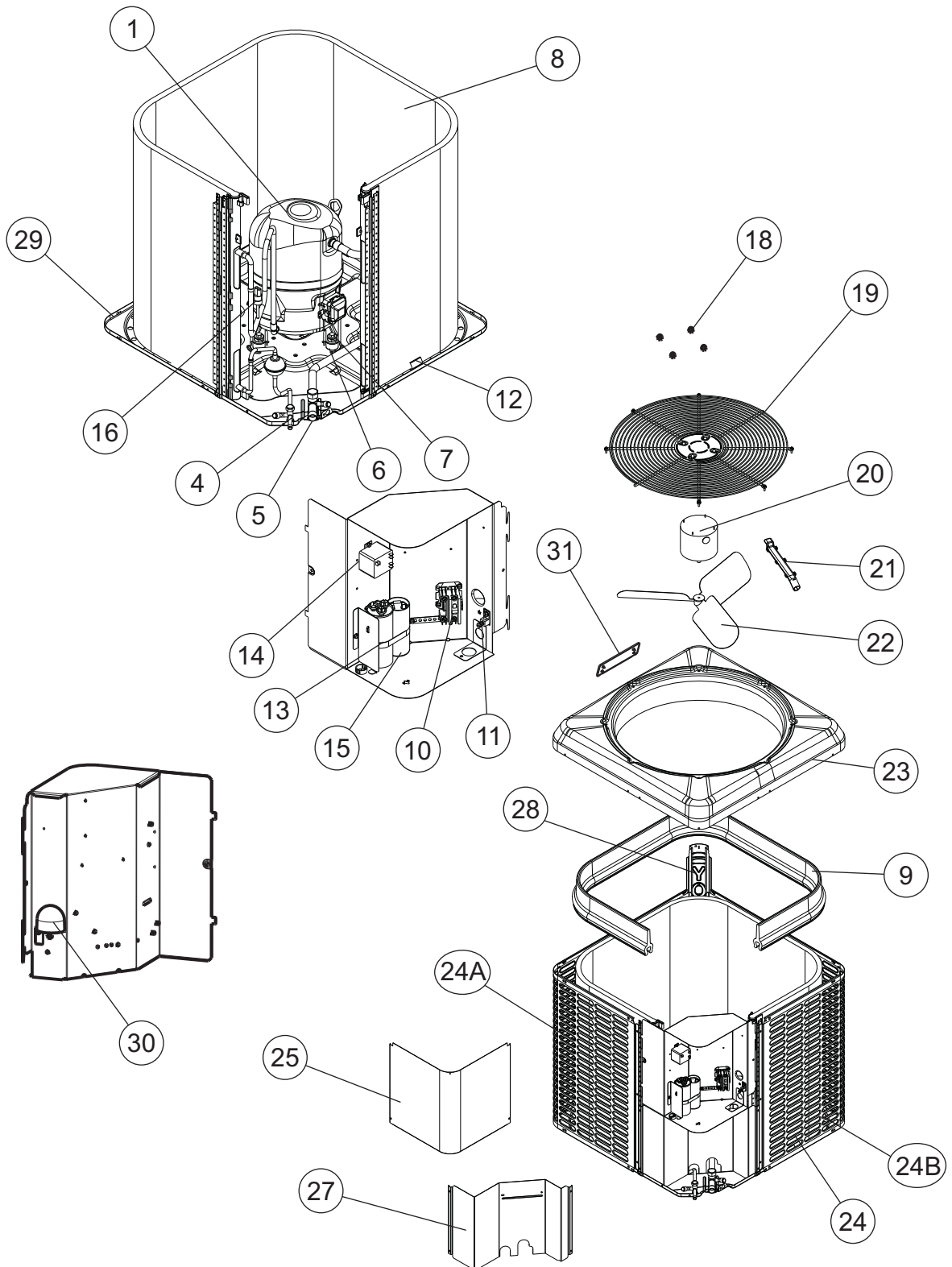
YCD SERIES - MICROCHANNEL 13 SEER AIR CONDITIONER - R410A W/FACTORY HARD START (STYLE A)

HVAC SERVICE PARTS

Supersedes:035-24559-001 Rev. C (0317)

035-24559-001 Rev. D (1217)

1 of 4



ITEM	DESCRIPTION	YCD18B21HA	YCD24B21HA	YCD30B21HA
1	Compressor	S1-01504819004	S1-01504823004	S1-01504782001
2				
3	Filter Drier	S1-400503	S1-400503	S1-400503
4	Base Valve (3/8") (Liquid)	S1-02322459000	S1-02322459000	S1-02322459000
5	Base Valve (3/4") (Suction)	S1-02322460000	S1-02322460000	S1-02322460000
6	Compressor Mount (Pkg. of 4)	S1-02809519000	S1-02809519000	S1-02809519000
7	Bolt, Compressor (4 Req'd)	S1-02131417000	S1-02131417000	S1-02131417000
8	Outdoor Coil Assembly	S1-37339421006	S1-37339421007	S1-37339421008
9	Molded Foam, Outdoor Coil	S1-02817066000	S1-02817066000	S1-02817066000
10	Contactora (30 amp)	S1-02427531000	S1-02427531000	S1-02427531000
11	Lug, Ground	S1-02521798000	S1-02521798000	S1-02521798000
12	Mount, Coil (6 Req'd)	S1-02817063000	S1-02817063000	S1-02817063000
13	Dual Capacitor (30/5 MFD)	S1-02424778700	---	---
	Dual Capacitor (35/5 MFD)	---	S1-02425859700	---
	Dual Capacitor (40/5 MFD)	---	---	S1-02425894700
14	Relay, Start	S1-02425391700	S1-02425391700	S1-02425060000
15	Capacitor, Start	S1-02431993000	S1-02431993000	S1-02431993000
16	Switch, Pressure (High)	S1-02546848000	S1-02546848000	S1-02546848000
17*	Mount, Stand-off, Coil Guard(2 Req'd)	S1-02817062000	S1-02817062000	S1-02817062000
18	Kit, Motor Mounting (Acorn Nuts)	S1-36390117700	S1-36390117700	S1-36390117700
19	Guard, Fan	S1-02647768000	S1-02647768000	S1-02647768000
20	Motor, Fan	S1-02436228000	S1-02436228000	S1-02436228000
21	Wireway	S1-02816467000	S1-02816467000	S1-02816467000
22	Blade, Fan	S1-02642444000	S1-02634754000	S1-02634754000
23	Top	S1-07339395001	S1-07339395001	S1-07339395001
24	Panel, Coil Guard (2 Req'd)	S1-07339398032	S1-07339398034	S1-07339398036
24A	Panel, Coil Guard (LH)	---	---	---
24B	Panel, Coil Guard (RH)	---	---	---
25	Cover, Control Box	S1-07339400001	S1-07339400001	S1-07339400001
26	Box, Control	S1-07339396001	S1-07339396001	S1-07339396001
27	Panel, Block-Off	S1-07339399017	S1-07339399020	S1-07339399022
28	Post, Corner	S1-07339401012	S1-07339401014	S1-07339401001
29	Pan, Base	S1-07339397001	S1-07339397001	S1-07339397001
30	Gasket, Rain Guard	S1-02817106000	S1-02817106000	S1-02817106000
31	Badge, Branding	S1-02816476000	S1-02816476000	S1-02816476000
32*	Harness, Wire, AC	S1-02547245000	S1-02547245000	S1-02547245000
33*	Harness, Wire, Start Component	S1-02547246000	S1-02547246000	S1-02547246000
34				
35*	Harness, Compressor	S1-02531884000	S1-02531884000	S1-02531884000
36*	Orifice, Refrigerant (0.047)	S1-02926855000	---	---
	Orifice, Refrigerant (0.057)	---	S1-02926856000	---
	Orifice, Refrigerant (0.063)	---	---	S1-02926857000
37*	Wiring Diagram	1183564	1183564	1183564

NOTE: *Not Shown

New replacement parts shown in **bold** face type at the first printing of parts list dated 12/17.

Major components and suggested stocking items are shown with shaded item number.

"<" Across from row indicates a change in that row.

--- Not applicable to specified model.

ITEM	DESCRIPTION	YCD36B21HA	YCD42B21HA
1	Compressor	S1-01504821004	S1-01504822004
2*	Muffler	---	S1-02212983000
3	Filter Drier	S1-400503	S1-400503
4	Base Valve (3/8") (Liquid)	S1-02322459000	S1-02322459000
5	Base Valve (3/4") (Suction)	S1-02322460000	---
	Base Valve (7/8") (Suction)	---	S1-02322461000
6	Compressor Mount (Pkg. of 4)	S1-02809519000	S1-02810505000
7	Bolt, Compressor (4 Req'd)	S1-02131417000	S1-02131417000
8	Outdoor Coil Assembly	S1-37339413001	S1-37339421009
9	Molded Foam, Outdoor Coil	S1-02817066000	S1-02817069000
10	Contactora (30 amp)	S1-02427531000	S1-02427531000
11	Lug, Ground	S1-02521798000	S1-02521798000
12	Mount, Coil (6 Req'd)	S1-02817063000	S1-02817063000
13	Dual Capacitor (45/5 MFD)	S1-02425120700	S1-02425120700
14	Relay, Start	S1-02425035000	S1-02425053000
15	Capacitor, Start	S1-02436283000	S1-02436283000
16	Switch, Pressure (High)	S1-02546848000	S1-02546848000
17*	Mount, Stand-off, Coil Guard(2 Req'd)	S1-02817062000	S1-02817062000
18	Kit, Motor Mounting (Acorn Nuts)	S1-36390117700	S1-36390117700
19	Guard, Fan	S1-02647768000	S1-02647769000
20	Motor, Fan	S1-02436243000	S1-02436227000
21	Wireway	S1-02816467000	S1-02816468000
22	Blade, Fan	S1-02634092000	S1-02634593000
23	Top	S1-07339395001	S1-07339395004
24	Panel, Coil Guard (2 Req'd)	S1-07339398001	S1-07339398038
24A	Panel, Coil Guard (LH)	---	---
24B	Panel, Coil Guard (RH)	---	---
25	Cover, Control Box	S1-07339400001	S1-07339400004
26	Box, Control	S1-07339396001	S1-07339486001
27	Panel, Block-Off	S1-07339399001	S1-07339399024
28	Post, Corner	S1-07339401002	S1-07339401014
29	Pan, Base	S1-07339397001	S1-07339397002
30	Gasket, Rain Guard	S1-02817106000	S1-02817106000
31	Badge, Branding	S1-02816476000	S1-02816476000
32*	Harness, Wire, AC	S1-02547245000	S1-02547245000
33*	Harness, Wire, Start Component	S1-02547246000	S1-02547246000
34			
35*	Harness, Compressor	S1-02531884000	S1-02531884000
36*	Orifice, Refrigerant (0.067)	S1-02926858000	---
	Orifice, Refrigerant (0.073)	---	S1-02926859000
367	Wiring Diagram	1183564	1183564

NOTE: *Not ShownNew replacement parts shown in **bold** face type at the first printing of parts list dated 12/17.

Major components and suggested stocking items are shown with shaded item number.

"←" Across from row indicates a change in that row.

--- Not applicable to specified model.

TO ORDER AUTHORIZED FACTORY REPLACEMENT PARTS - Contact your Source1 HVAC Parts Distributor or visit our website at www.Source1Parts.com for a Distributor and Dealer listing.