



www.Source1Parts.com

D5NZ SERIES - 13 SEER SINGLE PACKAGED GAS/ELECTRIC AIR CONDITIONER (R-410A, STYLE A)

HVAC SERVICE PARTS

Supersedes: Nothing

035-23405-001 Rev. A (0912)

1 of 14

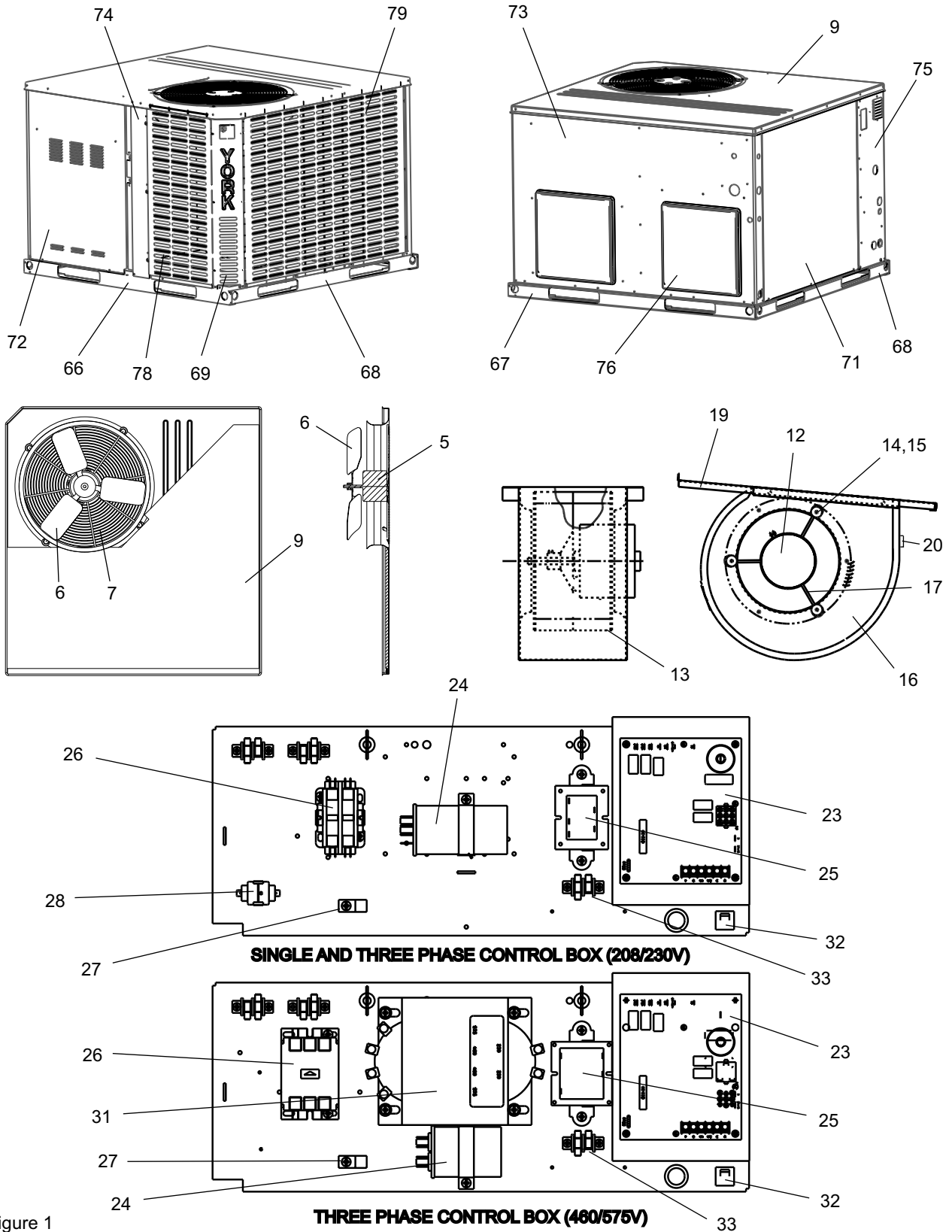


Figure 1

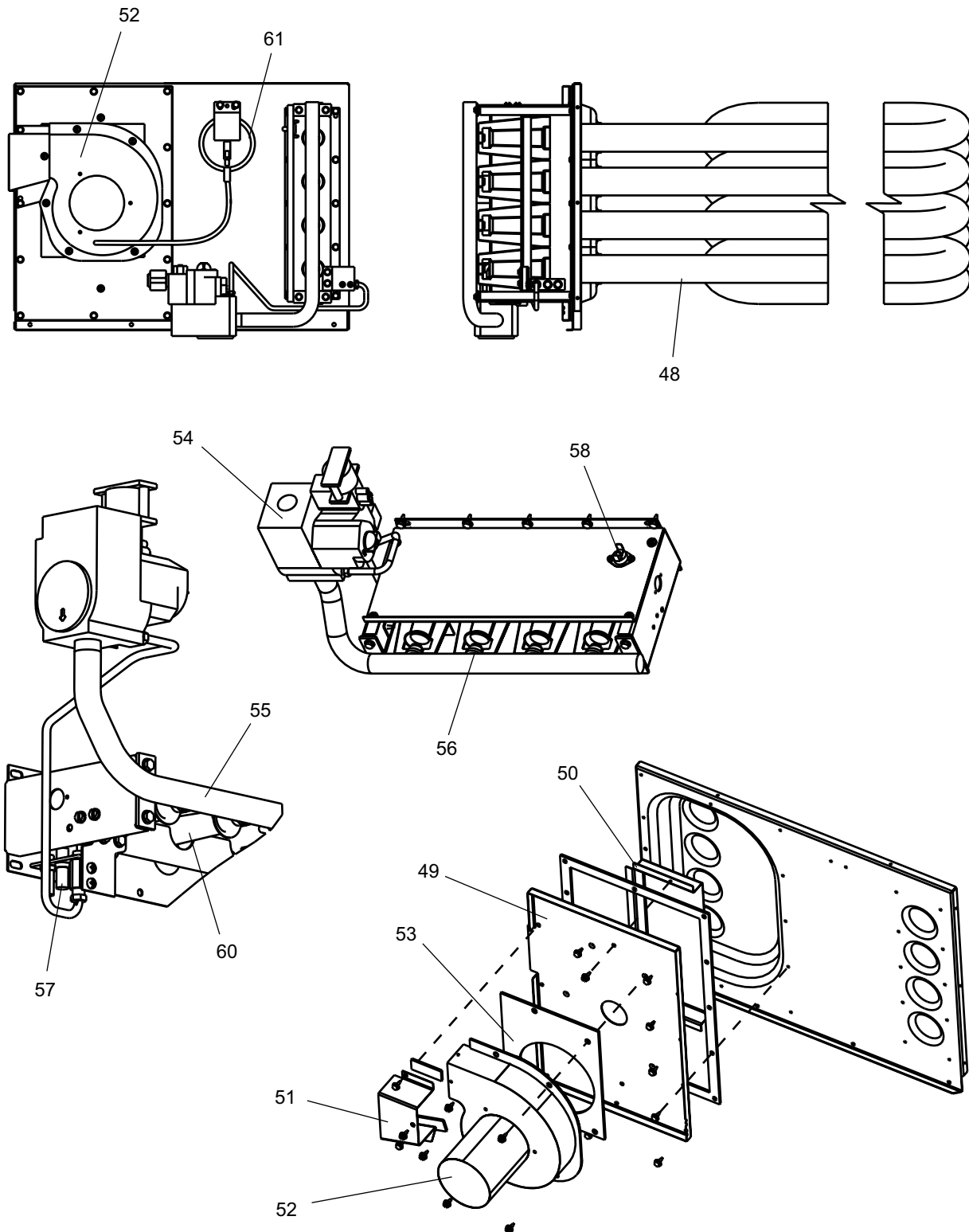


Figure 2

ITEM	FIG	DESCRIPTION	D5NZ048D09006A	D5NZ048D11006A	D5NZ048N06506A	D5NZ048N06525A
Compressors						
1	3	Compressor	S1-01504291004	S1-01504291004	S1-01504291004	S1-01503943004
2	3	Cushion Mount	S1-02810581000	S1-02810581000	S1-02810581000	S1-02810581000
3	3	Bolt, Compressor	S1-02117116000	S1-02117116000	S1-02117116000	S1-02117116000
Condensor Fan Motor & Air Moving Components						
5	1	Motor, Fan	S1-02424117003	S1-02424117103	S1-02424117003	S1-02424117103
6	1	Blade, Fan	S1-02639408000	S1-02639408000	S1-02639408000	S1-02639408000
7	1	Guard, Fan	S1-02646742000	S1-02646742000	S1-02646742000	S1-02646742000
8	*	Wireway(26")	S1-02810070000	S1-02810070000	S1-02810070000	S1-02810070000
9	1	Roof, Condenser	S1-37328308000	S1-37328308000	S1-37328308000	S1-37328308000
10	*	Kit, Acorn Nut	S1-36390117700	S1-36390117700	S1-36390117700	S1-36390117700
Indoor Blower Motor & Air Moving Components						
12	1	Motor, Blower, Programmed	S1-02435706005	S1-02435706005	S1-02435706005	S1-02435706005
		Motor, Blower, Unprogrammed	S1-02435315000	S1-02435315000	S1-02435315000	S1-02435315000
13	1	Wheel, Blower	Included in item #16	Included in item #16	Included in item #16	Included in item #16
14	1	Grommet, Motor Mount (3 Req'd)	S1-02814740000	S1-02814740000	S1-02814740000	S1-02814740000
15	1	Ferrule, Motor Mount (3 Req'd)	S1-02320541000	S1-02320541000	S1-02320541000	S1-02320541000
16	1	Housing, Blower	S1-02642533000	S1-02642533000	S1-02642533000	S1-02642533000
17	1	Assembly, Motor Mount	S1-07328479000	S1-07328479000	S1-07328479000	S1-07328479000
18	*	Cutoff, Blower	---	---	---	---
19	1	Plate, Blower	S1-07316301001	S1-07316301001	S1-07316301001	S1-07316301001
20	1	Switch,Aux Limit, Manual Reset	S1-02531834000	S1-02531834000	S1-02531834000	S1-02531834000
Electric Box						
22						
23	1	Board, Control	S1-03109174000	S1-03109174000	S1-03109175000	S1-03109175000
24	1	Capacitor, Dual Run	S1-02427558000	S1-02427558000	S1-02427558000	---
		Capacitor, Single Run	---	---	---	S1-02420045700
25	1	Transformer	S1-02518452700	S1-02518452700	S1-02518452700	S1-02525973700
26	1	Contacto	S1-02425840700	S1-02425840700	S1-02425840700	S1-02435803000
27	1	Lug, Electrical	S1-02521798000	S1-02521798000	S1-02521798000	S1-02521798000
28	1	Assist, Motor Start	---	---	---	S1-02425084000
29	*	Harness, Wire, Control	S1-02541213000	S1-02541213000	S1-02541216000	S1-02541216000
30	*	Diagram, Wiring	851727	851727	848766	851400
31	1	Breaker, Circuit	---	---	---	S1-02434532000
Evaporator Coil, Condensor Coil, and Piping Components						
36	3	Coil, Evaporator	S1-37329037000	S1-37329037000	S1-37329037000	S1-37329037000
37	3	TXV	S1-02542691000	S1-02542691000	S1-02542691000	S1-02542691000
38	3	Coil, Condenser	S1-37328296000	S1-37328296000	S1-37328296000	S1-37328296000
39	3	Switch, High Pressure	S1-02538728000	S1-02538728000	S1-02538728000	S1-02538728000
40	3	Switch, Low Pressure	S1-02539909000	S1-02539909000	S1-02539909000	S1-02539909000
41	3	Filter Drier	S1-52634088000	S1-52634088000	S1-52634088000	S1-52634088000
42	3	Connector Tee, Pres Sw. (2 Req'd)	S1-02322437000	S1-02322437000	S1-02322437000	S1-02322437000
43	*	Valve, Schraeder (4 Req'd)	S1-02202475700	S1-02202475700	S1-02202475700	S1-02202475700
44	*	Cap, Seal (2 Req'd)	S1-02310745000	S1-02310745000	S1-02310745000	S1-02310745000
Heating Section, Vent, Blower, and Gas Control Components						
48	2	Heat Exchanger Assy	S1-37316471704	S1-37316471705	S1-37316471703	S1-37316471703
49	2	Plate, Restrictor	S1-07319348004	S1-07319348005	S1-07319347003	S1-07319348003
50	2	Baffle, Restrictor	S1-07314993002	---	S1-07314993002	S1-07314993002
51	2	Flue, Exhaust	S1-07319344000	S1-07319344000	S1-07319344000	S1-07319344000
52	2	Blower, Vent	S1-02646427000	S1-02646427000	S1-02633999001	S1-02633999001
53	2	Gasket, Vent Blower	S1-02812467000	S1-02812467000	S1-02812467000	S1-02812467000
54	2	Valve, Gas	S1-02541218000	S1-02541218000	S1-VR8204M1026	S1-VR8204M1026
55	2	Manifold, Gas	S1-02921198000	S1-02921198000	S1-02921198000	S1-02921198000
56	2	Orifice, Gas (#40)	S1-02920423040	S1-02920423040	S1-02920423040	S1-02920423040
57	2	Ignitor, Spark, Pilot	S1-02541219000	S1-02541219000	S1-02541219000	S1-02541219000
58	2	Switch, Control Rollout	S1-02531812000	S1-02531812000	S1-02531812000	S1-02530862000
59	*	Switch, Limit, Auto Reset	S1-02530861000	S1-02537494000	S1-02531814000	S1-02531814000
60	2	Burner, Gas	S1-02921180000	S1-02921180000	S1-02921180000	S1-02921180000
61	2	Switch, Air Pressure	S1-02435707000	S1-02435707000	S1-02425975000	S1-02425975000
62	*	Gasket, High Temp	S1-02811648000	S1-02811648000	S1-02811648000	S1-02811648000

NOTE: *Not Shown
 New replacement parts shown in **bold** face type at the first printing of parts list dated 9/12.
 Major components and suggested stocking items are shown with shaded item number.
 "←" Across from row indicates a change in that row.
 --- Not applicable to specified model.



ITEM	FIG	DESCRIPTION	D5NZ048D09006A	D5NZ048D11006A	D5NZ048N06506A	D5NZ048N06525A
Sheet Metal Components						
66	1	Base Rail, Front	S1-07319413000	S1-07319413000	S1-07319413000	S1-07319413000
67	1	Base Rail, Back	S1-07319414000	S1-07319414000	S1-07319414000	S1-07319414000
68	1	Base Rail, Side (2 Req'd)	S1-07319415000	S1-07319415000	S1-07319415000	S1-07319415000
69	1	Post, Corner Assy	S1-37327359000	S1-37327359000	S1-37327359000	S1-37327359000
71	1	Panel, Access, Blower	S1-37314979002	S1-37314979002	S1-37314979002	S1-37314979002
72	1	Panel, Access, Heater	S1-07314981002	S1-07314981002	S1-07314981002	S1-07314981002
73	1	Panel, Duct	S1-37319412007	S1-37319412007	S1-37319412007	S1-37319412007
74	1	Post, Corner Assy, Front	S1-07328306000	S1-07328306000	S1-07328306000	S1-07328306000
75	1	Post, Corner Assy, Left Front	S1-07320121000	S1-07320120000	S1-07320120000	S1-07320120000
76	1	Duct Cover (2 Req'd)	S1-37314853000	S1-37314853000	S1-37314853000	S1-37314853000
77	*	Screen, Flue	S1-02634000000	S1-02634000000	S1-02634000000	S1-02634000000
78	1	Coil Guard, (Front)	S1-02645703000	S1-02645703000	S1-02645703000	S1-02645703000
79	1	Coil Guard, (Side)	S1-02634573000	S1-02634573000	S1-02634573000	S1-02634573000
80	*	Hood, Flue, Exhaust Outlet	S1-07314988000	S1-07314988000	S1-07314988000	S1-07314988000
81						
83	*	Kit, Filter Rack				S1-37317295000
84	*	Filter, Air, Alum				S1-02533202008
Drain Pan & Accessories						
87	*	Pan, Drain	S1-03200177001	S1-03200177001	S1-03200177001	S1-03200177001
88	*	Plug, Drain Pan	S1-02812480000	S1-02812480000	S1-02812480000	S1-02812480000
89	*	Drain Fitting	S1-7430-3011	S1-7430-3011	S1-7430-3011	S1-7430-3011
90	*	Tubing, Drain	S1-02815480000	S1-02815480000	S1-02815480000	S1-02815480000

NOTE: *Not Shown
 New replacement parts shown in **bold** face type at the first printing of parts list dated 9/12.
 Major components and suggested stocking items are shown with shaded item number.
 "<" Across from row indicates a change in that row.
 --- Not applicable to specified model.

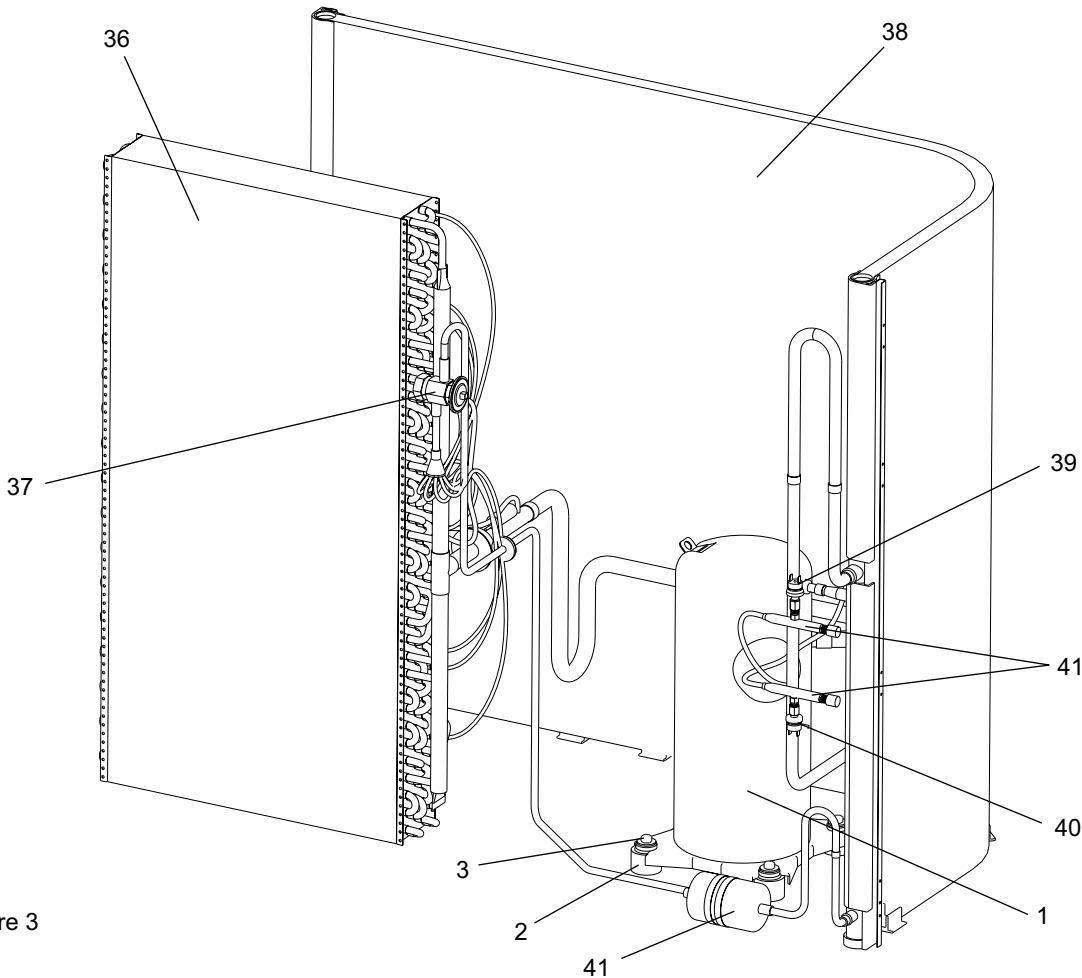


Figure 3

ITEM	FIG	DESCRIPTION	D5NZ048N06546A	D5NZ048N09006A	D5NZ048N09025A	D5NZ048N09046A
Compressors						
1	3	Compressor	S1-01503944004	S1-01504291004	S1-01503943004	S1-01503944004
2	3	Cushion Mount	S1-02810581000	S1-02810581000	S1-02810581000	S1-02810581000
3	3	Bolt, Compressor	S1-02117116000	S1-02117116000	S1-02117116000	S1-02117116000
Condensor Fan Motor & Air Moving Components						
5	1	Motor, Fan	S1-02425913700	S1-02424117003	S1-02424117003	S1-02425913700
6	1	Blade, Fan	S1-02639408000	S1-02639408000	S1-02639408000	S1-02639408000
7	1	Guard, Fan	S1-02646742000	S1-02646742000	S1-02646742000	S1-02646742000
8	*	Wireway(26")	S1-02810070000	S1-02810070000	S1-02810070000	S1-02810070000
9	1	Roof, Condenser	S1-37328308000	S1-37328308000	S1-37328308000	S1-37328308000
10	*	Kit, Acorn Nut	S1-36390117700	S1-36390117700	S1-36390117700	S1-36390117700
Indoor Blower Motor & Air Moving Components						
12	1	Motor, Blower, Programmed	S1-02435706005	S1-02435706005	S1-02435706005	S1-02435706005
		Motor, Blower, Unprogrammed	S1-02435315000	S1-02435315000	S1-02435315000	S1-02435315000
13	1	Wheel, Blower	Included in item #16	Included in item #16	Included in item #16	Included in item #16
14	1	Grommet, Motor Mount (3 Req'd)	S1-02814740000	S1-02814740000	S1-02814740000	S1-02814740000
15	1	Ferrule, Motor Mount (3 Req'd)	S1-02320541000	S1-02320541000	S1-02320541000	S1-02320541000
16	1	Housing, Blower	S1-02642533000	S1-02642533000	S1-02642533000	S1-02642533000
17	1	Assembly, Motor Mount	S1-07328479000	S1-07328479000	S1-07328479000	S1-07328479000
18	*	Cutoff, Blower	---	---	---	---
19	1	Plate, Blower	S1-07316301001	S1-07316301001	S1-07316301001	S1-07316301001
20	1	Switch,Aux Limit, Manual Reset	S1-02531834000	S1-02531834000	S1-02531834000	S1-02531834000
Electric Box						
22						
23	1	Board, Control	S1-03109175000	S1-03109175000	S1-03109175000	S1-03109175000
24	1	Capacitor, Dual Run	---	S1-02427558000	---	---
		Capacitor, Single Run	S1-02420045700	---	S1-02420045700	S1-02420045700
25	1	Transformer	S1-02525974700	S1-02525973700	S1-02525973700	S1-02525974700
26	1	Contacto	S1-02435803000	S1-02425840700	S1-02435803000	S1-02435803000
27	1	Lug, Electrical	S1-02521798000	S1-02521798000	S1-02521798000	S1-02521798000
28	1	Assist, Motor Start	---	---	---	---
29	*	Harness, Wire, Control	S1-02541216000	S1-02541216000	S1-02541216000	S1-02541216000
30	*	Diagram, Wiring	848982	848766	851400	848982
31	1	Transformer	S1-02539924000	---	---	S1-02539924000
32	1	Breaker, Circuit	S1-02434532000	---	S1-02434532000	S1-02434532000
33	1	Block, Terminal	S1-02523083000	---	---	S1-02523083000
Evaporator Coil, Condensor Coil, and Piping Components						
36	3	Coil, Evaporator	S1-37329037000	S1-37329037000	S1-37329037000	S1-37329037000
37	3	TXV	S1-02542691000	S1-02542691000	S1-02542691000	S1-02542691000
38	3	Coil, Condenser	S1-37328296000	S1-37328296000	S1-37328296000	S1-37328296000
39	3	Switch, High Pressure	S1-02538728000	S1-02538728000	S1-02538728000	S1-02538728000
40	3	Switch, Low Pressure	S1-02539909000	S1-02539909000	S1-02539909000	S1-02539909000
41	3	Filter Drier	S1-52634088000	S1-52634088000	S1-52634088000	S1-52634088000
42	3	Connector Tee, Pres Sw. (2 Req'd)	S1-02322437000	S1-02322437000	S1-02322437000	S1-02322437000
43	*	Valve, Schraeder (4 Req'd)	S1-02202475700	S1-02202475700	S1-02202475700	S1-02202475700
44	*	Cap, Seal (2 Req'd)	S1-02310745000	S1-02310745000	S1-02310745000	S1-02310745000
Heating Section, Vent, Blower, and Gas Control Components						
48	2	Heat Exchanger Assy	S1-37316471703	S1-37316471704	S1-37316471704	S1-37316471704
49	2	Plate, Restrictor	S1-07319348003	S1-07319348004	S1-07319348004	S1-07319348004
50	2	Baffle, Restrictor	S1-07314993002	S1-07314993002	S1-07314993002	S1-07314993002
51	2	Flue, Exhaust	S1-07319344000	S1-07319344000	S1-07319344000	S1-07319344000
52	2	Blower, Vent	S1-02633999001	S1-02633999001	S1-02633999001	S1-02633999001
53	2	Gasket, Vent Blower	S1-02812467000	S1-02812467000	S1-02812467000	S1-02812467000
54	2	Valve, Gas	S1-VR8204M1026	S1-VR8204M1026	S1-VR8204M1026	S1-VR8204M1026
55	2	Manifold, Gas	S1-02921198000	S1-02921198000	S1-02921198000	S1-02921198000
56	2	Orifice, Gas (#40)	S1-02920423040	S1-02920423040	S1-02920423040	S1-02920423040
57	2	Ignitor, Spark, Pilot	S1-02541219000	S1-02541219000	S1-02541219000	S1-02541219000
58	2	Switch, Control Rollout	S1-02530862000	S1-02530862000	S1-02531812000	S1-02531812000
59	*	Switch, Limit, Auto Reset	S1-02531814000	S1-02530861000	S1-02531835000	S1-02530861000
60	2	Burner, Gas	S1-02921180000	S1-02921180000	S1-02921180000	S1-02921180000
61	2	Switch, Air Pressure	S1-02425975000	S1-02425975000	S1-02425975000	S1-02425975000
62	*	Gasket, High Temp	S1-02811648000	S1-02811648000	S1-02811648000	S1-02811648000

NOTE: *Not Shown
 New replacement parts shown in **bold** face type at the first printing of parts list dated 9/12.
 Major components and suggested stocking items are shown with shaded item number.
 "<" Across from row indicates a change in that row.
 --- Not applicable to specified model.



ITEM	FIG	DESCRIPTION	D5NZ048N06546A	D5NZ048N09006A	D5NZ048N09025A	D5NZ048N09046A
Sheet Metal Components						
66	1	Base Rail, Front	S1-07319413000	S1-07319413000	S1-07319413000	S1-07319413000
67	1	Base Rail, Back	S1-07319414000	S1-07319414000	S1-07319414000	S1-07319414000
68	1	Base Rail, Side (2 Req'd)	S1-07319415000	S1-07319415000	S1-07319415000	S1-07319415000
69	1	Post, Corner Assy	S1-37327359000	S1-37327359000	S1-37327359000	S1-37327359000
71	1	Panel, Access, Blower	S1-37314979002	S1-37314979002	S1-37314979002	S1-37314979002
72	1	Panel, Access, Heater	S1-07314981002	S1-07314981002	S1-07314981002	S1-07314981002
73	1	Panel, Duct	S1-37319412007	S1-37319412007	S1-37319412007	S1-37319412007
74	1	Post, Corner Assy, Front	S1-07328306000	S1-07328306000	S1-07328306000	S1-07328306000
75	1	Post, Corner Assy, Left Front	S1-07320121000	S1-07320121000	S1-07320121000	S1-07320121000
76	1	Duct Cover (2 Req'd)	S1-37314853000	S1-37314853000	S1-37314853000	S1-37314853000
77	*	Screen, Flue	S1-02634000000	S1-02634000000	S1-02634000000	S1-02634000000
78	1	Coil Guard, (Front)	S1-02645703000	S1-02645703000	S1-02645703000	S1-02645703000
79	1	Coil Guard, (Side)	S1-02634573000	S1-02634573000	S1-02634573000	S1-02634573000
80	*	Hood, Flue, Exhaust Outlet	S1-07314988000	S1-07314988000	S1-07314988000	S1-07314988000
81						
83	*	Kit, Filter Rack	S1-37315868000	---	S1-37315868000	S1-37315868000
84	*	Filter, Air, Alum.	S1-02633202006	---	S1-02633202006	S1-02633202006
Drain Pan & Accessories						
87	*	Pan, Drain	S1-03200177001	S1-03200177001	S1-03200177001	S1-03200177001
88	*	Plug, Drain Pan	S1-02812480000	S1-02812480000	S1-02812480000	S1-02812480000
89	*	Drain Fitting	S1-7430-3011	S1-7430-3011	S1-7430-3011	S1-7430-3011
90	*	Tubing, Drain	S1-02815480000	S1-02815480000	S1-02815480000	S1-02815480000

NOTE: *Not Shown
 New replacement parts shown in **bold** face type at the first printing of parts list dated 9/12.
 Major components and suggested stocking items are shown with shaded item number.
 “<” Across from row indicates a change in that row.
 --- Not applicable to specified model.



ITEM	FIG	DESCRIPTION	D5NZ048N11006A	D5NZ048N11025A	D5NZ048N11046A	D5NZ060D09006A
Compressors						
1	3	Compressor	S1-01504921004	S1-01503943004	S1-01503944004	S1-01503932004
2	3	Cushion Mount	S1-02810581000	S1-02810581000	S1-02810581000	S1-02810581000
3	3	Bolt, Compressor	S1-02117116000	S1-02117116000	S1-02117116000	S1-02116047000
Condensor Fan Motor & Air Moving Components						
5	1	Motor, Fan	S1-02424117003	S1-02424117003	S1-02425913700	S1-02435924000
6	1	Blade, Fan	S1-02639408000	S1-02639408000	S1-02639408000	S1-02646410000
7	1	Guard, Fan	S1-02646742000	S1-02646742000	S1-02646742000	S1-02646742000
8	*	Wireway(26")	S1-02810070000	S1-02810070000	S1-02810070000	S1-02810070000
9	1	Roof, Condenser	S1-37328308000	S1-37328308000	S1-37328308000	S1-37328308000
10	*	Kit, Acorn Nut	S1-36390117700	S1-36390117700	S1-36390117700	S1-36390117700
Indoor Blower Motor & Air Moving Components						
12	1	Motor, Blower, Programmed	S1-02435706005	S1-02435706005	S1-02435706005	S1-02435706006
		Motor, Blower, Unprogrammed	S1-02435315000	S1-02435315000	S1-02435315000	S1-02435315000
13	1	Wheel, Blower	Included in item #16	Included in item #16	Included in item #16	Included in item #16
14	1	Grommet, Motor Mount (3 Req'd)	S1-02814740000	S1-02814740000	S1-02814740000	S1-02814740000
15	1	Ferrule, Motor Mount (3 Req'd)	S1-02320541000	S1-02320541000	S1-02320541000	S1-02320541000
16	1	Housing, Blower	S1-02642533000	S1-02642533000	S1-02642533000	S1-02642533000
17	1	Assembly, Motor Mount	S1-07328479000	S1-07328479000	S1-07328479000	S1-07328479000
18	*	Cutoff, Blower	---	---	---	---
19	1	Plate, Blower	S1-07316301001	S1-07316301001	S1-07316301001	S1-07316301001
20	1	Switch,Aux Limit, Manual Reset	S1-02531834000	S1-02531834000	S1-02531834000	S1-02531834000
Electric Box						
22						
23	1	Board, Control	S1-03109175000	S1-03109175000	S1-03109175000	S1-03109174000
24	1	Capacitor, Dual Run	S1-02427558000	---	---	S1-02427558000
		Capacitor, Single Run	---	S1-02420043700	S1-02420045700	---
25	1	Transformer	S1-02518452700	S1-02525973700	S1-02525974700	S1-02518452700
26	1	Contacto	S1-02425840700	S1-02435803000	S1-02435803000	S1-02525840700
27	1	Lug, Electrical	S1-02521798000	S1-02521798000	S1-02521798000	S1-02521798000
28	1	Assist, Motor Start	---	---	---	---
29	*	Harness, Wire, Control	S1-02541216000	S1-02541216000	S1-02541216000	S1-02541213000
30	*	Diagram, Wiring	848766	851400	848982	851727
31	1	Transformer	---	---	S1-02439924000	---
32	1	Breaker, Circuit	---	S1-02434532000	S1-02434532000	---
33	1	Block, Terminal	---	---	S1-02523083000	---
Evaporator Coil, Condensor Coil, and Piping Components						
36	3	Coil, Evaporator	S1-37329037000	S1-37329037000	S1-37329037000	S1-37327955001
37	3	TXV	S1-02542691000	S1-02542691000	S1-02542691000	S1-02545208000
38	3	Coil, Condenser	S1-37328296000	S1-37328296000	S1-37328296000	S1-37328296000
39	3	Switch, High Pressure	S1-02538728000	S1-02538728000	S1-02538728000	S1-02538728000
40	3	Switch, Low Pressure	S1-02539909000	S1-02539909000	S1-02539909000	S1-02539909000
41	3	Filter Drier	S1-52634088000	S1-52634088000	S1-52634088000	S1-52634088000
42	3	Connector Tee, Pres Sw. (2 Req'd)	S1-02322437000	S1-02322437000	S1-02322437000	S1-02322437000
43	*	Valve, Schraeder (4 Req'd)	S1-02202475700	S1-02202475700	S1-02202475700	S1-02202475700
44	*	Cap, Seal (2 Req'd)	S1-02310745000	S1-02310745000	S1-02310745000	S1-02310745000
Heating Section, Vent, Blower, and Gas Control Components						
48	2	Heat Exchanger Assy	S1-37316471705	S1-37316471705	S1-37316471705	S1-37316471704
49	2	Plate, Restrictor	S1-07319348005	S1-07319348005	S1-07319348005	S1-07319348004
50	2	Baffle, Restrictor	---	S1-07314993001	---	S1-07314993002
51	2	Flue, Exhaust	S1-07319344000	S1-07319344000	S1-07319344000	S1-07319344000
52	2	Blower, Vent	S1-02633999001	S1-02633999001	S1-02633999001	S1-02646427000
53	2	Gasket, Vent Blower	S1-02812467000	S1-02812467000	S1-02812467000	S1-02812467000
54	2	Valve, Gas	S1-VR8204M1026	S1-VR8204M1026	S1-VR8204M1026	S1-02541218000
55	2	Manifold, Gas	S1-02921198000	S1-02921198000	S1-02921198000	S1-02921198000
56	2	Orifice, Gas (#40)	S1-02920423040	S1-02920423040	S1-02920423040	S1-02920423040
57	2	Ignitor, Spark, Pilot	S1-02541219000	S1-02541219000	S1-02541219000	S1-02541219000
58	2	Switch, Control Rollout	S1-02531812000	S1-02531812000	S1-02531812000	S1-02531812000
59	*	Switch, Limit, Auto Reset	S1-02537494000	S1-02437494000	S1-02437494000	S1-02430861000
60	2	Burner, Gas	S1-02921180000	S1-02921180000	S1-02921180000	S1-02921180000
61	2	Switch, Air Pressure	S1-02425975000	S1-02425975000	S1-02425975000	S1-02435707000
62	*	Gasket, High Temp	S1-02811648000	S1-02811648000	S1-02811648000	S1-02811648000

NOTE: *Not Shown
 New replacement parts shown in **bold** face type at the first printing of parts list dated 9/12.
 Major components and suggested stocking items are shown with shaded item number.
 "<" Across from row indicates a change in that row.
 --- Not applicable to specified model.

ITEM	FIG	DESCRIPTION	D5NZ048N11006A	D5NZ048N11025A	D5NZ048N11046A	D5NZ060D09006A	<
Sheet Metal Components							
66	1	Base Rail, Front	S1-07319413000	S1-07319413000	S1-07319413000	S1-07319413000	
67	1	Base Rail, Back	S1-07319414000	S1-07319414000	S1-07319414000	S1-07319414000	
68	1	Base Rail, Side (2 Req'd)	S1-07319415000	S1-07319415000	S1-07319415000	S1-07319415000	
69	1	Post, Corner Assy	S1-37327359000	S1-37327359000	S1-37327359000	S1-37327359000	
71	1	Panel, Access, Blower	S1-37314979002	S1-37314979002	S1-37314979002	S1-37314979002	
72	1	Panel, Access, Heater	S1-07314981002	S1-07314981002	S1-07314981002	S1-07314981002	
73	1	Panel, Duct	S1-37319412007	S1-37319412007	S1-37319412007	S1-37319412007	
74	1	Post, Corner Assy, Front	S1-07328306000	S1-07328306000	S1-07328306000	S1-07328306000	
75	1	Post, Corner Assy, Left Front	S1-07320121000	S1-07320121000	S1-07320121000	S1-07320121000	
76	1	Duct Cover (2 Req'd)	S1-37314853000	S1-37314853000	S1-37314853000	S1-37314853000	
77	*	Screen, Flue	S1-02634000000	S1-02634000000	S1-02634000000	S1-02634000000	
78	1	Coil Guard, (Front)	S1-02645703000	S1-02645703000	S1-02645703000	S1-02645703000	
79	1	Coil Guard, (Side)	S1-02634573000	S1-02634573000	S1-02634573000	S1-02634573000	
80	*	Hood, Flue, Exhaust Outlet	S1-07314988000	S1-07314988000	S1-07314988000	S1-07314988000	
81							
83	*	Kit, Filter Rack	---	S1-37315868000	S1-37315868000	---	
84	*	Filter, Air, Alum.	---	S1-02633202006	S1-02633202006	---	
Drain Pan & Accessories							
87	*	Pan, Drain	S1-03200177001	S1-03200177001	S1-03200177001	S1-37328303000	
88	*	Plug, Drain Pan	S1-02812480000	S1-02812480000	S1-02812480000	S1-02812480000	
89	*	Drain Fitting	S1-7430-3011	S1-7430-3011	S1-7430-3011	S1-7430-3011	
90	*	Tubing, Drain	S1-02815480000	S1-02815480000	S1-02815480000	S1-02815480000	

NOTE: *Not ShownNew replacement parts shown in **bold** face type at the first printing of parts list dated 9/12.

Major components and suggested stocking items are shown with shaded item number.

“<” Across from row indicates a change in that row.

--- Not applicable to specified model.

ITEM	FIG	DESCRIPTION	D5NZ060D11006A	D5NZ060N06506A	D5NZ060N06525A	D5NZ060N06546A
Compressors						
1	3	Compressor	S1-01503932004	S1-01503932004	S1-01503933004	S1-01503934004
2	3	Cushion Mount	S1-02810581000	S1-02810581000	S1-02810581000	S1-02810581000
3	3	Bolt, Compressor	S1-02116047000	S1-02116047000	S1-02116047000	S1-02116047000
4	*	Harness, Compressor	---	---	S1-02541104000	S1-02541104000
Condensor Fan Motor & Air Moving Components						
5	1	Motor, Fan	S1-02435924000	S1-02435924000	S1-02435924000	S1-02435925000
6	1	Blade, Fan	S1-02646410000	S1-02646410000	S1-02646410000	S1-02646410000
7	1	Guard, Fan	S1-02646742000	S1-02646742000	S1-02646742000	S1-02646742000
8	*	Wireway(26")	S1-02810070000	S1-02810070000	S1-02810070000	S1-02810070000
9	1	Roof, Condenser	S1-37328308000	S1-37328308000	S1-37328308000	S1-37328308000
10	*	Kit, Acorn Nut	S1-36390117700	S1-36390117700	S1-36390117700	S1-36390117700
Indoor Blower Motor & Air Moving Components						
12	1	Motor, Blower, Programmed	S1-02435706006	S1-02435706006	S1-02435706006	S1-02435706006
		Motor, Blower, Unprogrammed	S1-02435315000	S1-02435315000	S1-02435315000	S1-02435315000
13	1	Wheel, Blower	Included in item #16	Included in item #16	Included in item #16	Included in item #16
14	1	Grommet, Motor Mount (3 Req'd)	S1-02814740000	S1-02814740000	S1-02814740000	S1-02814740000
15	1	Ferrule, Motor Mount (3 Req'd)	S1-02320541000	S1-02320541000	S1-02320541000	S1-02320541000
16	1	Housing, Blower	S1-02642533000	S1-02642533000	S1-02642533000	S1-02642533000
17	1	Assembly, Motor Mount	S1-07328479000	S1-07328479000	S1-07328479000	S1-07328479000
18	*	Cutoff, Blower	---	---	---	---
19	1	Plate, Blower	S1-07316301001	S1-07316301001	S1-07316301001	S1-07316301001
20	1	Switch,Aux Limit, Manual Reset	S1-02531834000	S1-02531834000	S1-02531834000	S1-02531834000
Electric Box						
22						
23	1	Board, Control	S1-03109174000	S1-03109175000	S1-03109175000	S1-03109175000
24	1	Capacitor, Dual Run	S1-02427558000	S1-02427558000	---	---
		Capacitor, Single Run	---	---	S1-02420045700	S1-02420045700
25	1	Transformer	S1-02518452700	S1-02518452700	S1-02525973700	S1-02525974700
26	1	Contactora	S1-02425840700	S1-02425840700	S1-02435803000	S1-02435803000
27	1	Lug, Electrical	S1-02521798000	S1-02521798000	S1-02521798000	S1-02521798000
28	1	Assist, Motor Start	---	---	---	---
29	*	Harness, Wire, Control	S1-02541213000	S1-02541216000	S1-02541216000	S1-02541216000
30	*	Diagram, Wiring	851727	848766	851400	848982
31	1	Transformer	---	---	---	S1-02539924000
32	1	Breaker, Circuit	---	---	S1-02434532000	S1-02434532000
33	1	Block, Terminal	---	---	---	S1-02523083000
Evaporator Coil, Condensor Coil, and Piping Components						
36	3	Coil, Evaporator	S1-37327955001	S1-37327955001	S1-37327955001	S1-37327955001
37	3	TXV	S1-02545208000	S1-02545208000	S1-02545208000	S1-02545208000
38	3	Coil, Condenser	S1-37328296000	S1-37328296000	S1-37328296000	S1-37328296000
39	3	Switch, High Pressure	S1-02538728000	S1-02538728000	S1-02538728000	S1-02538728000
40	3	Switch, Low Pressure	S1-02539909000	S1-02539909000	S1-02539909000	S1-02539909000
41	3	Filter Drier	S1-52634088000	S1-52634088000	S1-52634088000	S1-52634088000
42	3	Connector Tee, Pres Sw. (2 Req'd)	S1-02322437000	S1-02322437000	S1-02322437000	S1-02322437000
43	*	Valve, Schraeder (4 Req'd)	S1-02202475700	S1-02202475700	S1-02202475700	S1-02202475700
44	*	Cap, Seal (2 Req'd)	S1-02310745000	S1-02310745000	S1-02310745000	S1-02310745000
Heating Section, Vent, Blower, and Gas Control Components						
48	2	Heat Exchanger Assy	S1-37316471705	S1-37316471703	S1-37316471703	S1-37316471703
49	2	Plate, Restrictor	S1-07319348005	S1-07319348003	S1-07319348003	S1-07319348003
50	2	Baffle, Restrictor	---	S1-07314993002	S1-07314993002	S1-07314993002
51	2	Flue, Exhaust	S1-07319344000	S1-07319344000	S1-07319344000	S1-07319344000
52	2	Blower, Vent	S1-02646427000	S1-02633999001	S1-02633999001	S1-02633999001
53	2	Gasket, Vent Blower	S1-02812467000	S1-02812467000	S1-02812467000	S1-02812467000
54	2	Valve, Gas	S1-02541218000	S1-VR8204M1026	S1-VR8204M1026	S1-VR8204M1026
55	2	Manifold, Gas	S1-02921198000	S1-02921198000	S1-02921198000	S1-02921198000
56	2	Orifice, Gas (#40)	S1-02920423040	S1-02920423040	S1-02920423040	S1-02920423040
57	2	Ignitor, Spark, Pilot	S1-02541219000	S1-02541219000	S1-02541219000	S1-02541219000
58	2	Switch, Control Rollout	S1-02531812000	S1-02530862000	S1-02530862000	S1-02530862000
59	*	Switch, Limit, Auto Reset	S1-02537494000	S1-02431831400	S1-02431835000	S1-02431814000
60	2	Burner, Gas	S1-02921180000	S1-02921180000	S1-02921180000	S1-02921180000
61	2	Switch, Air Pressure	S1-02535707000	S1-02425975000	S1-02425975000	S1-02425975000
62	*	Gasket, High Temp	S1-02811648000	S1-02811648000	S1-02811648000	S1-02811648000

ITEM	FIG	DESCRIPTION	D5NZ060D11006A	D5NZ060N06506A	D5NZ060N06525A	D5NZ060N06546A
Sheet Metal Components						
66	1	Base Rail, Front	S1-07319413000	S1-07319413000	S1-07319413000	S1-07319413000
67	1	Base Rail, Back	S1-07319414000	S1-07319414000	S1-07319414000	S1-07319414000
68	1	Base Rail, Side (2 Req'd)	S1-07319415000	S1-07319415000	S1-07319415000	S1-07319415000
69	1	Post, Corner Assy	S1-37327359000	S1-37327359000	S1-37327359000	S1-37327359000
71	1	Panel, Access, Blower	S1-37314979002	S1-37314979002	S1-37314979002	S1-37314979002
72	1	Panel, Access, Heater	S1-07314981002	S1-07314981002	S1-07314981002	S1-07314981002
73	1	Panel, Duct	S1-37319412007	S1-37319412007	S1-37319412007	S1-37319412007
74	1	Post, Corner Assy, Front	S1-07328306000	S1-07328306000	S1-07328306000	S1-07328306000
75	1	Post, Corner Assy, Left Front	S1-07320121000	S1-07320121000	S1-07320121000	S1-07320121000
76	1	Duct Cover (2 Req'd)	S1-37314853000	S1-37314853000	S1-37314853000	S1-37314853000
77	*	Screen, Flue	S1-02634000000	S1-02634000000	S1-02634000000	S1-02634000000
78	1	Coil Guard, (Front)	S1-02645703000	S1-02645703000	S1-02645703000	S1-02645703000
79	1	Coil Guard, (Side)	S1-02634573000	S1-02634573000	S1-02634573000	S1-02634573000
80	*	Hood, Flue, Exhaust Outlet	S1-07314988000	S1-07314988000	S1-07314988000	S1-07314988000
81						
83	*	Kit, Filter Rack	---	---	S1-37317295000	S1-37317295000
84	*	Filter, Air, Alum.	---	---	S1-02633202008	S1-02633202008
Drain Pan & Accessories						
87	*	Pan, Drain	S1-37328303000	S1-37328303000	S1-37328303000	S1-37328303000
88	*	Plug, Drain Pan	S1-02812480000	S1-02812480000	S1-02812480000	S1-02812480000
89	*	Drain Fitting	S1-7430-3011	S1-7430-3011	S1-7430-3011	S1-7430-3011
90	*	Tubing, Drain	S1-02815480000	S1-02815480000	S1-02815480000	S1-02815480000

NOTE: *Not Shown
 New replacement parts shown in **bold** face type at the first printing of parts list dated 9/12.
 Major components and suggested stocking items are shown with shaded item number.
 “<” Across from row indicates a change in that row.
 --- Not applicable to specified model.



ITEM	FIG	DESCRIPTION	D5NZ060N09006A	D5NZ060N09025A	D5NZ060N09046A	<
Compressors						
1	3	Compressor	S1-01503932004	S1-01503933004	S1-01503934004	
2	3	Cushion Mount	S1-02810581000	S1-02810581000	S1-02810581000	
3	3	Bolt, Compressor	S1-02116047000	S1-02116047000	S1-02116047000	
4	*	Harness, Compressor	---	S1-02541104000	S1-02541104000	
Condensor Fan Motor & Air Moving Components						
5	1	Motor, Fan	S1-02435924000	S1-02435924000	S1-02435925000	
6	1	Blade, Fan	S1-02646410000	S1-02646410000	S1-02646410000	
7	1	Guard, Fan	S1-02646742000	S1-02646742000	S1-02646742000	
8	*	Wireway(26")	S1-02810070000	S1-02810070000	S1-02810070000	
9	1	Roof, Condenser	S1-37328308000	S1-37328308000	S1-37328308000	
10	*	Kit, Acorn Nut	S1-36390117700	S1-36390117700	S1-36390117700	
Indoor Blower Motor & Air Moving Components						
12	1	Motor, Blower, Programmed	S1-02435706006	S1-02435706006	S1-02435706006	
		Motor, Blower, Unprogrammed	S1-02435315000	S1-02435315000	S1-02435315000	
13	1	Wheel, Blower	Included in item #16	Included in item #16	Included in item #16	
14	1	Grommet, Motor Mount (3 Req'd)	S1-02814740000	S1-02814740000	S1-02814740000	
15	1	Ferrule, Motor Mount (3 Req'd)	S1-02320541000	S1-02320541000	S1-02320541000	
16	1	Housing, Blower	S1-02642533000	S1-02642533000	S1-02642533000	
17	1	Assembly, Motor Mount	S1-07328479000	S1-07328479000	S1-07328479000	
18	*	Cutoff, Blower	---	---	---	
19	1	Plate, Blower	S1-07316301001	S1-07316301001	S1-07316301001	
20	1	Switch,Aux Limit, Manual Reset	S1-02531834000	S1-02531834000	S1-02531834000	
Electric Box						
22						
23	1	Board, Control	S1-03109175000	S1-03109175000	S1-03109175000	
24	1	Capacitor, Dual Run	S1-02427558000	---	---	
		Capacitor, Single Run	---	S1-02420045700	S1-02420045700	
25	1	Transformer	S1-02518452700	S1-02525973700	S1-02525974700	
26	1	Contacto	S1-02425840700	S1-02435803000	S1-02435803000	
27	1	Lug, Electrical	S1-02521798000	S1-02521798000	S1-02521798000	
28	1	Assist, Motor Start	---	---	---	
29	*	Harness, Wire, Control	S1-02541216000	S1-02541216000	S1-02541216000	
30	*	Diagram, Wiring	848766	851400	848982	
31	1	Transformer	---	---	S1-02439924000	
32	1	Breaker, Circuit	---	S1-02434532000	S1-02434532000	
33	1	Block, Terminal	---	---	S1-02523083000	
Evaporator Coil, Condensor Coil, and Piping Components						
36	3	Coil, Evaporator	S1-37327955001	S1-37327955001	S1-37327955001	
37	3	TXV	S1-02545208000	S1-02545208000	S1-02545208000	
38	3	Coil, Condenser	S1-37328296000	S1-37328296000	S1-37328296000	
39	3	Switch, High Pressure	S1-02538728000	S1-02538728000	S1-02538728000	
40	3	Switch, Low Pressure	S1-02539909000	S1-02539909000	S1-02539909000	
41	3	Filter Drier	S1-52634088000	S1-52634088000	S1-52634088000	
42	3	Connector Tee, Pres Sw. (2 Req'd)	S1-02322437000	S1-02322437000	S1-02322437000	
43	*	Valve, Schraeder (4 Req'd)	S1-02202475700	S1-02202475700	S1-02202475700	
44	*	Cap, Seal (2 Req'd)	S1-02310745000	S1-02310745000	S1-02310745000	
Heating Section, Vent, Blower, and Gas Control Components						
48	2	Heat Exchanger Assy	S1-37316471704	S1-37316471704	S1-37316471704	
49	2	Plate, Restrictor	S1-07319348004	S1-07319348004	S1-07319348004	
50	2	Baffle, Restrictor	S1-07314993002	S1-07314993002	S1-07314993002	
51	2	Flue, Exhaust	S1-07319344000	S1-07319344000	S1-07319344000	
52	2	Blower, Vent	S1-02633999001	S1-02633999001	S1-02633999001	
53	2	Gasket, Vent Blower	S1-02812467000	S1-02812467000	S1-02812467000	
54	2	Valve, Gas	S1-VR8204M1026	S1-VR8204M1026	S1-VR8204M1026	
55	2	Manifold, Gas	S1-02921198000	S1-02921198000	S1-02921198000	
56	2	Orifice, Gas (#40)	S1-02920423040	S1-02920423040	S1-02920423040	
57	2	Ignitor, Spark, Pilot	S1-02541219000	S1-02541219000	S1-02541219000	
58	2	Switch, Control Rollout	S1-02531812000	S1-02531812000	S1-02531812000	
59	*	Switch, Limit, Auto Reset	S1-02530861000	S1-02430861000	S1-02430861000	
60	2	Burner, Gas	S1-02921180000	S1-02921180000	S1-02921180000	
61	2	Switch, Air Pressure	S1-02425975000	S1-02425975000	S1-02425975000	
62	*	Gasket, High Temp	S1-02811648000	S1-02811648000	S1-02811648000	

ITEM	FIG	DESCRIPTION	D5NZ060N09006A	D5NZ060N09025A	D5NZ060N09046A	<
Sheet Metal Components						
66	1	Base Rail, Front	S1-07319413000	S1-07319413000	S1-07319413000	
67	1	Base Rail, Back	S1-07319414000	S1-07319414000	S1-07319414000	
68	1	Base Rail, Side (2 Req'd)	S1-07319415000	S1-07319415000	S1-07319415000	
69	1	Post, Corner Assy	S1-37327359000	S1-37327359000	S1-37327359000	
71	1	Panel, Access, Blower	S1-37314979002	S1-37314979002	S1-37314979002	
72	1	Panel, Access, Heater	S1-07314981002	S1-07314981002	S1-07314981002	
73	1	Panel, Duct	S1-37319412007	S1-37319412007	S1-37319412007	
74	1	Post, Corner Assy, Front	S1-07328306000	S1-07328306000	S1-07328306000	
75	1	Post, Corner Assy, Left Front	S1-07320121000	S1-07320121000	S1-07320121000	
76	1	Duct Cover (2 Req'd)	S1-37314853000	S1-37314853000	S1-37314853000	
77	*	Screen, Flue	S1-02634000000	S1-02634000000	S1-02634000000	
78	1	Coil Guard, (Front)	S1-02645703000	S1-02645703000	S1-02645703000	
79	1	Coil Guard, (Side)	S1-02634573000	S1-02634573000	S1-02634573000	
80	*	Hood, Flue, Exhaust Outlet	S1-07314988000	S1-07314988000	S1-07314988000	
81						
83	*	Kit, Filter Rack	---	S1-37317295000	S1-37317295000	
84	*	Filter, Air, Alum.	---	S1-02633202008	S1-02633202008	
Drain Pan & Accessories						
87	*	Pan, Drain	S1-37328303000	S1-37328303000	S1-37328303000	
88	*	Plug, Drain Pan	S1-02812480000	S1-02812480000	S1-02812480000	
89	*	Drain Fitting	S1-7430-3011	S1-7430-3011	S1-7430-3011	
90	*	Tubing, Drain	S1-02815480000	S1-02815480000	S1-02815480000	

NOTE: *Not ShownNew replacement parts shown in **bold** face type at the first printing of parts list dated 9/12.

Major components and suggested stocking items are shown with shaded item number.

“<” Across from row indicates a change in that row.

--- Not applicable to specified model.

ITEM	FIG	DESCRIPTION	D5NZ060N11006A	D5NZ060N11025A	D5NZ060N11046A	<
Compressors						
1	3	Compressor	S1-01503932004	S1-01503933004	S1-01503934004	
2	3	Cushion Mount	S1-02810581000	S1-02810581000	S1-02810581000	
3	3	Bolt, Compressor	S1-02116047000	S1-02116047000	S1-02116047000	
4	*	Harness, Compressor	---	S1-02541104000	S1-02541104000	
Condensor Fan Motor & Air Moving Components						
5	1	Motor, Fan	S1-02435924000	S1-02435924000	S1-02435925000	
6	1	Blade, Fan	S1-02646410000	S1-02646410000	S1-02646410000	
7	1	Guard, Fan	S1-02646742000	S1-02646742000	S1-02646742000	
8	*	Wireway(26")	S1-02810070000	S1-02810070000	S1-02810070000	
9	1	Roof, Condenser	S1-37328308000	S1-37328308000	S1-37328308000	
10	*	Kit, Acorn Nut	S1-36390117700	S1-36390117700	S1-36390117700	
Indoor Blower Motor & Air Moving Components						
12	1	Motor, Blower, Programmed	S1-02435706006	S1-02435706006	S1-02435706006	
		Motor, Blower, Unprogrammed	S1-02435315000	S1-02435315000	S1-02435315000	
13	1	Wheel, Blower	Included in item #16	Included in item #16	Included in item #16	
14	1	Grommet, Motor Mount (3 Req'd)	S1-02814740000	S1-02814740000	S1-02814740000	
15	1	Ferrule, Motor Mount (3 Req'd)	S1-02320541000	S1-02320541000	S1-02320541000	
16	1	Housing, Blower	S1-02642533000	S1-02642533000	S1-02642533000	
17	1	Assembly, Motor Mount	S1-07328479000	S1-07328479000	S1-07328479000	
18	*	Cutoff, Blower	---	---	---	
19	1	Plate, Blower	S1-07316301001	S1-07316301001	S1-07316301001	
20	1	Switch,Aux Limit, Manual Reset	S1-02531834000	S1-02531834000	S1-02531834000	
Electric Box						
22						
23	1	Board, Control	S1-03109175000	S1-03109175000	S1-03109175000	
24	1	Capacitor, Dual Run	S1-02427558000	---	---	
		Capacitor, Single Run	---	S1-02420045700	S1-02420045700	
25	1	Transformer	S1-02518452700	S1-02525973700	S1-02525974700	
26	1	Contact	S1-02425840700	S1-02435803000	S1-02435803000	
27	1	Lug, Electrical	S1-02521798000	S1-02521798000	S1-02521798000	
28	1	Assist, Motor Start	---	---	---	
29	*	Harness, Wire, Control	S1-02541216000	S1-02541216000	S1-02541216000	
30	*	Diagram, Wiring	848766	851400	848982	
31	1	Transformer	---	---	S1-02439924000	
32	1	Breaker, Circuit	---	S1-02434532000	S1-02434532000	
33	1	Block, Terminal	---	---	S1-02523083000	
Evaporator Coil, Condensor Coil, and Piping Components						
36	3	Coil, Evaporator	S1-37327955001	S1-37327955001	S1-37327955001	
37	3	TXV	S1-02545208000	S1-02545208000	S1-02545208000	
38	3	Coil, Condenser	S1-37328296000	S1-37328296000	S1-37328296000	
39	3	Switch, High Pressure	S1-02538728000	S1-02538728000	S1-02538728000	
40	3	Switch, Low Pressure	S1-02539909000	S1-02539909000	S1-02539909000	
41	3	Filter Drier	S1-52634088000	S1-52634088000	S1-52634088000	
42	3	Connector Tee, Pres Sw. (2 Req'd)	S1-02322437000	S1-02322437000	S1-02322437000	
43	*	Valve, Schraeder (4 Req'd)	S1-02202475700	S1-02202475700	S1-02202475700	
44	*	Cap, Seal (2 Req'd)	S1-02310745000	S1-02310745000	S1-02310745000	
Heating Section, Vent, Blower, and Gas Control Components						
48	2	Heat Exchanger Assy	S1-37316471705	S1-37316471705	S1-37316471705	
49	2	Plate, Restrictor	S1-07319348005	S1-07319348005	S1-07319348005	
50	2	Baffle, Restrictor	---	---	---	
51	2	Flue, Exhaust	S1-07319344000	S1-07319344000	S1-07319344000	
52	2	Blower, Vent	S1-02633999001	S1-02633999001	S1-02633999001	
53	2	Gasket, Vent Blower	S1-02812467000	S1-02812467000	S1-02812467000	
54	2	Valve, Gas	S1-VR8204M1026	S1-VR8204M1026	S1-VR8204M1026	
55	2	Manifold, Gas	S1-02921198000	S1-02921198000	S1-02921198000	
56	2	Orifice, Gas (#40)	S1-02920423040	S1-02920423040	S1-02920423040	
57	2	Ignitor, Spark, Pilot	S1-02541219000	S1-02541219000	S1-02541219000	
58	2	Switch, Control Rollout	S1-02531812000	S1-02531812000	S1-02531812000	
59	*	Switch, Limit, Auto Reset	S1-02537494000	S1-02437494000	S1-02437494000	
60	2	Burner, Gas	S1-02921180000	S1-02921180000	S1-02921180000	
61	2	Switch, Air Pressure	S1-02425975000	S1-02425975000	S1-02425975000	
62	*	Gasket, High Temp	S1-02811648000	S1-02811648000	S1-02811648000	

ITEM	FIG	DESCRIPTION	D5NZ060N11006A	D5NZ060N11025A	D5NZ060N11046A
Sheet Metal Components					
66	1	Base Rail, Front	S1-07319413000	S1-07319413000	S1-07319413000
67	1	Base Rail, Back	S1-07319414000	S1-07319414000	S1-07319414000
68	1	Base Rail, Side (2 Req'd)	S1-07319415000	S1-07319415000	S1-07319415000
69	1	Post, Corner Assy	S1-37327359000	S1-37327359000	S1-37327359000
71	1	Panel, Access, Blower	S1-37314979002	S1-37314979002	S1-37314979002
72	1	Panel, Access, Heater	S1-07314981002	S1-07314981002	S1-07314981002
73	1	Panel, Duct	S1-37319412007	S1-37319412007	S1-37319412007
74	1	Post, Corner Assy, Front	S1-07328306000	S1-07328306000	S1-07328306000
75	1	Post, Corner Assy, Left Front	S1-07320121000	S1-07320121000	S1-07320121000
76	1	Duct Cover (2 Req'd)	S1-37314853000	S1-37314853000	S1-37314853000
77	*	Screen, Flue	S1-02634000000	S1-02634000000	S1-02634000000
78	1	Coil Guard, (narrow)	S1-02645703000	S1-02645703000	S1-02645703000
79	1	Coil Guard, (wide)	S1-02634573000	S1-02634573000	S1-02634573000
80	*	Hood, Flue, Exhaust Outlet	S1-07314988000	S1-07314988000	S1-07314988000
81					
83	*	Kit, Filter Rack	---	S1-37317295000	S1-37317295000
84	*	Filter, Air, Alum.	---	S1-02633202008	S1-02633202008
Drain Pan & Accessories					
87	*	Pan, Drain	S1-37328303000	S1-37328303000	S1-37328303000
88	*	Plug, Drain Pan	S1-02812480000	S1-02812480000	S1-02812480000
89	*	Drain Fitting	S1-7430-3011	S1-7430-3011	S1-7430-3011
90	*	Tubing, Drain	S1-02815480000	S1-02815480000	S1-02815480000

NOTE: *Not Shown
 New replacement parts shown in **bold** face type at the first printing of parts list dated 9/12.
 Major components and suggested stocking items are shown with shaded item number.
 "<" Across from row indicates a change in that row.
 --- Not applicable to specified model.

For Lo-Nox Models listed below, all componets are identical with the models above except for the addition of lo-nox screens part number S1-02634598000 (1 per burner).

LO-NOX MODELS	
D5NZ048N06506NX	D5NZ060N06506NX
D5NZ048N06525NX	D5NZ060N06525NX
D5NZ048N06546NX	D5NZ060N06546NX
D5NZ048N09006NX	D5NZ060N09006NX
D5NZ048N09025NX	D5NZ060N09025NX
D5NZ048N09046NX	D5NZ060N09046NX
D5NZ048N11006NX	D5NZ060N11006NX
D5NZ048N11025NX	D5NZ060N11025NX
D5NZ048N11046NX	D5NZ060N11046NX
D5NZ048D09006NX	D5NZ060D09006NX
D5NZ048D11006NX	D5NZ060D11006NX

TO ORDER AUTHORIZED FACTORY REPLACEMENT PARTS - Contact your Source1 HVAC Parts Distributor or visit our website at www.Source1Parts.com for a Distributor and Dealer listing.