



www.Source1Parts.com

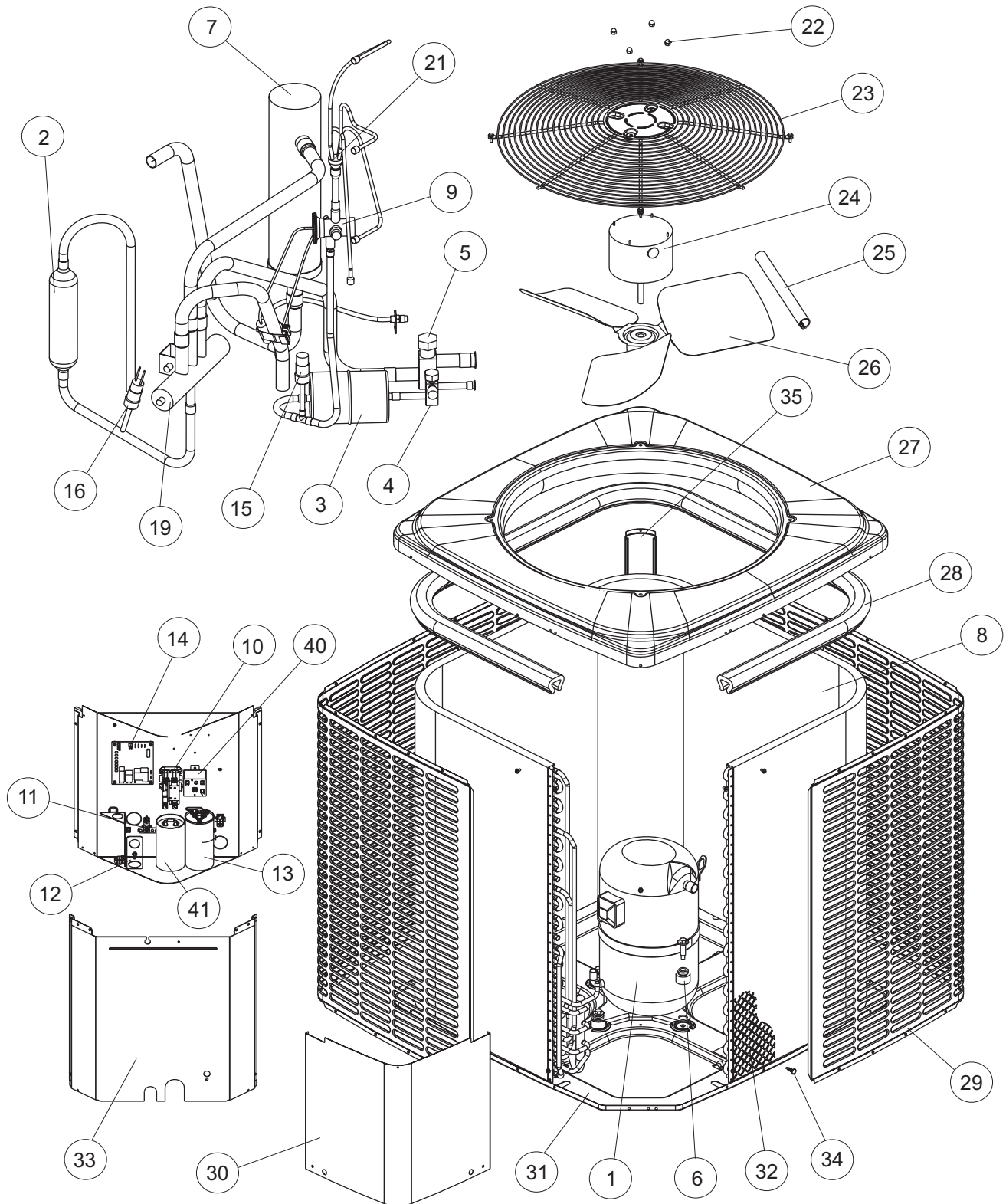
HVAC SERVICE PARTS

# THJD SERIES - FIN & TUBE 14 SEER HEAT PUMP, R-410A 7TH GENERATION (STYLE A)

Supersedes:035-24193-001 Rev. C (0415)

035-24193-001 Rev. D (0615)

1 of 4



ITEM	DESCRIPTION	THJD18S41S7A	THJD24S41S7A	THJD30S41S7A
1	Compressor	S1-01504140004	S1-01504289001	S1-01504077004
2	Muffler, Discharge	S1-02538947000	---	---
3	Filter Drier	S1-52636219000	S1-52636219000	S1-52636219000
4	Base Valve (3/8") (Liquid)	S1-02211571000	S1-02211571000	S1-02211571000
5	Base Valve (3/4") (Suction)	S1-02211572000	S1-02211572000	S1-02211572000
6	Compressor Mount (Pkg. of 4)	S1-02810581000	S1-02809519000	S1-02809519000
7	Accumulator	S1-02635441000	S1-02635441000	S1-02634090000
8	Outdoor Coil Assembly	S1-37327845001	S1-37327845002	S1-37327917001
9	Valve, TXV	S1-02541346000	S1-02541346000	S1-02541346000
10	Contactora (30 amp)	S1-02427531000	S1-02427531000	S1-02427531000
11	Lug, Ground	S1-02521798000	S1-02521798000	S1-02521798000
12	Relief, Strain	---	---	---
13	Dual Capacitor (30/7.5 MFD)	S1-02435784000	---	---
	Dual Capacitor (35/5 MFD)	---	S1-02425859700	S1-02425859700
14	Board, Defrost Control	S1-33101975102	S1-33101975102	S1-33101975102
15	Pressure Switch, Low	S1-02541264000	S1-02541264000	S1-02541264000
16	Pressure Switch, High	S1-02535359000	S1-02535359000	S1-02535359000
17*	Sensor, Temperature (Coil)	S1-03101276000	S1-03101276000	S1-03101276000
18*	Sensor, Temperature (Ambient)	S1-02532701016	S1-02532701016	S1-02532701016
19	Valve, Reversing	S1-02542731000	S1-02542731000	S1-02542731000
20*	Solenoid Coil, Reversing Valve	S1-02547252000	S1-02547252000	S1-02547252000
21	Assembly, Distributor	S1-02538973000	S1-02538973000	S1-02533424233
22	Kit, Motor Mounting (Acorn Nuts)	S1-36390117700	S1-36390117700	S1-36390117700
23	Guard, Fan	S1-02642586000	S1-02642586000	S1-02642586000
24	Motor, Fan	<b>S1-02436231000</b>	<b>S1-02436238000</b>	<b>S1-02436237000</b>
25	Wireway	S1-02815864000	S1-02815864000	S1-02815864000
26	Blade, Fan	S1-02635436000	S1-02646400000	S1-02642434000
27	Top	S1-07327853001	S1-07327853001	S1-07327853001
28	Foam, Outdoor Coil	S1-02815863001	S1-02815863001	S1-02815863001
29	Slotted Panel, Coil Guard (2 Req'd)	S1-07327906004	S1-07327906005	S1-07327906006
30	Cover, Control Box	S1-07327856001	S1-07327856001	S1-07327856001
31	Pan, Base	S1-07327933003	S1-07327844002	S1-07327844002
32	Coil Guard, Plastic Mesh	---	---	---
33	Panel, Blockoff	S1-07327858001	S1-07327836001	S1-07327855001
34	Fastener, Push-in (6 Req'd)	---	---	---
35	Post, Corner	S1-07327835003	S1-07327854002	S1-37327857002
36*	Harness, Wire (12 Pin)	S1-37326955005	S1-37326955005	S1-37326955005
37*	Harness, Reversing Valve (Ranco)	S1-02531923000	S1-02531923000	S1-02531923000
38*	Harness, Main Wiring	S1-37320055004	S1-37320055004	S1-37320055004
39*	Harness, Compressor	S1-02541088000	S1-02531884000	S1-02531884000
40	Relay, Start	---	S1-02425391700	S1-02425060000
41	Capacitor, Start	---	S1-02431993000	S1-02431993000
42*	Switch, High Temperature	---	---	---
43*	Wiring Diagram	331677		
44*	Orifice (0.051)	S1-02919387021	---	---
	Orifice (0.059)	---	S1-02919387021	---
	Orifice (0.063)	---	---	S1-02919387015
45*	Core, Valve	S1-02202475700	S1-02202475700	S1-02202475700
46*	Body, Valve	S1-02208982000	S1-02208982000	S1-02208982000
47*	Bolt, Compressor	S1-02131417000	S1-02131417000	S1-02131417000
48*	Plate, Bezel	S1-02815899000	S1-02815899000	S1-02815899000

<

**NOTE:** \*Not Shown  
 New replacement parts shown in **bold** face type at the first printing of parts list dated 6/15.  
 Major components and suggested stocking items are shown with shaded item number.   
 "<" Across from row indicates a change in that row, changed part numbers in red.  
 --- Not applicable to specified model.

ITEM	DESCRIPTION	THJD36S41S7A	THJD42S41S7A	THJD48S41S7A	THJD60S41S7A
1	Compressor	S1-01504200004	S1-01504199004	S1-01504290001	S1-01503932004
2	Muffler, Discharge	---	---	S1-02209077000	S1-02646781000
3	Filter Drier	S1-52636219000	S1-52636219000	S1-52636219000	S1-52636219000
4	Base Valve (3/8") (Liquid)	S1-02211571000	S1-02211571000	S1-02211571000	S1-02211571000
5	Base Valve (3/4") (Suction)	S1-02211572000	---	---	---
	Base Valve (7/8") (Suction)	---	S1-02511576000	S1-02511576000	S1-02511576000
6	Compressor Mount (Pkg. of 4)	S1-02809519000	S1-02809519000	S1-02809519000	S1-02810581000
7	Accumulator	S1-02634090000	S1-02634090000	S1-02635441000	S1-02625573008
8	Outdoor Coil Assembly	S1-37327845005	S1-37327847003	S1-37339382001	S1-37339382001
9	Valve, TXV	---	---	---	S1-02538739060
10	Contactors (30 amp)	S1-02427531000	S1-02427531000	S1-02427531000	---
	Contactors (40 amp)	---	---	---	S1-02425837700
11	Lug, Ground	S1-02521798000	S1-02521798000	S1-02521798000	S1-02521798000
12	Relief, Strain	---	---	---	---
13	Dual Capacitor (45/5 MFD)	S1-02425120700	S1-02425120700	S1-02425120700	---
	Dual Capacitor (70/5 MFD)	---	---	---	S1-02435844000
14	Board, Defrost Control	S1-03101954000	S1-03101954000	S1-03101954000	S1-33101975102
15	Pressure Switch, Low	S1-02541264000	S1-02541264000	S1-02541264000	S1-02541264000
16	Pressure Switch, High	S1-02535359000	S1-02535359000	S1-02535359000	S1-02535359000
17*	Sensor, Temperature (Coil)	S1-02543293000	S1-02543293000	S1-02543293000	S1-03101276000
18	Sensor, Temperature (Ambient)	---	---	---	S1-02532701016
19*	Valve, Reversing	S1-02542731000	S1-02533307002	S1-02533307002	S1-02542730000
20	Solenoid Coil, Reversing Valve	S1-02547252000	S1-02547252000	S1-02547252000	S1-02547252000
21	Assembly, Distributor	S1-02211563000	S1-02211579000	S1-02211564000	S1-02533424236
22	Kit, Motor Mounting (Acorn Nuts)	S1-36390117700	S1-36390117700	S1-36390117700	S1-36390117700
23	Guard, Fan	S1-02642586000	S1-02642586000	S1-02642586000	S1-02642586000
24	Motor, Fan	<b>S1-02436237000</b>	<b>S1-02436237000</b>	<b>S1-02436237000</b>	<b>S1-02436237000</b>
25	Wireway	S1-02815864000	S1-02815864000	S1-02815864000	S1-02815864000
26	Blade, Fan	S1-02642434000	S1-02642434000	S1-02642434000	S1-02642434000
27	Top	S1-07327853001	S1-07327853001	S1-07327853001	S1-07327853001
28	Foam, Outdoor Coil	S1-02815863000	S1-02815863000	S1-02815869000	S1-02815869000
29	Slotted Panel, Coil Guard (2 Req'd)	S1-07327906007	S1-07327906007	S1-07327906007	S1-07327906007
30	Cover, Control Box	S1-07327856001	S1-07327856001	S1-07327856001	S1-07327856001
31	Pan, Base	S1-07327844002	S1-07327844002	S1-07327844002	S1-07327844002
32	Coil Guard, Plastic Mesh	---	---	---	---
33	Panel, Blockoff	S1-07327858002	S1-07327858002	S1-07327858002	S1-07327858002
34	Fastener, Push-in (6 Req'd)	---	---	---	---
35	Post, Corner	S1-07327857003	S1-07327857003	S1-37327857003	S1-07327857003
36*	Harness, Wire (12 Pin)	S1-37326955005	S1-37326955005	S1-37326955005	S1-37326955005
37*	Harness, Reversing Valve	S1-02542732001	S1-02542732001	S1-02542732001	S1-02542732001
38*	Harness, Main Wiring	S1-37320055004	S1-37320055004	S1-37320055004	S1-37320055004
39*	Harness, Compressor	S1-02531884000	S1-02531884000	S1-02531884000	S1-02541088000
40	Relay, Start	---	---	---	---
41	Capacitor, Start	---	---	---	---
42*	Switch, High Temperature	---	---	---	---
43*	Wiring Diagram	544123	544123	544123	331677
44*	Orifice (0.071)	S1-02919387029	---	---	---
	Orifice (0.075)	---	S1-02919387017	---	---
45*	Core, Valve	S1-02202475700	S1-02202475700	S1-02202475700	S1-02202475700
46*	Body, Valve	S1-02208982000	S1-02208982000	S1-02208982000	S1-02208982000
47*	Bolt, Compressor	S1-02131417000	S1-02131417000	S1-02131417000	S1-02131417000
48*	Plate, Bezel	S1-02815899000	S1-02815899000	S1-02815899000	S1-02815899000

**NOTE:** \*Not ShownNew replacement parts shown in **bold** face type at the first printing of parts list dated 6/15.

Major components and suggested stocking items are shown with shaded item number.

"←" Across from row indicates a change in that row., changed part numbers in red.

--- Not applicable to specified model.

**TO ORDER AUTHORIZED FACTORY REPLACEMENT PARTS** - Contact your Source1 HVAC Parts Distributor or visit our website at **[www.Source1Parts.com](http://www.Source1Parts.com)** for a Distributor and Dealer listing.

Subject to change without notice. Published in U.S.A.  
Copyright © 2015 by Johnson Controls, Inc. All rights reserved.

035-24193-001 Rev. D (0615)  
Supersedes: 035-24193-001 Rev. C (0415)

---

**York International Corp.**  
5005 York Drive  
Norman, OK 73069