



www.Source1Parts.com

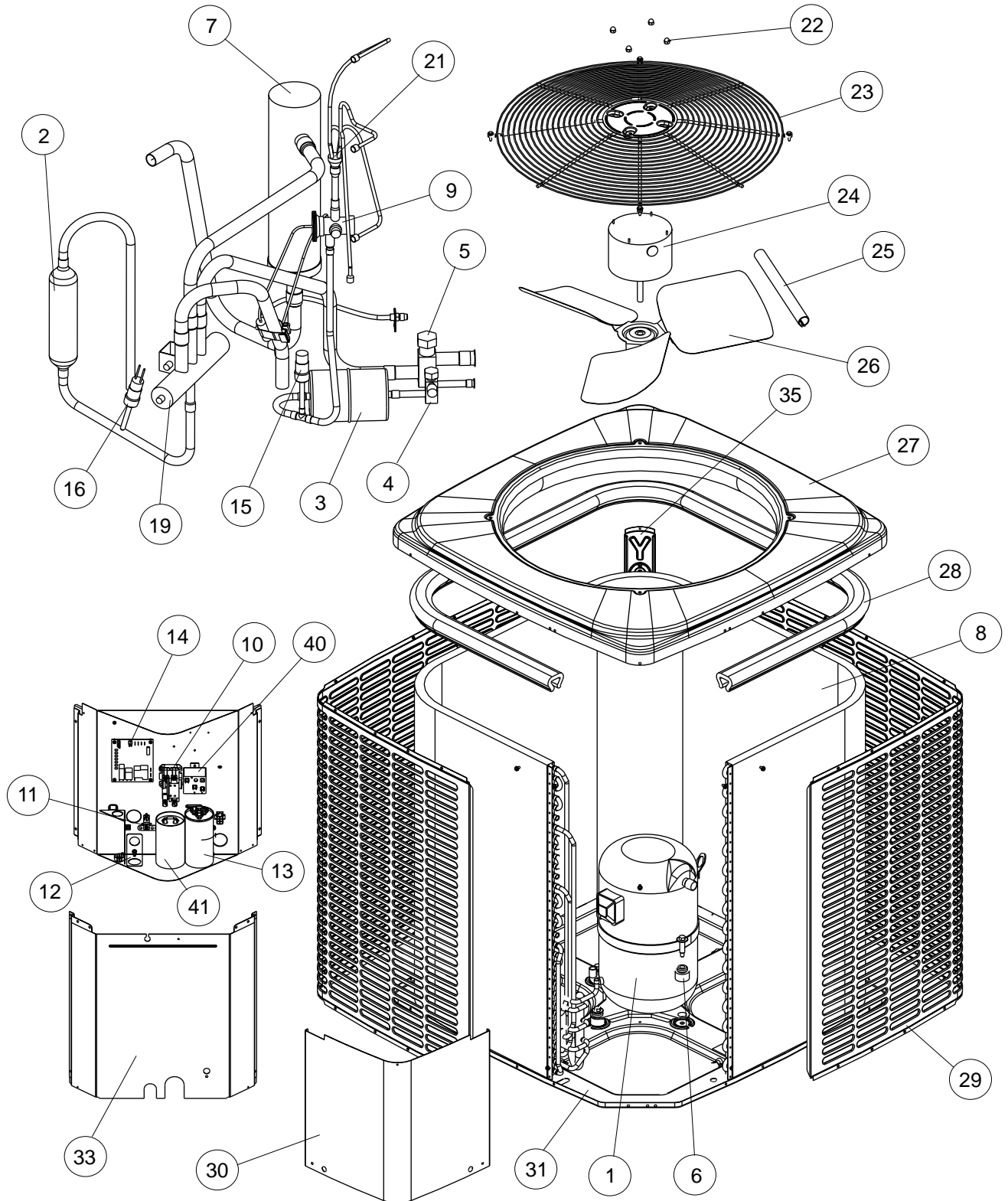
HVAC SERVICE PARTS

# YHJR SERIES - FIN & TUBE 13 SEER HEAT PUMP, R-410A 4TH GENERATION (STYLE A)

Supersedes:035-23109-001 Rev. A (0511)

035-23109-001 Rev. B (0711)

1 of 4



ITEM	DESCRIPTION	YHJR24S41S4A	YHJR30S41S4A	YHJR36S41S4A
1	Compressor	S1-01504076004	S1-01504201004	S1-01504200004
2	Muffler w/Check Valve	---	S1-02209077000	S1-02209077000
3	Filter Drier	S1-02645689000	S1-52636219000	S1-52636219000
4	Base Valve (3/8") (Liquid)	S1-02211571000	S1-02211571000	S1-02211571000
5	Base Valve (3/4") (Suction)	S1-02211572000	S1-02211572000	S1-02211572000
6	Compressor Mount (Pkg. of 4)	S1-02809519000	S1-02809519000	S1-02809519000
7	Accumulator	S1-02634089000	S1-02635441000	S1-02635441000
8	Outdoor Coil Assembly	S1-37327890004	S1-37327890003	S1-37327845001
9	Valve, TXV	S1-02541346000	S1-02541346000	S1-02541346000
10	Contactora (30 amp)	S1-02427531000	S1-02427531000	S1-02427531000
11	Lug, Ground	S1-02521798000	S1-02521798000	S1-02521798000
12	Relief, Strain	S1-02509080000	S1-02509080000	S1-02509080000
13	Dual Capacitor (35/5 MFD)	S1-02425859700	S1-02425859700	---
	Dual Capacitor (40/5 MFD)	---	---	S1-02425894700
14	Board, Control	S1-03101954000	S1-03101954000	S1-03101954000
15	Pressure Switch, Low	S1-02541264000	S1-02541264000	S1-02541264000
16	Pressure Switch, High	S1-02535359000	S1-02535359000	S1-02535359000
17*	Control, Temperature	S1-02543293000	S1-02543293000	S1-02543293000
18				
19	Valve, Reversing	S1-02543659000	S1-02542731000	S1-02542731000
20	Solenoid Coil, Reversing Valve	S1-02530215002	S1-02530215002	S1-02530215002
21	Assembly, Distributor	S1-02538973000	S1-02538973000	S1-02538973000
	Assembly, Distributor w/TXV	S1-02541450000	S1-02541449000	S1-02541449000
22	Kit, Motor Mounting (Acorn Nuts)	S1-36390117700	S1-36390117700	S1-36390117700
23	Guard, Fan	S1-02642483000	S1-02642487000	S1-02642586000
24	Motor, Fan	S1-02435328000	S1-02435328000	S1-02435819000
25	Wireway	S1-02815877000	S1-02815873000	S1-02815864000
26	Blade, Fan	S1-02634754000	S1-32634097000	S1-02642434000
27	Top	S1-07323893001	S1-07323893002	S1-07327844001
28	Foam, Outdoor Coil	S1-02815508000	S1-02815509000	S1-02815863000
29	Slotted Panel, Coil Guard (2 Req'd)	S1-07327838001	S1-07327838002	S1-07327860003
30	Cover, Control Box	S1-07323895002	S1-07323895002	S1-07323895002
31	Pan, Base	S1-07323894001	S1-07323894002	S1-07327844002
32				
33	Panel, Blockoff	S1-07323898001	S1-07323898001	S1-07323898001
34				
35	Post, Corner	S1-07327835001	S1-37327835001	S1-07327835001
36*	Harness, Wire (12 Pin)	S1-37326955005	S1-37326955005	S1-37326955005
37	Harness, Reversing Valve	S1-02542732000	S1-02542732000	S1-02542732000
38*	Harness, Main Wiring	S1-37320055004	S1-37320055004	S1-37320055004
39*	Harness, Compressor	S1-02531884000	S1-02531884000	S1-02531884000
40	Relay, Start	S1-02425391700	S1-02425060000	S1-02425035000
41	Capacitor, Start	S1-02431993000	S1-02431993000	S1-02425076700
42*	Orifice, Refrigerant (.055)	S1-02919387014	---	---
	Orifice, Refrigerant (.058)	S1-02919387046	---	---
	Orifice, Refrigerant (.065)	---	S1-02919387011	---
	Orifice, Refrigerant (.069)	---	---	S1-02919387004
	Orifice, Refrigerant (.071)	---	---	S1-02919387029
43*	Plate, Bezel	S1-02815899000	S1-02815899000	S1-02815899000
44*	Wiring Diagram	544123	544123	544123

<

**NOTE:** \*Not Shown  
 New replacement parts shown in **bold** face type at the first printing of parts list dated 7/11.  
 Major components and suggested stocking items are shown with shaded item number.   
 "<" Across from row indicates a change in that row.  
 --- Not applicable to specified model.

ITEM	DESCRIPTION	YHJR42S41S4A	YHJR48S41S4A	YHJR60S41S4A
1	Compressor	S1-01504199004	S1-01504290001	S1-01504309004
2	Muffler/Check Valve	S1-02209077000	S1-02209077000	---
	Muffler	---	---	S1-02539847000
3	Filter Drier	S1-52636219000	S1-52636219000	S1-52636219000
4	Base Valve (3/8") (Liquid)	S1-02211571000	S1-02211571000	S1-02211571000
5	Base Valve (7/8") (Suction)	S1-02211576000	S1-02211576000	S1-02211576000
6	Compressor Mount (Pkg. of 4)	S1-02809519000	S1-02809519000	S1-02810581000
7	Accumulator	S1-02635441000	S1-02635441000	S1-02625573008
8	Outdoor Coil Assembly	S1-37327890002	S1-37327890001	S1-37327917002
9	Valve, TXV	S1-02538739036	S1-02538739036	---
10	Contactors (30 amp)	S1-02427531000	S1-02427531000	S1-02427531000
11	Lug, Ground	S1-02521798000	S1-02521798000	S1-02521798000
12	Relief, Strain	S1-02509080000	S1-02509080000	S1-02509080000
13	Dual Capacitor (45/5 MFD)	S1-02425120700	S1-02425120700	---
	Dual Capacitor (70/5 MFD)	---	---	S1-02427616000
14	Board, Control	S1-03101954000	S1-03101954000	S1-03101954000
15	Pressure Switch, Low	S1-02541264000	S1-02541264000	S1-02541264000
16	Pressure Switch, High	S1-02535359000	S1-02535359000	S1-02535359000
17*	Control, Temperature	S1-02543293000	S1-02543293000	S1-02543293000
18				
19	Valve, Reversing	S1-02542731000	S1-02533307002	S1-02542730000
20*	Solenoid Coil, Reversing Valve	S1-02530215002	S1-02530215002	S1-02530215002
21	Assembly, Distributor	S1-02533424233	S1-02533424234	S1-02211562000
	Assembly, Distributor w/TXV	S1-02541448000	S1-02541447000	---
22	Kit, Motor Mounting (Acorn Nuts)	S1-36390117700	S1-36390117700	S1-36390117700
23	Guard, Fan	S1-02642586000	S1-02642586000	S1-02642586000
24	Motor, Fan	S1-02435819000	S1-02435819000	S1-02435819000
25	Wireway	S1-02815864000	S1-02815864000	S1-02815864000
26	Blade, Fan	S1-02642434000	S1-02642434000	S1-02642434000
27	Top	S1-07327844001	S1-07327844001	S1-07327844001
28	Foam, Outdoor Coil	S1-02815863000	S1-02815863000	S1-02815869000
29	Slotted Panel, Coil Guard (2 Req'd)	S1-07327860003	S1-07327860002	S1-07327860002
30	Cover, Control Box	S1-07327895002	S1-07327895002	S1-07327895002
31	Pan, Base	S1-07327844002	S1-07327844002	S1-07327844002
32				
33	Panel, Blockoff	S1-07327898001	S1-07327808001	S1-07327808001
34				
35	Post, Corner	S1-07327835001	S1-37327857001	S1-07327857001
36*	Harness, Wire (12 Pin)	S1-37326955005	S1-37326955005	S1-37326955005
37	Harness, Reversing Valve	S1-02543732000	S1-02543732000	S1-02543732000
38*	Harness, Main Wiring	S1-37320055004	S1-37320055004	S1-37320055004
39*	Harness, Compressor	S1-02531884000	S1-02531884000	S1-02531884000
40	Relay, Start	S1-02425053000	---	---
41	Capacitor, Start	S1-02425076700	---	---
42*	Orifice, Refrigerant (.073)	S1-02919387005	---	---
	Orifice, Refrigerant (.078)	---	S1-02919387006	---
43*	Plate, Bezel	S1-02815899000	S1-02815899000	S1-02815899000
44*	Wiring Diagram	544123	544123	544123

**NOTE:** \*Not ShownNew replacement parts shown in **bold** face type at the first printing of parts list dated 7/11.

Major components and suggested stocking items are shown with shaded item number.

"←" Across from row indicates a change in that row.

--- Not applicable to specified model.

**TO ORDER AUTHORIZED FACTORY REPLACEMENT PARTS** - Contact your Source1 HVAC Parts Distributor or visit our website at **[www.Source1Parts.com](http://www.Source1Parts.com)** for a Distributor and Dealer listing.

Subject to change without notice. Published in U.S.A.  
Copyright © 2011 by Johnson Controls, Inc. All rights reserved.

035-23109-001 Rev. B (0711)  
Supersedes: 035-23109-001 Rev. A (0511)

---

**Johnson Controls Unitary Products**  
**5005 York Drive**  
**Norman, OK 73069**