



www.Source1Parts.com

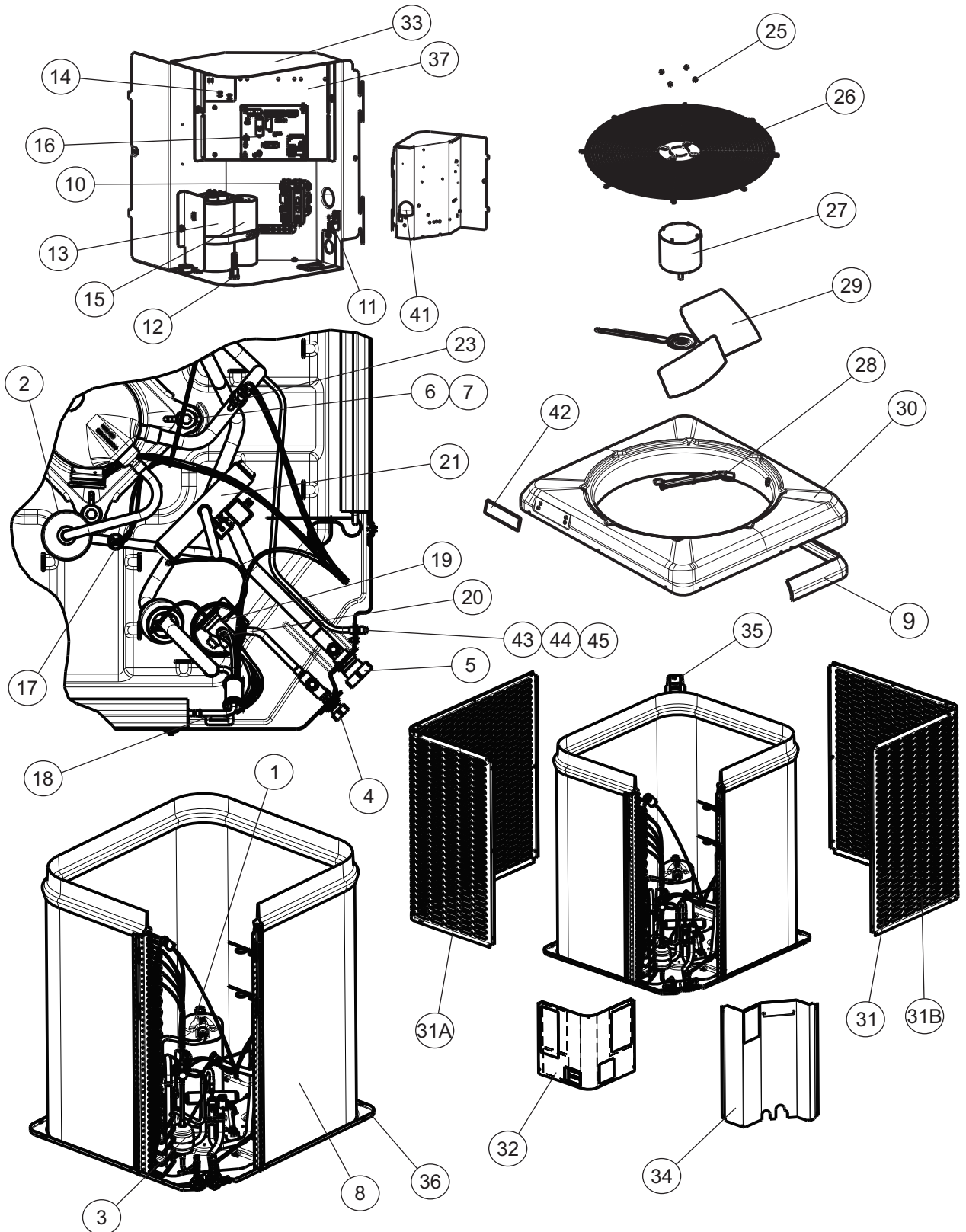
# TH4 SERIES - FIN AND TUBE 14 SEER HEAT PUMPS - R410A (STYLE A)

HVAC SERVICE PARTS

Supersedes:035-24591-001 Rev. A (0216)

035-24591-001 Rev. B (0216)

1 of 4



ITEM	DESCRIPTION	TH4B1821SA	TH4B2421SA	TH4B3021SA	TH4B3521SA
1	Compressor	S1-01504786004	S1-01504787004	S1-01504788004	S1-01504618004
2	Muffler	S1-02212983000	S1-02212983000	S1-02212983000	S1-02212983000
3	Filter Drier	S1-02645689000	S1-02645689000	S1-02645689000	S1-02645689000
4	Base Valve (3/8") (Liquid)	S1-02322459000	S1-02322459000	S1-02322459000	S1-02322459000
5	Base Valve (3/4") (Suction)	S1-02322460000	S1-02322460000	S1-02322460000	S1-02322460000
6	Compressor Mount (Pkg. of 4)	S1-02810581000	S1-02810581000	S1-02812355000	S1-02812355000
7	Bolt, Compressor (4 Req'd)	S1-02131417000	S1-02131417000	S1-02131452000	S1-02131452000
8	Outdoor Coil Assembly	S1-37339424001	S1-37339424002	S1-37339424003	S1-37339424003
9	Molded Foam, Outdoor Coil	S1-02817067000	S1-02817067000	S1-02817070000	S1-02817070000
10	Contactora (30 amp)	S1-02427531000	S1-02427531000	S1-02427531000	S1-02427531000
11	Lug, Ground	S1-02521798000	S1-02521798000	S1-02521798000	S1-02521798000
12	Sensor, Ambient Temp.	S1-02547280000	S1-02547280000	S1-02547280000	S1-02547280000
13	Dual Capacitor (30/5 MFD)	S1-02424778700	---	---	---
	Dual Capacitor (40/5 MFD)	---	S1-02425893700	---	---
	Dual Capacitor (35/5 MFD)	---	---	S1-02425859700	---
	Dual Capacitor (45/5 MFD)	---	---	---	S1-02425120700
14	Relay, Start	---	---	---	---
15	Capacitor, Start	---	---	---	---
16	Control Board, Demand Defrost	S1-03103498000	S1-03103498000	S1-03103498000	S1-03103498000
17	Switch, Pressure (High)	S1-02547283000	S1-02547283000	S1-02547283000	S1-02547283000
18	Sensor, Temp. Defrost Thermistor	S1-02547281000	S1-02547281000	S1-02547281000	S1-02547281000
19	TXV	S1-02541346000	S1-02541346000	S1-02527155000	S1-02541346000
20	Distributor, 4 Circuit	S1-02213020000	S1-02213021000	S1-02213021000	S1-02213021000
21	Valve, Reversing	S1-02547288000	S1-02547288000	S1-02547288000	S1-02547288000
22	Accumulator	S1-02635441000	S1-02635441000	S1-02635441000	S1-02635441000
23	Switch, Pressure (Low)	S1-02547286000	S1-02547286000	S1-02547286000	S1-02547286000
24	Mount, Stand-off, Coil Guard (4 Req'd)	S1-02817062000	S1-02817062000	S1-02817062000	S1-02817062000
25	Kit, Motor Mounting (Acorn Nuts)	S1-36390117700	S1-36390117700	S1-36390117700	S1-36390117700
26	Guard, Fan	S1-02647769000	S1-02647769000	S1-02647770000	S1-02647770000
27	Motor, Fan	S1-02436228000	S1-02436228000	S1-02436227000	S1-02436227000
28	Wireway	S1-02816468000	S1-02816468000	S1-02816469000	S1-02816469000
29	Blade, Fan	S1-32634097000	S1-32634097000	S1-02631361000	S1-02631361000
30	Top	S1-07339395005	S1-07339395005	S1-07339395008	S1-07339395008
31	Panel, Coil Guard (2 Req'd)	S1-07339429002	S1-07339398006	---	---
31A	Panel, Coil Guard (LH)	---	---	S1-07339398027	S1-07339398027
31B	Panel, Coil Guard (RH)	---	---	S1-07339398025	S1-07339398025
32	Cover, Control Box	S1-07339400005	S1-07339400005	S1-07339400005	S1-07339400005
33	Box, Control	S1-07339396002	S1-07339396002	S1-07339396002	S1-07339396002
34	Panel, Block-Off	S1-07339399011	S1-07339399012	S1-07339399016	S1-07339399016
35	Post, Corner	S1-07339401005	S1-07339401007	S1-07339401011	S1-07339401011
36	Pan, Base	S1-07339397002	S1-07339397002	S1-07339397003	S1-07339397003
37	Plate, Control	S1-07339396004	S1-07339396004	S1-07339396004	S1-07339396004
38*	Harness, Wire, Low Voltage	S1-02547294000	S1-02547294000	S1-02547294000	S1-02547294000
39*	Harness, RV/Contactor/Cap	S1-02547295000	S1-02547295000	S1-02547295000	S1-02547295000
40*	Harness, Compressor	S1-02541088000	S1-02541088000	S1-02541088000	S1-02541088000
41	Gasket, Rain Guard	S1-02817106000	S1-02817106000	S1-02817106000	S1-02817106000
42	Badge, Branding	Consult S1 Account Rep.			
43	Cap, Seal	S1-02310745000	S1-02310745000	S1-02310745000	S1-02310745000
44	Core, Valve	S1-02202475700	S1-02202475700	S1-02202475700	S1-02202475700
45	Body, Valve	S1-02208982000	S1-02208982000	S1-02208982000	S1-02208982000
46*	Strap, Cable	S1-02527642000	S1-02527642000	S1-02527642000	S1-02527642000
47*	Damper, Rubber (Discharge Line)	S1-02817125000	S1-02817125000	---	S1-02817125000
48*	Damper, Rubber (Suction Line)	---	---	S1-02815165002	---
49*	Harness, Wire, Start Component	---	---	---	---
50	Tank, Compensator	---	---	---	---
51*	Wiring Diagram	5132848	5132848	5132848	5132848

**NOTE:** \*Not ShownNew replacement parts shown in **bold** face type at the first printing of parts list dated 2/16.

Major components and suggested stocking items are shown with shaded item number.

"←" Across from row indicates a change in that row.

--- Not applicable to specified model.

ITEM	DESCRIPTION	TH4B3621HA	TH4B4221HA	TH4B4821SA	TH4B6021SA
1	Compressor	S1-01504813001	S1-01504814001	S1-01504616004	S1-01504615004
2	Muffler	S1-02212983000	S1-02212983000	S1-02212983000	S1-02212983000
3	Filter Drier	S1-52636219000	S1-52636219000	S1-52636219000	S1-52636219000
4	Base Valve (3/8") (Liquid)	S1-02322459000	S1-02322459000	S1-02322459000	S1-02322459000
5	Base Valve (3/4") (Suction)	S1-02322460000	---	---	---
	Base Valve (7/8") (Suction)	---	S1-02322461000	S1-02322461000	S1-02322461000
6	Compressor Mount (Pkg. of 4)	S1-02810581000	S1-02812342000	S1-02810505000	S1-02810505000
7	Bolt, Compressor (4 Req'd)	S1-02131417000	S1-02116047000	S1-02116047000	S1-02116047000
8	Outdoor Coil Assembly	S1-37339424004	S1-37339424004	S1-37339424005	S1-37339424006
9	Molded Foam, Outdoor Coil	S1-02817071000	S1-02817071000	S1-02817074000	S1-02817074000
10	Contactora (30 amp)	S1-02427531000	S1-02427531000	---	---
	Contactora (40 amp)	---	---	S1-02425837700	S1-02425837700
11	Lug, Ground	S1-02521798000	S1-02521798000	S1-02521798000	S1-02521798000
12	Sensor, Ambient Temp.	S1-02547280000	S1-02547280000	S1-02547280000	S1-02547280000
13	Dual Capacitor (45/5 MFD)	S1-02425120700	S1-02425120700	---	---
	Dual Capacitor (70/5 MFD)	---	---	S1-02435844000	S1-02435844000
14	Relay, Start	S1-02425035000	S1-02425053000	---	---
15	Capacitor, Start	S1-02425076700	S1-02425076700	---	---
16	Control Board, Demand Defrost	S1-03103498000	S1-03103498000	S1-03103498000	S1-03103498000
17	Switch, Pressure (High)	S1-02547283000	S1-02547283000	S1-02547283000	S1-02547283000
18	Sensor, Temp. Defrost Thermistor	S1-02547281000	S1-02547281000	S1-02547281000	S1-02547281000
19	TXV	S1-02547301000	S1-02547301000	S1-02547302000	S1-02538739060
20	Distributor, 4 Circuit	S1-02213022000	S1-02213022000	S1-02256124000	S1-02256124000
21	Valve, Reversing	S1-02547288000	S1-02547289000	S1-02547289000	S1-02547289000
22	Accumulator	S1-02634090000	S1-02634090000	S1-02625573008	S1-02625573008
23	Switch, Pressure (Low)	S1-02547286000	S1-02547286000	S1-02547286000	S1-02547286000
24*	Mount, Stand-off, Coil Guard (4 Req'd)	S1-02817062000	S1-02817062000	S1-02817062000	S1-02817062000
25	Kit, Motor Mounting (Acorn Nuts)	S1-36390117700	S1-36390117700	S1-36390117700	S1-36390117700
26	Guard, Fan	S1-02647770000	S1-02647770000	S1-02647771000	S1-02647771000
27	Motor, Fan	S1-02436227000	S1-02436227000	S1-02436244000	S1-02436244000
28	Wireway	S1-02816469000	S1-02816469000	S1-02816470000	S1-02816470000
29	Blade, Fan	S1-02642434000	S1-02642434000	S1-02647794000	S1-02647794000
30	Top	S1-07339395008	S1-07339395008	S1-07339395011	S1-07339395011
31	Panel, Coil Guard (2 Req'd)	---	---	---	---
31A	Panel, Coil Guard (LH)	S1-07339398027	S1-07339398027	S1-07339398031	S1-07339429007
31B	Panel, Coil Guard (RH)	S1-07339398025	S1-07339398025	S1-07339398029	S1-07339429006
32	Cover, Control Box	S1-07339400005	S1-07339400005	S1-07339400005	S1-07339400005
33	Box, Control	S1-07339396002	S1-07339396002	S1-07339396002	S1-07339396002
34	Panel, Block-Off	S1-07339399016	S1-07339399016	S1-07339399016	S1-07339430002
35	Post, Corner	S1-07339401011	S1-07339401011	S1-07339401011	S1-07339431002
36	Pan, Base	S1-07339397003	S1-07339397003	S1-07339397004	S1-07339397004
37	Plate, Control	S1-07339396004	S1-07339396004	S1-07339396004	S1-07339396004
38*	Harness, Wire, Low Voltage	S1-02547294000	S1-02547294000	S1-02547294000	S1-02547294000
39*	Harness, RV/Contactor/Cap	S1-02547295000	S1-02547295000	S1-02547295000	S1-02547295000
40*	Harness, Compressor	S1-02531884000	S1-02531884000	S1-02541088000	S1-02541088000
41	Gasket, Rain Guard	S1-02817106000	S1-02817106000	S1-02817106000	S1-02817106000
42	Badge, Branding	Consult S1 Account Rep.			
43	Cap, Seal	S1-02310745000	S1-02310745000	S1-02310745000	S1-02310745000
44	Core, Valve	S1-02202475700	S1-02202475700	S1-02202475700	S1-02202475700
45	Body, Valve	S1-02208982000	S1-02208982000	S1-02208982000	S1-02208982000
46*	Strap, Cable	S1-02527642000	S1-02527642000	S1-02527642000	S1-02527642000
47*	Damper, Rubber (Discharge Line)	S1-02817125000	---	---	S1-02817125000
48*	Damper, Rubber (Suction Line)	---	S1-02815165003	<b>S1-02815165003</b>	<b>S1-02815165003</b>
49*	Harness, Wire, Start Component	S1-02547246000	S1-02547246000	---	---
50	Tank, Compensator	---	S1-02635433000	S1-02635434000	---
51*	Wiring Diagram	5132848	5132848	5132848	5132848

**NOTE:** \*Not Shown  
New replacement parts shown in **bold** face type at the first printing of parts list dated 2/16.  
Major components and suggested stocking items are shown with shaded item number.  
"←" Across from row indicates a change in that row.  
--- Not applicable to specified model.

**TO ORDER AUTHORIZED FACTORY REPLACEMENT PARTS** - Contact your Source1 HVAC Parts Distributor or visit our website at [www.Source1Parts.com](http://www.Source1Parts.com) for a Distributor and Dealer listing.