



www.Source1Parts.com

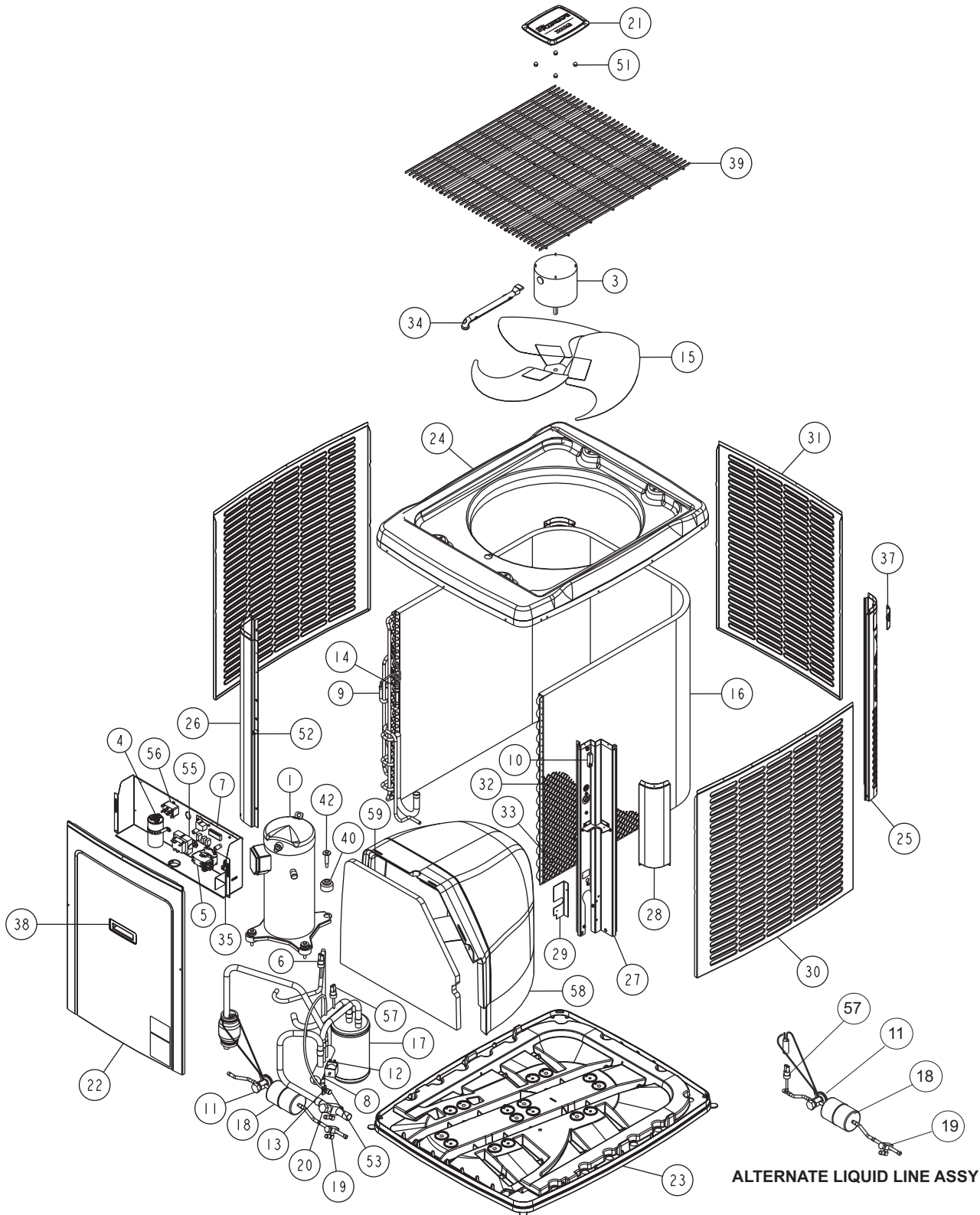
HVAC SERVICE PARTS

YZE CONCEALED SERIES - 15 SEER HEAT PUMP - OUTDOOR UNIT (R- 410A) (STYLE A)

Supersedes:035-21306-001 Rev. D (0408)

035-21306-001 Rev. E (0909)

1 of 4



ITEM	DESCRIPTION	YZE02411MXA	YZE02411HWA	YZE03611MXA	YZE03611HWA
1	Compressor	S1-01503668004	S1-01503668004	S1-01503669004	S1-01503669004
2*	Compressor Harness	S1-02531884000	S1-02531884000	S1-02531884000	S1-02531884000
3	Motor, Direct Drive Fan	S1-02427596000	S1-02427596000	S1-02427596000	S1-02427596000
4	Capacitor, Run (35/5MFD) [RC]	S1-02423998000	S1-02423998000	---	---
	Capacitor, Run (40/5MFD) [RC]	---	---	S1-02425893000	S1-02425893000
5	Contact, Electrical (40 AMP) [M]	S1-02425837000	S1-02425837000	S1-02425837000	S1-02425837000
6	Control Pressure (High)	S1-02538888001	S1-02538888001	S1-02538888001	S1-02538888001
7	Control Defrost	S1-03109178000	S1-03109178000	S1-03109178000	S1-03109178000
8	Reversing Valve	S1-02538947000	S1-02538947000	S1-02538947000	S1-02538947000
9	Sensor, Coil Temperature (3/8" Tube)	S1-03101276000	S1-03101276000	S1-03101276000	S1-03101276000
10	Ambient Sensor	S1-02532701000	S1-02532701000	S1-02532701000	S1-02532701000
11	TXV	S1-02538739036	S1-02538739036	S1-02538739042	S1-02538739042
12	Solenoid Coil (Rev. Valve)	S1-02538948000	S1-02538948000	S1-02538948000	S1-02538948000
13	Valve Body	S1-02208982000	S1-02208982000	S1-02208982000	S1-02208982000
14	Distributor Assembly	S1-02533424233	S1-02533424233	S1-02533424243	S1-02533424243
15	Blade, Fan	S1-02645757000	S1-02645757000	S1-02639502000	S1-02639502000
16	Coil, Condenser	S1-37326995202	S1-37326995202	S1-37326995209	S1-37326995209
17	Accumulator Tank	S1-02631681002	S1-02631681002	S1-02625573002	S1-02625573002
18	Filter/Drier	S1-02625512000	S1-02625512000	S1-02625512000	S1-02625512000
19	Valve Base, Liquid (3/8")	S1-02209064375	S1-02209064375	S1-02209064375	S1-02209064375
20	Valve Base, Suction (3/4")	S1-02209064750	S1-02209064750	S1-02209064750	S1-02209064750
21	Top Cap Assy	S1-02815865000	S1-02815865000	S1-02815865000	S1-02815865000
22	Access Panel	S1-07323886005	S1-07323887005	S1-07323886011	S1-07323887011
23	Pan, Base	S1-02814885001	S1-02814885001	S1-02814885001	S1-02814885001
24	Panel, Top	S1-07323886001	S1-07323887001	S1-07323886001	S1-07323887001
25	Corner Post, Front (2 Req'd)	S1-07323886006	S1-07323887006	S1-07323886012	S1-07323887012
26	Corner Post, Access	S1-07323886007	S1-07323887007	S1-07323886013	S1-07323887013
27	Corner Post, Valve	S1-07323886008	S1-07323887008	S1-07323886014	S1-07323887014
28	Corner Cover, Access	S1-07323886002	S1-07323887002	S1-07323886002	S1-07323887002
29	Bracket, Corner Post	S1-07326917116	S1-07326917116	S1-07326917116	S1-07326917116
30	Coil Guard, Side Slots (2 Req'd)	S1-07323886003	S1-07323887003	S1-07323886009	S1-07323887009
31	Coil Guard, Front Slots	S1-07323886004	S1-07323887004	S1-07323886010	S1-07323887010
32	Guard, Plastic Wire Mesh Coil	S1-02814879030	S1-02814879030	S1-02814879036	S1-02814879036
33	Fastener, Push-In (6 Req'd)	S1-02118381000	S1-02118381000	S1-02118381000	S1-02118381000
34	Wireway	S1-02813216001	S1-02813216001	S1-02813216001	S1-02813216001
35	Lug, Electrical	S1-02521798000	S1-02521798000	S1-02521798000	S1-02521798000
36*	Relief, Strain	S1-02509080000	S1-02509080000	S1-02509080000	S1-02509080000
37	Corner Bezel (1 Req'd)	S1-03519719000	S1-03519719000	S1-03519719000	S1-03519719000
38	Handle-Access	S1-02814886000	S1-02814886000	S1-02814886000	S1-02814886000
39	Guard, Fan	S1-02639438000	S1-02639438000	S1-02639438000	S1-02639438000
40	Grommet, Isolator (Comp) (Pkg. of 4)	S1-02810505000	S1-02810505000	S1-02810505000	S1-02810505000
41*	Grommet, Isolator (Accumulator) (2 Req'd)	S1-1212-0061	S1-1212-0061	S1-1212-0061	S1-1212-0061
42	Bolt, Compressor (4 Req'd)	S1-02118391000	S1-02118391000	S1-02118391000	S1-02118391000
43*	Screw, Black #10 x 3/8"	S1-02118396000	S1-02118396000	S1-02118396000	S1-02118396000
44*	Screw, Black #10 x 3/4"	S1-02118397000	S1-02118397000	S1-02118397000	S1-02118397000
45*	Screw, #8 x 1-1/2" Torx Head	S1-02118398000	S1-02118398000	S1-02118398000	S1-02118398000
46*	Diagram, Wiring	035-20407-001	035-20407-001	035-20407-001	035-20407-001
47*	Wiring Harness, Control	S1-37326955009	S1-37326955009	S1-37326955009	S1-37326955009
48*	Wiring Harness, Fan	S1-37320055004	S1-37320055004	S1-37320055004	S1-37320055004
49*	Wiring Harness, Low Voltage	S1-37326955003	S1-37326955003	S1-37326955003	S1-37326955003
50*	Wiring Harness, Solenoid(Comp)	S1-02538936000	S1-02538936000	S1-02538936000	S1-02538936000
51	Kit, Motor Mounting (Acorn Nuts)	S1-36390117700	S1-36390117700	S1-36390117700	S1-36390117700
52	Grommet, Plastic (Spacer, 2 Req'd)	S1-02814880000	S1-02814880000	S1-02814880000	S1-02814880000
53	Knurled Valve Cap, 1/4" OD	S1-02310745000	S1-02310745000	S1-02310745000	S1-02310745000
54*	Sensor, Discharge Temperature (1/2" Tube)	S1-03101278000	S1-03101278000	S1-03101278000	S1-03101278000
55	Transformer	S1-02518452000	S1-02518452000	S1-02518452000	S1-02518452000
56	Relay	S1-3024-3111	S1-3024-3111	S1-3024-3111	S1-3024-3111
57	Switch, Low Pressure	S1-02438889001	S1-02438889001	S1-02438889001	S1-02438889001
58	Bulkhead, Large	S1-02814887012	S1-02814887012	S1-02814887012	S1-02814887012
59	Insulation, Door	S1-01006922007	S1-01006922007	S1-01006922007	S1-01006922007
60*	Muffler	S1-02539847000	S1-02539847000	S1-02539847000	S1-02539847000
61*	Wiring Harness, Solenoid(Rev. Valve)	S1-02531923000	S1-02531923000	S1-02531923000	S1-02531923000

NOTE: *Not ShownNew replacement parts shown in **bold** face type at the first printing of parts list dated 9/09.

Major components and suggested stocking items are shown with shaded item number.

"←" Across from row indicates a change in that row.

--- Not applicable to specified model.

ITEM	DESCRIPTION	YZE04811MXA	YZE04811HWA	YZE06011MXA	YZE06011HWA
1	Compressor	S1-01503670004	S1-01503670004	S1-01503671004	S1-01503671004
2*	Compressor Harness	S1-02531884000	S1-02531884000	S1-02531884000	S1-02531884000
3	Motor, Direct Drive Fan	S1-02427596000	S1-02427596000	S1-02427596000	S1-02427596000
4	Capacitor, Run (45/5MFD) [RC]	S1-02425895000	S1-02425895000	---	---
	Capacitor, Run (80/5MFD) [RC]	---	---	S1-02426037000	S1-02426037000
5	Contact, Electrical (40 AMP) [M]	S1-02425837000	S1-02425837000	S1-02425837000	S1-02425837000
6	Control Pressure (High)	S1-02538888001	S1-02538888001	S1-02538888001	S1-02538888001
7	Control Defrost	S1-03109178000	S1-03109178000	S1-03109178000	S1-03109178000
8	Reversing Valve	S1-02538946000	S1-02538946000	S1-02538947000	S1-02538947000
9	Sensor, Coil Temperature (3/8" Tube)	S1-03101276000	S1-03101276000	S1-03101276000	S1-03101276000
10	Ambient Sensor	S1-02532701000	S1-02532701000	S1-02532701000	S1-02532701000
11	TXV	S1-02538739060	S1-02538739060	S1-02538739070	S1-02538739070
12	Solenoid Coil (Rev. Valve)	S1-02538948000	S1-02538948000	S1-02538948000	S1-02538948000
13	Valve Body	S1-02208982000	S1-02208982000	S1-02208982000	S1-02208982000
14	Distributor Assembly	S1-02533424236	S1-02533424236	S1-02533424236	S1-02533424236
15	Blade, Fan	S1-02639502000	S1-02639502000	S1-02639502000	S1-02639502000
16	Coil, Condenser	S1-37326995204	S1-37326995204	S1-37326995212	S1-37326995212
17	Accumulator Tank	S1-02625573007	S1-02625573007	S1-02625573007	S1-02625573007
18	Filter/Drier	S1-02625512000	S1-02625512000	S1-02625512000	S1-02625512000
19	Valve Base, Liquid (3/8")	S1-02209064375	S1-02209064375	S1-02209064375	S1-02209064375
20	Valve Base, Suction (7/8")	S1-02209064875	S1-02209064875	S1-02209064875	S1-02209064875
21	Top Cap Assy	S1-02815865000	S1-02815865000	S1-02815865000	S1-02815865000
22	Access Panel	S1-07323886011	S1-07323887011	S1-07323886011	S1-07323887011
23	Pan, Base	S1-02814885001	S1-02814885001	S1-02814885001	S1-02814885001
24	Panel, Top	S1-07323886001	S1-07323887001	S1-07323886001	S1-07323887001
25	Corner Post, Front (2 Req'd)	S1-07323886012	S1-07323887012	S1-07323886012	S1-07323887012
26	Corner Post, Access	S1-07323886013	S1-07323887013	S1-07323886013	S1-07323887013
27	Corner Post, Valve	S1-07323886014	S1-07323887014	S1-07323886014	S1-07323887014
28	Corner Cover, Access	S1-07323886002	S1-07323887002	S1-07323886002	S1-07323887002
29	Bracket, Corner Post	S1-07326917116	S1-07326917116	S1-07326917116	S1-07326917116
30	Coil Guard, Side Slots (2 Req'd)	S1-07323886009	S1-07323887009	S1-07323886009	S1-07323887009
31	Coil Guard, Front Slots	S1-07323886010	S1-07323887010	S1-07323886010	S1-07323887010
32	Guard, Plastic Wire Mesh Coil	S1-02814879036	S1-02814879036	S1-02814879036	S1-02814879036
33	Fastener, Push-In (6 Req'd)	S1-02118381000	S1-02118381000	S1-02118381000	S1-02118381000
34	Wireway	S1-02813216001	S1-02813216001	S1-02813216001	S1-02813216001
35	Lug, Electrical	S1-02521798000	S1-02521798000	S1-02521798000	S1-02521798000
36*	Relief, Strain	S1-02509080000	S1-02509080000	S1-02509080000	S1-02509080000
37	Corner Bezel (1 Req'd)	S1-03519719000	S1-03519719000	S1-03519719000	S1-03519719000
38	Handle, Access	S1-02814886000	S1-02814886000	S1-02814886000	S1-02814886000
39	Guard, Fan	S1-02639438000	S1-02639438000	S1-02639438000	S1-02639438000
40	Grommet, Isolator (Comp) (Pkg. of 4)	S1-02810505000	S1-02810505000	S1-02810505000	S1-02810505000
41*	Grommet, Isolator (Accumulator) (2 Req'd)	S1-1212-0061	S1-1212-0061	S1-1212-0061	S1-1212-0061
42	Bolt, Compressor (4 Req'd)	S1-02118391000	S1-02118391000	S1-02118391000	S1-02118391000
43*	Screw, Black #10 x 3/8"	S1-02118396000	S1-02118396000	S1-02118396000	S1-02118396000
44*	Screw, Black #10 x 3/4"	S1-02118397000	S1-02118397000	S1-02118397000	S1-02118397000
45*	Screw, #8 x 1-1/2" Torx Head	S1-02118398000	S1-02118398000	S1-02118398000	S1-02118398000
46*	Diagram, Wiring	035-20407-001	035-20407-001	035-20407-001	035-20407-001
47*	Wiring Harness, Control	S1-37326955009	S1-37326955009	S1-37326955009	S1-37326955009
48*	Wiring Harness, Fan	S1-37320055004	S1-37320055004	S1-37320055004	S1-37320055004
49*	Wiring Harness, Low Voltage	S1-37326955003	S1-37326955003	S1-37326955003	S1-37326955003
50*	Wiring Harness, Solenoid (Comp)	S1-02538936000	S1-02538936000	S1-02538936000	S1-02538936000
51	Kit, Motor Mounting (Acorn Nuts)	S1-36390117700	S1-36390117700	S1-36390117700	S1-36390117700
52	Grommet, Plastic (Spacer, 2 Req'd)	S1-02814880000	S1-02814880000	S1-02814880000	S1-02814880000
53	Knurled Valve Cap, 1/4" OD	S1-02310745000	S1-02310745000	S1-02310745000	S1-02310745000
54*	Sensor, Discharge Temperature (1/2" Tube)	S1-03101278000	S1-03101278000	S1-03101278000	S1-03101278000
55	Transformer	S1-02518452000	S1-02518452000	S1-02518452000	S1-02518452000
56	Relay	S1-3024-3111	S1-3024-3111	S1-3024-3111	S1-3024-3111
57	Switch, Low Pressure	S1-02438889001	S1-02438889001	S1-02438889001	S1-02438889001
58	Bulkhead, Large	S1-02814887012	S1-02814887012	S1-02814887012	S1-02814887012
59	Insulation, Door	S1-01006922007	S1-01006922007	S1-01006922007	S1-01006922007
60*	Muffler	S1-02539847000	S1-02539847000	S1-02539847000	S1-02539847000
61*	Wiring Harness, Solenoid (Rev. Valve)	S1-02531923000	S1-02531923000	S1-02531923000	S1-02531923000

NOTE: *Not ShownNew replacement parts shown in **bold** face type at the first printing of parts list dated 9/09.

Major components and suggested stocking items are shown with shaded item number.

"←" Across from row indicates a change in that row.

--- Not applicable to specified model.

TO ORDER AUTHORIZED FACTORY REPLACEMENT PARTS - Contact your Source1 HVAC Parts Distributor or visit our website at www.Source1Parts.com for a Distributor and Dealer listing.