



www.Source1Parts.com

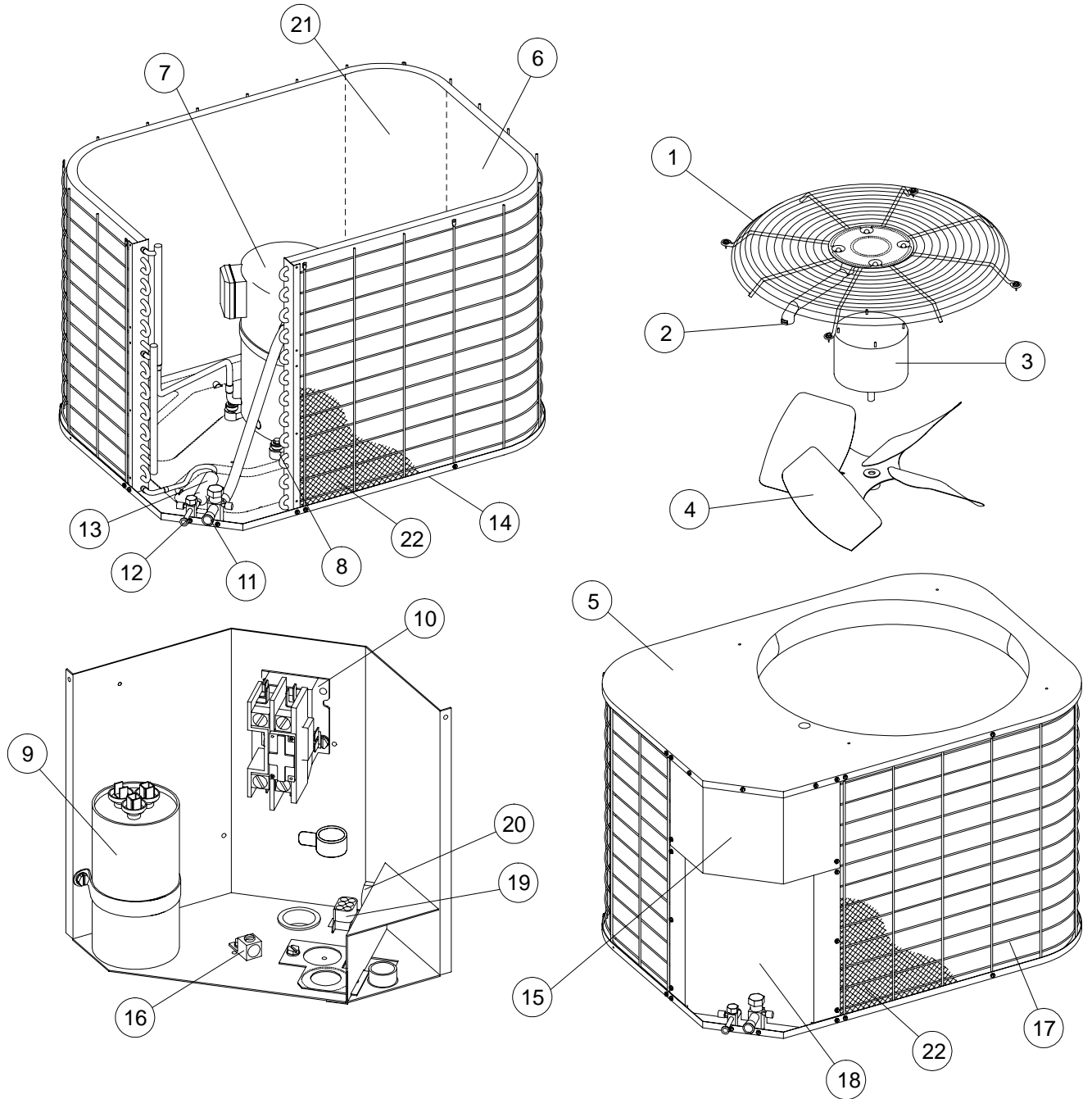
H1RA SERIES, 10 SEER, 50HZ X3 SPLIT AIR CONDITIONER (STYLE G) INCLUDES H2RA060 and H1RA076 (STYLE A)

HVAC SERVICE PARTS

Supersedes:035-20514-001 Rev. D (0407)

035-20514-001 Rev. E (0108)

1 of 4



208/230 VOLT THREE PHASE 50 HZ					
ITEM	DESCRIPTION	H1RA018S78G	H1RA024S78G	H1RA030S78G	H1RA036S78G
1	Guard, Fan	S1-02635511118	S1-02635511118	S1-02635511118	S1-02635511118
2	Wireway	S1-02813215000	S1-02813215000	S1-02813215000	S1-02813215000
3	Motor, Direct Drive Fan	S1-02427684010	S1-02427684010	S1-02427685000	S1-02427685000
4	Blade, Fan (18")	S1-02634091000	S1-02634091000	S1-02634092000	S1-02634092000
5	Panel, Top	S1-07320011001	S1-07320011001	S1-07320011001	S1-07320011001
6	Coil, Condenser	S1-37319800001	S1-37319800001	S1-37319800002	S1-37319800002
7	Compressor, Hermetic	S1-01503144004	S1-01503145004	S1-01503146004	S1-01503147004
7A*	Compressor Plug Harness	S1-02531883000	S1-02531883000	S1-02531883000	S1-02531883000
8	Mount, Cushion (Pkg. of 4)	S1-9435-1081	S1-9435-1081	S1-9435-1081	S1-9435-1081
9	Capacitor, Run (30/5MFD) [RC]	S1-02424778000	---	---	---
	Capacitor, Run (35/5MFD) [RC]	---	S1-02423998000	---	S1-02425859000
	Capacitor, Run (50/5MFD) [RC]	---	---	S1-02425338000	---
10	Contact, Electrical (30 AMP) [M]	S1-02427531000	S1-02427531000	S1-02427531000	S1-02427531000
11	Valve, Suction (3/4")	S1-02531900000	S1-02531900000	S1-02531900000	S1-02531900000
12	Valve, Liquid (3/8")	S1-02531899000	S1-02531899000	S1-02531899000	S1-02531899000
13	Drier, Filter	S1-02922156000	S1-02922156000	S1-02922156000	S1-02922156000
14	Pan, Base	S1-07320045001	S1-07320045001	S1-07320045001	S1-07320045001
15	Cover, Electrical Box	S1-07320018001	S1-07320018001	S1-07320018001	S1-07320018001
16	Lug, Ground	S1-02521798000	S1-02521798000	S1-02521798000	S1-02521798000
17	Guard, Coil (1 Set)	S1-37323714001	S1-37323714001	S1-37323714001	S1-37323714002
18	Plate, Blockoff	S1-07320028018	S1-07320028018	S1-07320028036	S1-07320028036
19	Plug, Electrical	S1-02533306006	S1-02533306006	S1-02533306006	S1-02533306006
20	Relief, Strain	S1-02509687000	S1-02509687000	S1-02509687000	S1-02509687000
21	Panel, Corner	S1-07320012001	S1-07320012001	S1-07320012002	S1-07320012002
22	Guard, Wire Mesh Coil	S1-02814725000	S1-02814725000	S1-02814726000	S1-02814726000
23*	Diagram, Wiring	035-15894-501	035-15894-501	035-15894-501	035-15894-501
24*	Orifice (.051)	S1-02919387021	---	---	---
	Orifice (.057)	---	S1-02919387009	---	---
	Orifice (.069)	---	---	S1-02919387004	---
	Orifice (.071)	---	---	---	S1-02919387029
25*	Kit, Motor Mounting (Acorn Nuts)	S1-36390117700	S1-36390117700	S1-36390117700	S1-36390117700

NOTE: *Not ShownNew replacement parts shown in **bold** face type at the first printing of parts list dated 1/08.

Major components and suggested stocking items are shown with shaded item number.

"←" Across from row indicates a change in that row.

--- Not applicable to specified model.



380 VOLT THREE PHASE 50 HZ						
ITEM	DESCRIPTION	H1RA036S50G	H1RA048S50G	H1RA060S50G	H2RA060S50A	H1RA076S50A
1	Guard, Fan	S1-02635511118	S1-02635511122	S1-02635511122	S1-02635511122	S1-02635511124
2	Wireway	S1-02813215000	S1-02813216001	S1-02813216001	S1-02813216001	S1-02813297000
3	Motor, Direct Drive Fan	S1-02427532000	S1-02427671000	S1-02427671000	S1-02427671000	S1-02427671000
4	Blade, Fan (18")	S1-02634092000	---	---	---	---
	Blade, Fan (22")	---	S1-02635599000	S1-02635599000	S1-02635599000	---
	Blade, Fan (24")	---	---	---	---	S1-02642579000 <
5	Panel, Top	S1-07320011001	S1-07320042801	S1-07320042801	S1-07320042801	S1-07323857001
6	Coil, Condenser	S1-37319800002	S1-37319800004	S1-37319800006	S1-37319800006	S1-37323800001
7	Compressor, Hermetic	S1-01503137004	S1-01503148004	S1-01503149004	S1-01503662004	S1-01502924004
7A*	Compressor Plug Harness	---	---	---	---	---
8	Mount, Cushion (Pkg. of 4)	S1-9435-1081	S1-9435-1081	---	---	---
	Mount, Cushion (4 Req'd)	---	---	S1-02812355000	S1-02812355000	S1-02812355000
9	Capacitor, Run (5MFD) [RC]	S1-02420043700	S1-02420043700	S1-02420043700	S1-02420043700	S1-02420043700
10	Contact, Electrical (30 AMP) [M]	S1-02425842700	S1-02425842700	S1-02425842700	S1-02425842700	S1-02425842700
11	Valve, Suction (3/4")	S1-02531900000	S1-02531900000	S1-02531900000	---	---
	Valve, Suction (7/8")	---	---	---	S1-02531901000	---
	Valve, Suction (1 1/8")	---	---	---	---	S1-02318363000
12	Valve, Liquid (3/8")	S1-02531899000	S1-02531899000	S1-02531899000	S1-02531899000	---
	Valve, Liquid (1/2")	---	---	---	---	S1-02318362000
13	Drier, Filter	S1-02922156000	S1-02922157000	S1-02922157000	S1-02922157000	S1-02614777712
14	Pan, Base	S1-07320045001	S1-07320004801	S1-07320004801	S1-07320004801	S1-07319001500
15	Cover, Electrical Box	S1-07320018001	S1-07320018001	S1-07320018001	S1-07320018001	S1-07320018001
16	Lug, Ground	S1-02521798000	S1-02521798000	S1-02521798000	S1-02521798000	S1-02521798000
17	Guard, Coil (1 Set)	S1-37323714002	S1-37323714004	S1-37323714009	S1-37323714009	---
	Guard, Coil (left)	---	---	---	---	S1-37323760005
	Guard, Coil (right)	---	---	---	---	S1-37323760004
18	Plate, Blockoff	S1-07320028036	S1-07320002801	S1-07320018002	S1-07320018002	S1-07320002801
19	Plug, Electrical	S1-02533306006	S1-02533306006	S1-02533306006	S1-02533306006	S1-02533306006
20	Relief, Strain	S1-02509687000	S1-02509687000	S1-02509687000	S1-02509687000	S1-02509687000
21	Panel, Corner	S1-07320012002	S1-07320012004	S1-07320012007	S1-07320012007	S1-07320012004
22	Guard, Wire Mesh Coil	S1-02814726000	S1-02814728000	S1-02814733000	S1-02814733000	S1-02814729000
23*	Diagram, Wiring	035-15751-502	035-15751-502	035-15751-502	035-15751-502	035-15843-002
24*	Orifice (.071)	S1-02919387029	---	---	---	---
	Orifice (.084)	---	029-19387-019	---	---	---
25*	Kit, Motor Mounting (Acorn Nuts)	S1-36390117700	S1-36390117700	S1-36390117700	S1-36390117700	S1-36390117700
26*	Filler, Panel	---	---	---	---	S1-07323758003
27*	Transformer	---	---	---	---	S1-02530377000
28*	Distributor	---	---	---	---	S1-02623209000

NOTE: *Not ShownNew replacement parts shown in **bold** face type at the first printing of parts list dated 1/08.

Major components and suggested stocking items are shown with shaded item number.

"←" Across from row indicates a change in that row.

--- Not applicable to specified model.



This document Appends: 035-16371-002 Rev. D (0104).

TO ORDER AUTHORIZED FACTORY REPLACEMENT PARTS - Contact your Source1 HVAC Parts Distributor or visit our website at www.Source1Parts.com for a Distributor and Dealer listing.