



www.Source1Parts.com

TPLC SERIES 80% MODULATING VARIABLE SPEED ECM MULTI-POSITION 33" NATURAL GAS FURNACES 2ND GENERATION LOW NOX (STYLE C)

HVAC SERVICE PARTS

Supersedes: Nothing

035-23945-001 Rev. A (0213)

1 of 4

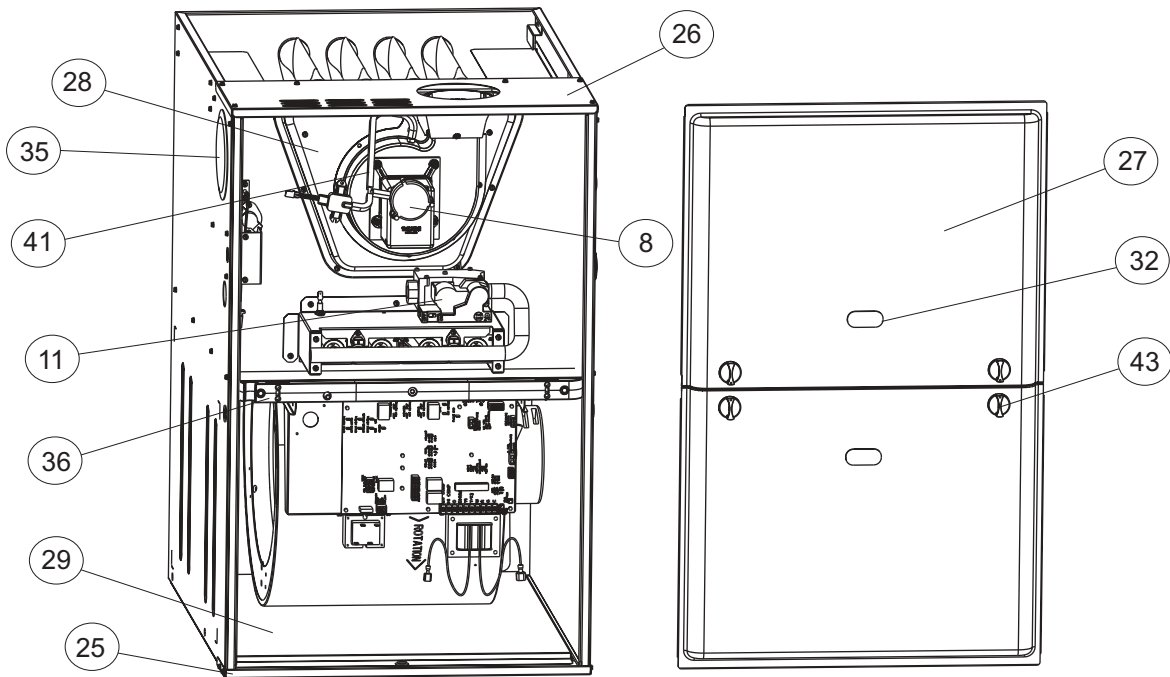


Figure 1: 80% MODULATING VARIABLE SPEED (ECM) MULTI-POSITION NATURAL GAS FURNACES

FIG	ITEM	DESCRIPTION	TPLC060A12MP12CC	TPLC080B12MP12CC	TPLC080C16MP12CC
			(3 BURNER)	(4 BURNER)	(4 BURNER)
MOTOR					
2	1	MTR, BLOWER, ECM w/MODULE (PRGMD)	S1-32436073267	S1-32436073267	S1-32436074268
*	1A	MOTOR, BLOWER, ECM LESS MODULE (UNPRGD)	S1-02436073000	S1-02436073000	S1-02436074000
		MODULE, CONTROL, PRGMD	S1-32436079267	S1-32436079267	S1-32436080268
		MODULE, CONTROL, UNPRGMD	S1-02436079000	S1-02436079000	S1-02436080000
1,2	2	BLOWER, COMBUSTION	S1-02642550000	S1-02642550000	S1-02642550000
ELECTRICAL					
2	3	CHOKE, PSC	---	---	S1-02435605000
2	4	SWITCH, LIMIT (250 Deg, Man Reset, 2 Req'd)	S1-02541318000	S1-02541318000	S1-02541318000
2	5	CONTROL, FURNACE	S1-33102984000	S1-33102984000	S1-33102984000
3	6	IGNITER	S1-02545231000	S1-02545231000	S1-02545231000
3	7	SENSOR, FLAME	S1-02537499000	S1-02537499000	S1-02537499000
1,2	8	SWITCH, PRESSURE	S1-02435977000	S1-02435977000	S1-02435977000
2	9	SWITCH, DOOR	S1-02435738000	S1-02435738000	S1-02435738000
2	10	TRANSFORMER	S1-2940A3541	S1-2940A3541	S1-2940A3541
1,3	11	VALVE, GAS	S1-02543257000	S1-02543257000	S1-02543257000
2	12	CONTROL, TEMPERATURE	S1-02541321000	S1-02541322000	S1-02541322000
2	13	SENSOR, PRESSURE	S1-02435922000	S1-02435922000	S1-02435922000
2	14	SENSOR, THERMISTOR	S1-03109199000	S1-03109199000	S1-03109199000
AIR MOVING					
2	15	HOUSING, BLOWER	S1-37327824001	S1-37327824001	S1-37327824002
2	16	WHEEL, BLOWER	S1-02619654709	S1-02619654709	S1-02619654014

NOTE: *Not Shown
 New replacement parts shown in **bold** face type at the first printing of parts list dated 2/13.
 Major components and suggested stocking items are shown with shaded item number.
 "<" Across from row indicates a change in that row.
 --- Not applicable to specified model.



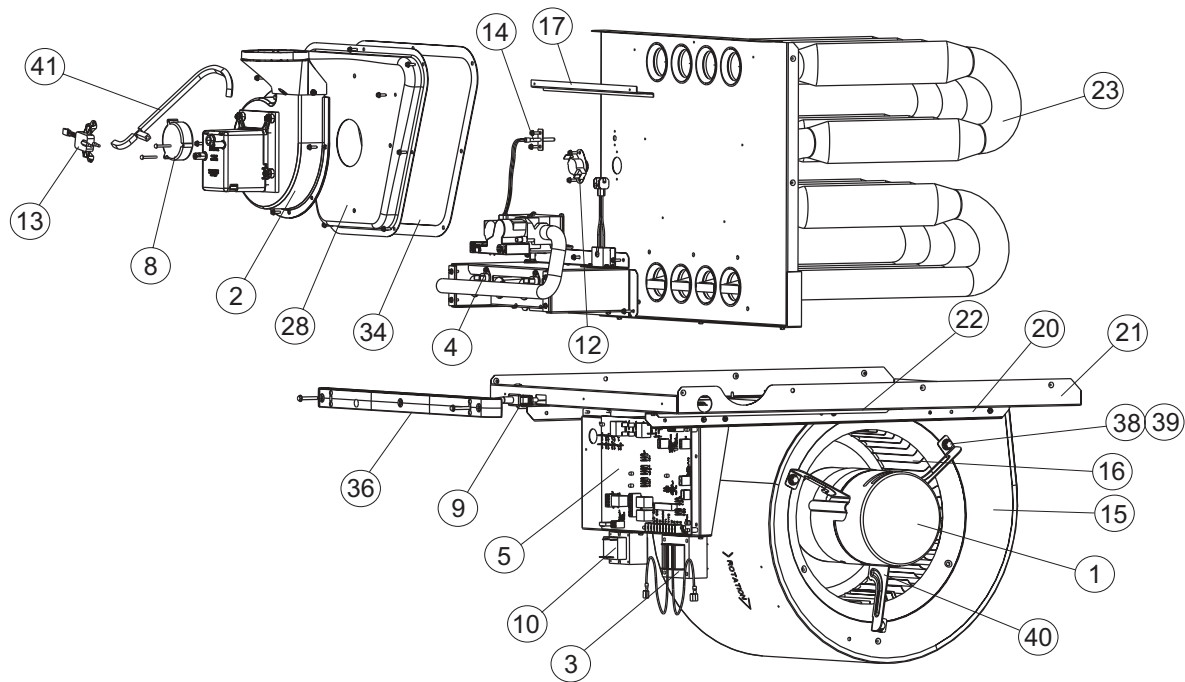


Figure 2: 80% MODULATING VARIABLE SPEED (ECM) MULTI-POSITION NATURAL GAS FURNACES

FIG	ITEM	DESCRIPTION	TPLC060A12MP12CC	TPLC080B12MP12CC	TPLC080C16MP12CC
			(3 BURNER)	(4 BURNER)	(4 BURNER)
FABRICATED PARTS					
2	17	BAFFLE, FLUE	S1-07327829002	S1-07327829003	S1-07327829003
3	18	BURNER, MAIN GAS	S1-02920482000	S1-02920482000	S1-02920482000
	19				
2	20	SHELF, BLOWER	S1-07327823001	S1-07327823002	S1-07327823003
2	21	RAIL, BLOWER (2 Req'd)	S1-07327825001	S1-07327825001	S1-07327825001
2	22	BRACKET, BLOWER TRACK (2 Req'd)	S1-07327825002	S1-07327825002	S1-07327825002
2	23	HEAT EXCHANGER ASS'Y	S1-37327849001	S1-37327849002	S1-37327849003
3	24	MANIFOLD, GAS	S1-02924467000	S1-02924468000	S1-02924468000
1	25	PAN, BOTTOM	S1-07327841001	S1-07327841002	S1-07327841003
1	26	PANEL, TOP	S1-07327828001	S1-07327828002	S1-07327828003
1	27	PANEL, DOOR (2 Req'd)	S1-37327822001	S1-37327822002	S1-37327822003
1,2	28	VENT PAN, COMBUSTION (w/Gasket)	S1-07327826001	S1-07327826001	S1-07327826001
1	29	PANEL, BLOCKOFF	S1-07327827001	S1-07327827002	S1-07327827003
*	30	LO-NOX SCREEN (L-Models Only)	S1-02635452000	S1-02635452000	S1-02635452000
MISCELLANEOUS					
3	31	ORIFICE, BURNER (Natural #45)	S1-02921182045	S1-02921182045	S1-02921182045
1	32	SIGHT GLASS, OVAL (2 Req'd)	S1-02538899000	S1-02538899000	S1-02538899000
*	33	GASKET, FOAM (Door) (per ft.)	S1-02815517000	S1-02815517000	S1-02815517000
2	34	GASKET, INTAKE PAN	S1-02815510000	S1-02815510000	S1-02815510000
1	35	PLUG, VENT HOLE	S1-02815516000	S1-02815516000	S1-02815516000
1,2	36	BRACKET, DOOR	S1-02815512000	S1-02815513000	S1-02815514000
*	37	HARNESS, MAIN WIRING	S1-02543262000	S1-02543262000	S1-02543262000
2	38	FERRULE (3 Req'd)	S1-02320541000	S1-02320541000	S1-02320541000
2	39	GROMMET (3 Req'd)	S1-02814740000	S1-02814740000	S1-02814740000
2	40	MOTOR MOUNT (Includes item 38 & 39)	S1-37319831002	S1-37319831002	S1-37319831002
2	41	HOSE ASSY, VACUUM	S1-02815867000	S1-02815867000	S1-02815867000
*	42	PLUG, ID (Control Board)	S1-02541352000	S1-02541353000	S1-02541354000
1	43	KNOB, QUARTER TURN (4 Req'd)	S1-02924485000	S1-02924485000	S1-02924485000
	44				
*	45	MOTOR WIRING HARNESS	S1-025541460000	S1-025541460000	S1-025541460000
*	46	DIAGRAM, WIRING	998911	998911	998911
*	47	HARNESS, ECM CONTROL	S1-02541349000	S1-02541349000	S1-02541349000

NOTE: *Not Shown
 New replacement parts shown in **bold** face type at the first printing of parts list dated 2/13.
 Major components and suggested stocking items are shown with shaded item number.
 "<" Across from row indicates a change in that row.
 --- Not applicable to specified model.

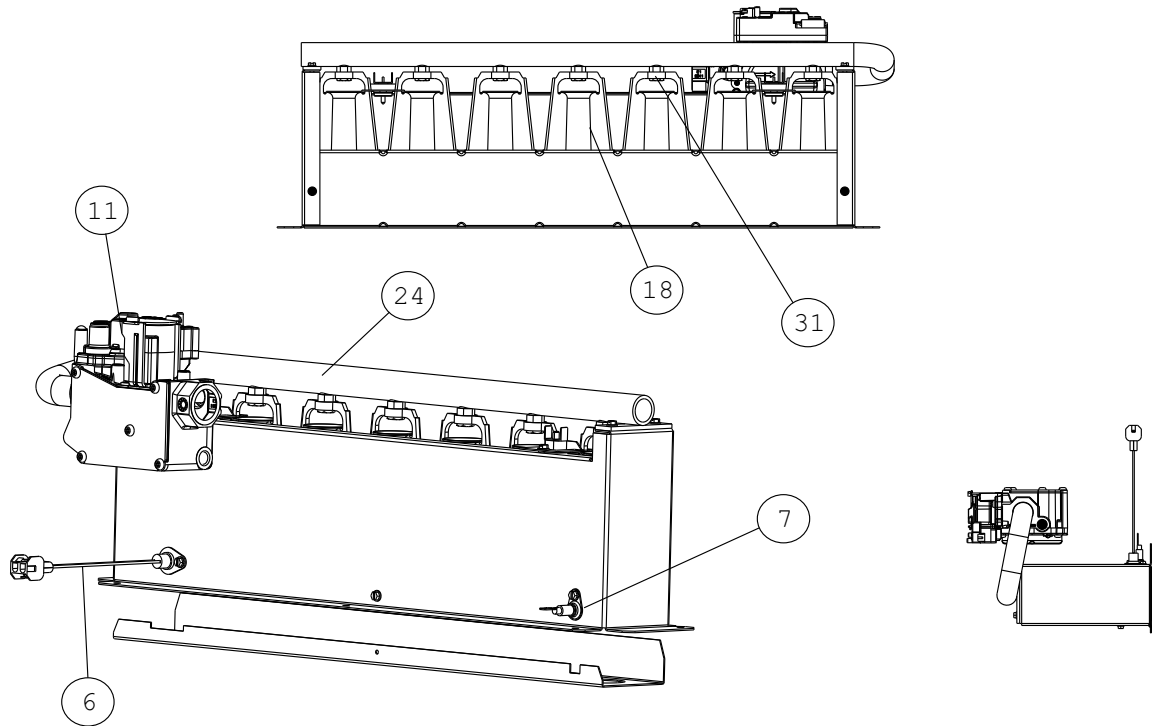


Figure 3: GAS CONTROLS

FIG	ITEM	DESCRIPTION	TPLC100C16MP12CC	TPLC100C20MP12CC	TPLC120C20MP12CC
			(5 BURNER)	(5 BURNER)	(6 BURNER)
MOTOR					
2	1	MTR, BLOWER, ECM w/MODULE (PRGMD)	S1-32436074268	S1-32436074269	S1-32436074269
		MOTOR, BLOWER, ECM LESS MODULE (UNPRGD)	S1-02436074000	S1-02436074000	S1-02436074000
*	1A	MODULE, CONTROL, PRGMD	S1-32436080268	S1-32436081269	S1-32436081269
		MODULE, CONTROL, UNPRGMD	S1-02436080000	S1-02436081000	S1-02436081000
1,2	2	BLOWER, COMBUSTION	S1-02642550000	S1-02642550000	S1-02642550000
ELECTRICAL					
2	3	CHOKE, PSC	S1-02435605000	S1-02435604000	S1-02435604000
2	4	SWITCH, LIMIT (250 Deg, Man Reset, 2 Req'd)	S1-02541318000	S1-02541318000	S1-02541318000
2	5	CONTROL, FURNACE	S1-33102984000	S1-33102984000	S1-33102984000
3	6	IGNITER	S1-02545231000	S1-02545231000	S1-02545231000
3	7	SENSOR, FLAME	S1-02537499000	S1-02537499000	S1-02537499000
1,2	8	SWITCH, PRESSURE	S1-02435977000	S1-02435977000	S1-02435977000
2	9	SWITCH, DOOR	S1-02435738000	S1-02435738000	S1-02435738000
2	10	TRANSFORMER	S1-2940A3541	S1-2940A3541	S1-2940A3541
1,3	11	VALVE, GAS	S1-02543257000	S1-02543257000	S1-02543257000
2	12	CONTROL, TEMPERATURE	S1-02541322000	S1-02541322000	S1-02541319000
2	13	SENSOR, PRESSURE	S1-02435922000	S1-02435922000	S1-02435922000
2	14	SENSOR, THERMISTOR	S1-03109199000	S1-03109199000	S1-03109199000
AIR MOVING					
2	15	HOUSING, BLOWER	S1-37327824002	S1-37327824003	S1-37327824003
2	16	WHEEL, BLOWER	S1-02619654014	S1-02638510000	S1-02638510000

NOTE: *Not Shown

New replacement parts shown in **bold** face type at the first printing of parts list dated 2/13.

Major components and suggested stocking items are shown with shaded item number.

"<" Across from row indicates a change in that row.

--- Not applicable to specified model.

FIG	ITEM	DESCRIPTION	TPLC100C16MP12CC	TPLC100C20MP12CC	TPLC120C20MP12CC
			(5 BURNER)	(5 BURNER)	(6 BURNER)
FABRICATED PARTS					
2	17	BAFFLE, FLUE	S1-07327829007	S1-07327829007	S1-07327829005
3	18	BURNER, MAIN GAS	S1-02920482000	S1-02920482000	S1-02920482000
	19				
2	20	SHELF, BLOWER	S1-07327823003	S1-07327823004	S1-07327823004
2	21	RAIL, BLOWER (2 Req'd)	S1-07327825001	S1-07327825001	S1-07327825001
2	22	BRACKET, BLOWER TRACK (2 Req'd)	S1-07327825002	S1-07327825002	S1-07327825002
2	23	HEAT EXCHANGER ASS'Y	S1-37327849004	S1-37327849004	S1-37327849005
3	24	MANIFOLD, GAS	S1-02924469000	S1-02924469000	S1-02924470000
1	25	PAN, BOTTOM	S1-07327841003	S1-07327841003	S1-07327841003
1	26	PANEL, TOP	S1-07327828003	S1-07327828003	S1-07327828004
1	27	PANEL, DOOR (2 Req'd)	S1-37327822003	S1-37327822003	S1-37327822003
1,2	28	VENT PAN, COMBUSTION (w/Gasket)	S1-07327826001	S1-07327826001	S1-07327826002
1	29	PANEL, BLOCKOFF	S1-07327827003	S1-07327827003	S1-07327827003
*	30	LO-NOX SCREEN (L-Models Only)	S1-02635452000	S1-02635452000	S1-02635452000
MISCELLANEOUS					
3	31	ORIFICE, BURNER (Natural #45)	S1-02921182045	S1-02921182045	S1-02921182045
1	32	SIGHT GLASS, OVAL (2 Req'd)	S1-02538899000	S1-02538899000	S1-02538899000
*	33	GASKET, FOAM (Door) (per ft.)	S1-02815517000	S1-02815517000	S1-02815517000
2	34	GASKET, INTAKE PAN	S1-02815510000	S1-02815510000	S1-02815511000
1	35	PLUG, VENT HOLE	S1-02815516000	S1-02815516000	S1-02815516000
1,2	36	BRACKET, DOOR	S1-02815514000	S1-02815514000	S1-02815514000
*	37	HARNESS, MAIN WIRING	S1-02543262000	S1-02543262000	S1-02543262000
2	38	FERRULE (3 Req'd)	S1-02320541000	S1-02320541000	S1-02320541000
2	39	GROMMET (3 Req'd)	S1-02814740000	S1-02814740000	S1-02814740000
2	40	MOTOR MOUNT (Includes item 38 & 39)	S1-37319831002	S1-37319831002	S1-37319831002
2	41	HOSE ASSY, VACUUM	S1-02815867000	S1-02815867000	S1-02815867000
*	42	PLUG, ID (Control Board)	S1-02541355000	S1-02541356000	S1-02541357000
1	43	KNOB, QUARTER TURN (4 Req'd)	S1-02924485000	S1-02924485000	S1-02924485000
	44				
*	45	MOTOR WIRING HARNESS	S1-025541460000	S1-025541460000	S1-025541460000
*	46	DIAGRAM, WIRING	998911	998911	998911
*	47	HARNESS, ECM CONTROL	S1-02541349000	S1-02541349000	S1-02541349000

NOTE: *Not Shown

New replacement parts shown in **bold** face type at the first printing of parts list dated 2/13.

Major components and suggested stocking items are shown with shaded item number.

"←" Across from row indicates a change in that row.

--- Not applicable to specified model.

TO ORDER AUTHORIZED FACTORY REPLACEMENT PARTS - Contact your Source1 HVAC Parts Distributor or visit our website at www.Source1Parts.com for a Distributor and Dealer listing.