

Figure 2

ITEM	FIG	DESCRIPTION	D7NX024D05606NXYA	D7NX024N03606NXYA	D7NX024N05606NXYA
Compressors					
1	3	Compressor	S1-01503668004	S1-01503668004	S1-01503668004
2	3	Cushion Mount	S1-02810505000	S1-02810505000	S1-02810505000
3	3	Bolt, Compressor	S1-02116047000	S1-02116047000	S1-02116047000
Condenser Fan Motor & Air Moving Components					
5	1	Motor, Fan	S1-02435612000	S1-02435612000	S1-02435612000
6	1	Blade, Fan	S1-02642455000	S1-02642455000	S1-02642455000
7	1	Guard, Fan	S1-02646742000	S1-02646742000	S1-02646742000
8	*	Wireway(26")	S1-02810070000	S1-02810070000	S1-02810070000
9	1	Roof, Condenser	S1-37319411003	S1-37319411003	S1-37319411003
10	*	Kit, Acorn Nut	S1-36390117700	S1-36390117700	S1-36390117700
Indoor Blower Motor & Air Moving Components					
12	1	Motor, Blower, Programmed	S1-32436073245	S1-32436073247	S1-32436073248
		Motor, Blower, Unprog (No Module)	S1-02436073000	S1-02436073000	S1-02436073000
		Module, ECM (Programmed)	S1-32436079245	S1-32436079247	S1-32436079248
		Module, ECM (Unprogrammed)	S1-02436079000	S1-02436079000	S1-02436079000
13	1	Wheel, Blower	S1-02632088702	S1-02632088702	S1-02632088702
14	1	Grommet, Motor Mount (3 Req' d)	S1-02814740000	S1-02814740000	S1-02814740000
15	1	Ferrule, Motor Mount (3 Req' d)	S1-02320541000	S1-02320541000	S1-02320541000
16	1	Housing, Blower	S1-37314999001	S1-37314999001	S1-37314999001
17	1	Assembly, Motor Mount	S1-07328479000	S1-07328479000	S1-07328479000
18	*	Cutoff, Blower	S1-07315272000	S1-07315272000	S1-07315272000
19	1	Plate, Blower	S1-07314983001	S1-07314983001	S1-07314983001
20	1	Switch,Aux Limit, Manual Reset	S1-02531834000	S1-02531834000	S1-02531834000
Electric Box					
22	*	Board, Control, CFM	S1-03103002000	S1-03103002000	S1-03103002000
23	1	Board, Control	S1-03109174000	S1-03109175000	S1-03109175000
24	1	Capacitor, Dual Run	S1-02423998700	S1-02423998700	S1-02423998700
25	1	Transformer	S1-02518452700	S1-02518452700	S1-02518452700
26	1	Contact	S1-02432004000	S1-02432004000	S1-02432004000
27	1	Lug, Electrical	S1-02521798000	S1-02521798000	S1-02521798000
28	1	Assist, Motor Start	---	---	---
29	*	Harness, Wire, Control	S1-02541213000	S1-02541216000	S1-02541216000
30	*	Diagram, Wiring	584707	276391	276391
Evaporator Coil, Condenser Coil, and Piping Components					
36	3	Coil, Evaporator	S1-37327326000	S1-37327326000	S1-37327326000
37	3	Valve, TXV/Distributor (Evap)	S1-02540970000	S1-02540970000	S1-02540970000
38	3	Coil, Condenser	S1-37327329000	S1-37327329000	S1-37327329000
39	3	Switch, High Pressure	S1-02538728000	S1-02538728000	S1-02538728000
40	3	Switch, Low Pressure	S1-02538729000	S1-02538729000	S1-02538729000
41	3	Filter Drier	S1-52634088000	S1-52634088000	S1-52634088000
42	3	Connector Tee, Pres Sw. (2 Req' d)	S1-02322437000	S1-02322437000	S1-02322437000
43	*	Valve, Schraeder (4 Req' d)	S1-02202475700	S1-02202475700	S1-02202475700
44	*	Cap, Seal (2 Req' d)	S1-02310745000	S1-02310745000	S1-02310745000
45					
Heating Section, Vent, Blower, and Gas Control Components					
48	2	Heat Exchanger Assy	S1-37314997703	S1-37314997702	S1-37314997703
49	2	Plate, Restrictor	S1-07327983001	S1-07319347002	S1-07319347003
50	2	Baffle, Restrictor	S1-07314993001	S1-07314993001	S1-07314993001
51	2	Flue, Exhaust	S1-07319344000	S1-07319344000	S1-07319344000
52	2	Blower, Vent	S1-02646427000	S1-02633999001	S1-02633999001
53	2	Gasket, Vent Blower	S1-02812467000	S1-02812467000	S1-02812467000
54	2	Valve, Gas	S1-02541218000	S1-VR8204M1026	S1-VR8204M1026
55	2	Manifold, Gas	S1-02921179000	S1-02921179000	S1-02921179000
56	2	Orifice, Gas (#43)	S1-02925456000	S1-02925456000	S1-02925456000
57	2	Ignitor, Spark, Pilot	S1-02541219000	S1-02541219000	S1-02541219000
58	2	Switch, Control Rollout	S1-02531812000	S1-02531812000	S1-02531812000
59	*	Switch, Limit, Auto Reset	S1-02531814000	S1-02531835000	S1-02531813000
60	2	Burner, Gas	S1-02921180000	S1-02921180000	S1-02921180000
61	2	Switch, Air Pressure	S1-02435707000	S1-02425975000	S1-02425975000
62	*	Gasket, High Temp	S1-02811648000	S1-02811648000	S1-02811648000
63	*	Screen, Lo-Nox	S1-02635452000	S1-02635452000	S1-02635452000

NOTE: *Not Shown

New replacement parts shown in **bold** face type at the first printing of parts list dated 3/14.

Major components and suggested stocking items are shown with shaded item number.

" <" Across from row indicates a change in that row.

--- Not applicable to specified model.

ITEM	FIG	DESCRIPTION	D7NX024D05606NX YA	D7NX024N03606NX YA	D7NX024N05606NX YA	<
Sheet Metal Components						
66	1	Base Rail, Front	S1-07319413000	S1-07319413000	S1-07319413000	
67	1	Base Rail, Back	S1-07319414000	S1-07319414000	S1-07319414000	
68	1	Base Rail, Side (2 Req' d)	S1-07319415000	S1-07319415000	S1-07319415000	
69	1	Post, Corner Assy	S1-37327360000	S1-37327360000	S1-37327360000	
71	1	Panel, Access, Blower	S1-37314979001	S1-37314979001	S1-37314979001	
72	1	Panel, Access, Heater	S1-07314981001	S1-07314981001	S1-07314981001	
73	1	Panel, Duct	S1-37319412004	S1-37319412004	S1-37319412004	
74	1	Post, Corner Assy, Front	S1-07314976001	S1-07314976001	S1-07314976001	
75	1	Post, Corner Assy, Left Front	S1-07320120000	S1-07320120000	S1-07320120000	
76	1	Duct Cover (2 Req' d)	S1-37314853000	S1-37314853000	S1-37314853000	
77	*	Screen, Flue	S1-02634000000	S1-02634000000	S1-02634000000	
78	1	Coil Guard (Front)	S1-02634530000	S1-07327317000	S1-07327317000	
79	1	Coil Guard (Side)	S1-02634531000	S1-07327319000	S1-07327319000	
80	*	Hood, Flue, Exhaust Outlet	S1-07314988000	S1-07314988000	S1-07314988000	
81	*	Deflector, Air, Front	S1-07314975000	S1-07314975000	S1-07314975000	
Drain Pan & Accessories						
87	*	Pan, Drain	S1-03200177001	S1-03200177001	S1-03200177001	
88	*	Plug, Drain Pan	S1-02812480000	S1-02812480000	S1-02812480000	
89	*	Drain Fitting	S1-7430-3011	S1-7430-3011	S1-7430-3011	
90	*	Tubing, Drain	S1-02815480000	S1-02815480000	S1-02815480000	

NOTE: *Not Shown
 New replacement parts shown in **bold** face type at the first printing of parts list dated 3/14.
 Major components and suggested stocking items are shown with shaded item number.
 “ < ” Across from row indicates a change in that row.
 --- Not applicable to specified model.

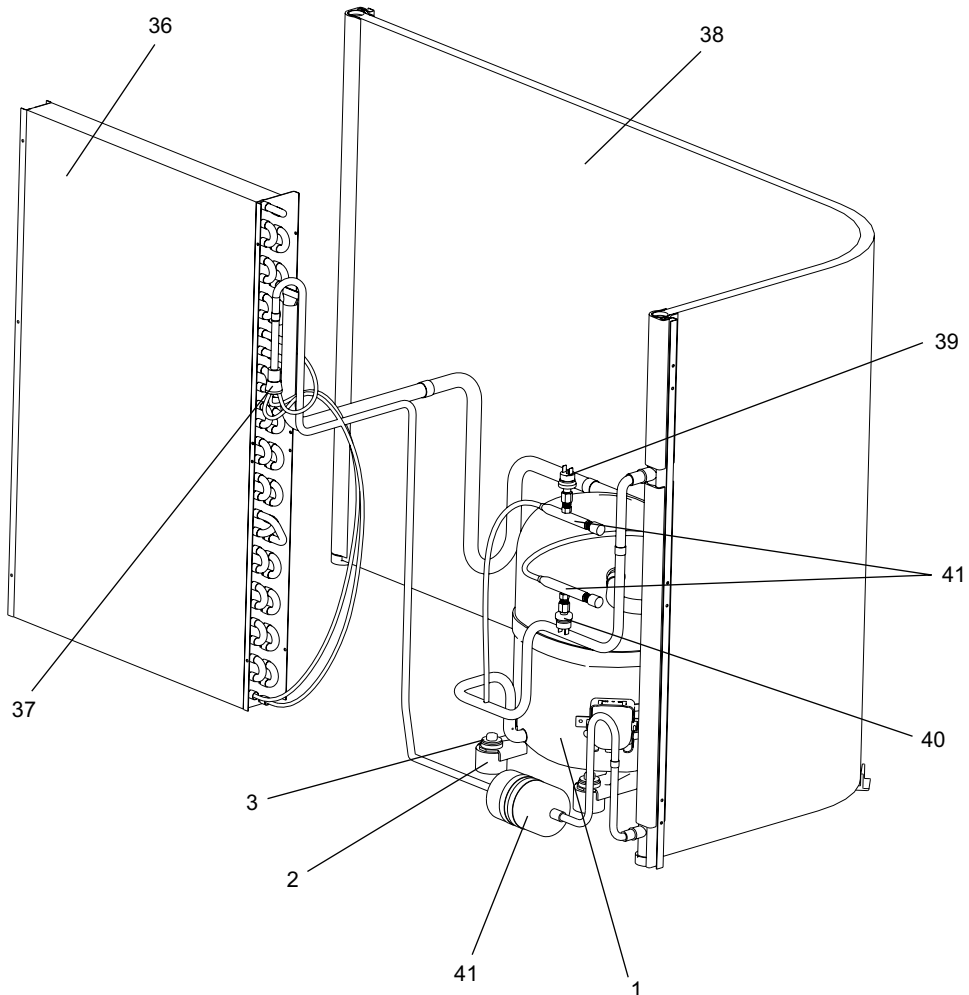


Figure 3

ITEM	FIG	DESCRIPTION	D7NX036D09006NXYA	D7NX036N06506NXYA	D7NX036N09006NXYA
Compressors					
1	3	Compressor	S1-01503669004	S1-01503669004	S1-01503669004
2	3	Cushion Mount	S1-02810505000	S1-02810505000	S1-02810505000
3	3	Bolt, Compressor	S1-02116047000	S1-02116047000	S1-02116047000
Condensor Fan Motor & Air Moving Components					
5	1	Motor, Fan	S1-02435582000	S1-02435582000	S1-02435582000
6	1	Blade, Fan	S1-02642445000	S1-02642445000	S1-02642445000
7	1	Guard, Fan	S1-02646742000	S1-02646742000	S1-02646742000
8	*	Wireway(26")	S1-02810070000	S1-02810070000	S1-02810070000
9	1	Roof, Condenser	S1-37319411003	S1-37319411003	S1-37319411003
10	*	Kit, Acorn Nut	S1-36390117700	S1-36390117700	S1-36390117700
Indoor Blower Motor & Air Moving Components					
12	1	Motor, Blower, Programmed	S1-32436074246	S1-32436074249	S1-32436074255
		Motor, Blower, Unprog (No Module)	S1-02436074000	S1-02436074000	S1-02436074000
		Module, ECM (Programmed)	S1-32436081246	S1-32436081249	S1-32436081255
		Module, ECM (Unprogrammed)	S1-02436081000	S1-02436081000	S1-02436081000
13	1	Wheel, Blower	See Item #16	See Item #16	See Item #16
14	1	Grommet, Motor Mount (3 Req' d)	S1-02814740000	S1-02814740000	S1-02814740000
15	1	Ferrule, Motor Mount (3 Req' d)	S1-02320541000	S1-02320541000	S1-02320541000
16	1	Housing, Blower (w/Wheel)	S1-02642533000	S1-02642533000	S1-02642533000
17	1	Assembly, Motor Mount	S1-07328479000	S1-07328479000	S1-07328479000
18					
19	1	Plate, Blower	S1-07316301001	S1-07316301001	S1-07316301001
20	1	Switch,Aux Limit, Manual Reset	S1-02531834000	S1-02531834000	S1-02531834000
Electric Box					
22	*	Board, Control, CFM	S1-03103002000	S1-03103002000	S1-03103002000
23	1	Board, Control	S1-03109174000	S1-03109175000	S1-03109175000
24	1	Capacitor, Dual Run	S1-02425893700	S1-02425893700	S1-02425893700
25	1	Transformer	S1-02518452700	S1-02518452700	S1-02518452700
26	1	Contacto	S1-02432004000	S1-02425840700	S1-02425840700
27	1	Lug, Electrical	S1-02521798000	S1-02521798000	S1-02521798000
28	1	Assist, Motor Start	---	---	---
29	*	Harness, Wire, Control	S1-02541213000	S1-02541216000	S1-02541216000
30	*	Diagram, Wiring	584708	276395	276395
31	1	Transformer	---	---	---
32	1	Breaker, Circuit	---	---	---
33	1	Block, Terminal	---	---	---
Evaporator Coil, Condensor Coil, and Piping Components					
36	3	Coil, Evaporator	S1-37327330000	S1-37327330000	S1-37327330000
37	3	Valve, Distributor w/Orifice (Evap)	S1-02211460000	S1-02211460000	S1-02211460000
38	3	Coil, Condenser	S1-37327331000	S1-37327331000	S1-37327331000
39	3	Switch, High Pressure	S1-02538728000	S1-02538728000	S1-02538728000
40	3	Switch, Low Pressure	S1-02538729000	S1-02538729000	S1-02538729000
41	3	Filter Drier	S1-52634088000	S1-52634088000	S1-52634088000
42	3	Connector Tee, Pres Sw. (2 Req' d)	S1-02322437000	S1-02322437000	S1-02322437000
43	*	Valve, Schraeder (4 Req' d)	S1-02202475700	S1-02202475700	S1-02202475700
44	*	Cap, Seal (2 Req' d)	S1-02310745000	S1-02310745000	S1-02310745000
45					
46	*	TXV (Evap)	S1-02541056000	S1-02541056000	S1-02541056000
Heating Section, Vent, Blower, and Gas Control Components					
48	2	Heat Exchanger Assy	S1-37316471704	S1-37316471703	S1-37316471704
49	2	Plate, Restrictor	S1-07319348004	S1-07319348003	S1-07319348004
50	2	Baffle, Restrictor	S1-07314993002	S1-07314993002	S1-07314993002
51	2	Flue, Exhaust	S1-07319344000	S1-07319344000	S1-07319344000
52	2	Blower, Vent	S1-02646427000	S1-02633999001	S1-02633999001
53	2	Gasket, Vent Blower	S1-02812467000	S1-02812467000	S1-02812467000
54	2	Valve, Gas	S1-02541218000	S1-VR8204M1026	S1-VR8204M1026
55	2	Manifold, Gas	S1-02921198000	S1-02921198000	S1-02921198000
56	2	Orifice, Gas (#40)	S1-02925455000	S1-02925455000	S1-02925455000
57	2	Ignitor, Spark, Pilot	S1-02541219000	S1-02541219000	S1-02541219000
58	2	Switch, Control Rollout	S1-02531812000	S1-02530862000	S1-02531812000
59	*	Switch, Limit, Auto Reset	S1-02535361000	S1-02531814000	S1-02530861000
60	2	Burner, Gas	S1-02921180000	S1-02921180000	S1-02921180000
61	2	Switch, Air Pressure	S1-02435707000	S1-02425975000	S1-02425975000
62	*	Gasket, High Temp	S1-02811648000	S1-02811648000	S1-02811648000
63	*	Screen, Lo-Nox	S1-02535452000	S1-02635452000	S1-02635452000

NOTE: *Not Shown
New replacement parts shown in **bold** face type at the first printing of parts list dated 3/14.
Major components and suggested stocking items are shown with shaded item number.
" <" Across from row indicates a change in that row.
--- Not applicable to specified model.

ITEM	FIG	DESCRIPTION	D7NX036D09006NX YA	D7NX036N06506NX YA	D7NX036N09006NX YA	<
Sheet Metal Components						
66	1	Base Rail, Front	S1-07319413000	S1-07319413000	S1-07319413000	
67	1	Base Rail, Back	S1-07319414000	S1-07319414000	S1-07319414000	
68	1	Base Rail, Side (2 Req' d)	S1-07319415000	S1-07319415000	S1-07319415000	
69	1	Post, Corner Assy	S1-37327359000	S1-37327359000	S1-37327359000	
71	1	Panel, Access, Blower	S1-37314979002	S1-37314979002	S1-37314979002	
72	1	Panel, Access, Heater	S1-07314981002	S1-07314981002	S1-07314981002	
73	1	Panel, Duct	S1-37319412007	S1-37319412007	S1-37319412007	
74	1	Post, Corner Assy, Front	S1-07314976002	S1-07314976002	S1-07314976002	
75	1	Post, Corner Assy, Left Front	S1-07320121000	S1-07320121000	S1-07320121000	
76	1	Duct Cover (2 Req' d)	S1-37314853000	S1-37314853000	S1-37314853000	
77	*	Screen, Flue	S1-02634000000	S1-02634000000	S1-02634000000	
78	1	Coil Guard (Front)	S1-07327318000	S1-07327318000	S1-07327318000	
79	1	Coil Guard (Side)	S1-07327320000	S1-07327320000	S1-07327320000	
80	*	Hood, Flue, Exhaust Outlet	S1-07314988000	S1-07314988000	S1-07314988000	
81						
83	*	Kit, Filter Rack	---	---	---	
84	*	Filter, Air, Alum.	---	---	---	
Drain Pan & Accessories						
87	*	Pan, Drain	S1-03200177001	S1-03200177001	S1-03200177001	
88	*	Plug, Drain Pan	S1-02812480000	S1-02812480000	S1-02812480000	
89	*	Drain Fitting	S1-7430-3011	S1-7430-3011	S1-7430-3011	
90	*	Tubing, Drain	S1-02815480000	S1-02815480000	S1-02815480000	

NOTE: *Not Shown
 New replacement parts shown in **bold** face type at the first printing of parts list dated 6/13.
 Major components and suggested stocking items are shown with shaded item number.
 "<" Across from row indicates a change in that row.
 --- Not applicable to specified model.

ITEM	FIG	DESCRIPTION	D7NX048D09006NXYA	D7NX048D11006NXYA <
Compressors				
1	3	Compressor	S1-01503670004	S1-01503670004
2	3	Cushion Mount	S1-02810505000	S1-02810505000
3	3	Bolt, Compressor	S1-02116047000	S1-02116047000
Condensor Fan Motor & Air Moving Components				
5	1	Motor, Fan	S1-02435582000	S1-02435582000
6	1	Blade, Fan	S1-02639408000	S1-02639408000
7	1	Guard, Fan	S1-02646742000	S1-02646742000
8	*	Wireway(26")	S1-02810070000	S1-02810070000
9	1	Roof, Condenser	S1-37319411003	S1-37319411003
10	*	Kit, Acorn Nut	S1-36390117700	S1-36390117700
Indoor Blower Motor & Air Moving Components				
12	1	Motor, Blower, Programmed	S1-32436074259	S1-32436074257
		Motor, Blower, Unprog (No Module)	S1-02436074000	S1-02436074000
		Module, ECM (Programmed)	S1-32436081259	S1-32436081257
		Module, ECM (Unprogrammed)	S1-02436081000	S1-02436081000
13	1	Wheel, Blower	See Item #16	See Item #16
14	1	Grommet, Motor Mount (3 Req' d)	S1-02814740000	S1-02814740000
15	1	Ferrule, Motor Mount (3 Req' d)	S1-02320541000	S1-02320541000
16	1	Housing, Blower (w/Wheel)	S1-02642533000	S1-02642533000
17	1	Assembly, Motor Mount	S1-07328479000	S1-07328479000
18				
19	1	Plate, Blower	S1-07316301001	S1-07316301001
20	1	Switch,Aux Limit, Manual Reset	S1-02531834000	S1-02531834000
Electric Box				
22	*	Board, Control, CFM	S1-03103002000	S1-03103002000
23	1	Board, Control	S1-03109174000	S1-03109174000
24	1	Capacitor, Dual Run	S1-02425059700	S1-02425059700
25	1	Transformer	S1-02518452700	S1-02518452700
26	1	Contactator	S1-02425840700	S1-02425840700
27	1	Lug, Electrical	S1-02521798000	S1-02521798000
28	1	Assist, Motor Start	---	---
29	*	Harness, Wire, Control	S1-02541213000	S1-02541213000
30	*	Diagram, Wiring	276395	584708
31	1	Transformer	---	---
32	1	Breaker, Circuit	---	---
33	1	Block, Terminal	---	---
Evaporator Coil, Condensor Coil, and Piping Components				
36	3	Coil, Evaporator	S1-37327332000	S1-37327332000
37	3	Valve, Distributor (Evap)	S1-02211460000	S1-02211460000
38	3	Coil, Condenser	S1-37327331000	S1-37327331000
39	3	Switch, High Pressure	S1-02538728000	S1-02538728000
40	3	Switch, Low Pressure	S1-02538729000	S1-02538729000
41	3	Filter Drier	S1-52634088000	S1-52634088000
42	3	Connector Tee, Pres Sw. (2 Req' d)	S1-02322437000	S1-02322437000
43	*	Valve, Schraeder (4 Req' d)	S1-02202475700	S1-02202475700
44	*	Cap, Seal (2 Req' d)	S1-02310745000	S1-02310745000
45				
46	*	TXV (Evap)	S1-02541062000	S1-02541062000
Heating Section, Vent, Blower, and Gas Control Components				
48	2	Heat Exchanger Assy	S1-37316471704	S1-37316471705
49	2	Plate, Restrictor	S1-07327983004	S1-07327983003
50	2	Baffle, Restrictor	S1-07314993002	---
51	2	Flue, Exhaust	S1-07319344000	S1-07319344000
52	2	Blower, Vent	S1-02646427000	S1-02646427000
53	2	Gasket, Vent Blower	S1-02812467000	S1-02812467000
54	2	Valve, Gas	S1-02541218000	S1-02541218000
55	2	Manifold, Gas	S1-02921198000	S1-02921198000
56	2	Orifice, Gas (#40)	S1-02925455000	S1-02925455000
57	2	Ignitor, Spark, Pilot	S1-02541219000	S1-02541219000
58	2	Switch, Control Rollout	S1-02531812000	S1-02531812000
59	*	Switch, Limit, Auto Reset	S1-02537494000	S1-02531813000
60	2	Burner, Gas	S1-02921180000	S1-02921180000
61	2	Switch, Air Pressure	S1-02435707000	S1-02435707000
62	*	Gasket, High Temp	S1-02811648000	S1-02811648000
63	*	Screen, Lo-Nox	S1-02635452000	S1-02635452000

NOTE: *Not ShownNew replacement parts shown in **bold** face type at the first printing of parts list dated 3/14.

Major components and suggested stocking items are shown with shaded item number.

" <" Across from row indicates a change in that row.

--- Not applicable to specified model.

ITEM	FIG	DESCRIPTION	D7NX048D09006NXYA	D7NX048D11006NXYA <
Sheet Metal Components				
66	1	Base Rail, Front	S1-07319413000	S1-07319413000
67	1	Base Rail, Back	S1-07319414000	S1-07319414000
68	1	Base Rail, Side (2 Req' d)	S1-07319415000	S1-07319415000
69	1	Post, Corner Assy	S1-37327359000	S1-37327359000
71	1	Panel, Access, Blower	S1-37314979002	S1-37314979002
72	1	Panel, Access, Heater	S1-07314981002	S1-07314981002
73	1	Panel, Duct	S1-37319412007	S1-37319412007
74	1	Post, Corner Assy, Front	S1-07314976002	S1-07314976002
75	1	Post, Corner Assy, Left Front	S1-07320121000	S1-07320121000
76	1	Duct Cover (2 Req' d)	S1-37314853000	S1-37314853000
77	*	Screen, Flue	S1-02634000000	S1-02634000000
78	1	Coil Guard (Front)	S1-07327318000	S1-07327318000
79	1	Coil Guard (Side)	S1-07327320000	S1-07327320000
80	*	Hood, Flue, Exhaust Outlet	S1-07314988000	S1-07314988000
81				
83	*	Kit, Filter Rack	---	---
84	*	Filter, Air, Alum.	---	---
Drain Pan & Accessories				
87	*	Pan, Drain	S1-03200177001	S1-03200177001
88	*	Plug, Drain Pan	S1-02812480000	S1-02812480000
89	*	Drain Fitting	S1-7430-3011	S1-7430-3011
90	*	Tubing, Drain	S1-02815480000	S1-02815480000

NOTE: *Not Shown
 New replacement parts shown in **bold** face type at the first printing of parts list dated 3/14.
 Major components and suggested stocking items are shown with shaded item number.
 “ < ” Across from row indicates a change in that row.
 --- Not applicable to specified model.



ITEM	FIG	DESCRIPTION	D7NX048N06506NXYA	D7NX048N09006NXYA <
Compressors				
1	3	Compressor	S1-01503670004	S1-01503670004
2	3	Cushion Mount	S1-02810505000	S1-02810505000
3	3	Bolt, Compressor	S1-02116047000	S1-02116047000
Condensor Fan Motor & Air Moving Components				
5	1	Motor, Fan	S1-02435582000	S1-02435582000
6	1	Blade, Fan	S1-02639408000	S1-02639408000
7	1	Guard, Fan	S1-02646742000	S1-02646742000
8	*	Wireway(26")	S1-02810070000	S1-02810070000
9	1	Roof, Condenser	S1-37319411003	S1-37319411003
10	*	Kit, Acorn Nut	S1-36390117700	S1-36390117700
Indoor Blower Motor & Air Moving Components				
12	1	Motor, Blower, Programmed	S1-32436074258	S1-32436074259
		Motor, Blower, Unprog (No Module)	S1-02436074000	S1-02436074000
		Module, ECM (Programmed)	S1-32436081258	S1-32436081259
		Module, ECM (Unprogrammed)	S1-02436081000	S1-02436081000
13	1	Wheel, Blower	See Item #16	See Item #16
14	1	Grommet, Motor Mount (3 Req' d)	S1-02814740000	S1-02814740000
15	1	Ferrule, Motor Mount (3 Req' d)	S1-02320541000	S1-02320541000
16	1	Housing, Blower (w/Wheel)	S1-02642533000	S1-02642533000
17	1	Assembly, Motor Mount	S1-07328479000	S1-07328479000
18				
19	1	Plate, Blower	S1-07316301001	S1-07316301001
20	1	Switch,Aux Limit, Manual Reset	S1-02531834000	S1-02531834000
Electric Box				
22	*	Board, Control, CFM	S1-03103002000	S1-03103002000
23	1	Board, Control	S1-03109175000	S1-03109175000
24	1	Capacitor, Dual Run	S1-02425059700	S1-02425059700
25	1	Transformer	S1-02518452700	S1-02518452700
26	1	Contactora	S1-02425840700	S1-02425840700
27	1	Lug, Electrical	S1-02521798000	S1-02521798000
28	1	Assist, Motor Start	---	---
29	*	Harness, Wire, Control	S1-02541216000	S1-02541216000
30	*	Diagram, Wiring	276395	276395
31	1	Transformer	---	---
32	1	Breaker, Circuit	---	---
33	1	Block, Terminal	---	---
Evaporator Coil, Condensor Coil, and Piping Components				
36	3	Coil, Evaporator	S1-37327332000	S1-37327332000
37	3	Valve, Distributor (Evap)	S1-02211460000	S1-02211460000
38	3	Coil, Condenser	S1-37327331000	S1-37327331000
39	3	Switch, High Pressure	S1-02538728000	S1-02538728000
40	3	Switch, Low Pressure	S1-02538729000	S1-02538729000
41	3	Filter Drier	S1-52634088000	S1-52634088000
42	3	Connector Tee, Pres Sw. (2 Req' d)	S1-02322437000	S1-02322437000
43	*	Valve, Schraeder (4 Req' d)	S1-02202475700	S1-02202475700
44	*	Cap, Seal (2 Req' d)	S1-02310745000	S1-02310745000
45				
46	*	TXV (Evap)	S1-02541062000	S1-02541062000
Heating Section, Vent, Blower, and Gas Control Components				
48	2	Heat Exchanger Assy	S1-37316471703	S1-37316471704
49	2	Plate, Restrictor	S1-07319348003	S1-07319348004
50	2	Baffle, Restrictor	S1-07314993002	S1-07314993002
51	2	Flue, Exhaust	S1-07319344000	S1-07319344000
52	2	Blower, Vent	S1-02633999001	S1-02633999001
53	2	Gasket, Vent Blower	S1-02812467000	S1-02812467000
54	2	Valve, Gas	S1-VR8204M1026	S1-VR8204M1026
55	2	Manifold, Gas	S1-02921198000	S1-02921180000
56	2	Orifice, Gas (#40)	S1-02925455000	S1-02925455000
57	2	Ignitor, Spark, Pilot	S1-02541219000	S1-02541219000
58	2	Switch, Control Rollout	S1-02530862000	S1-02531812000
59	*	Switch, Limit, Auto Reset	S1-02531814000	S1-02537494000
60	2	Burner, Gas	S1-02921180000	S1-02921180000
61	2	Switch, Air Pressure	S1-02425975000	S1-02425975000
62	*	Gasket, High Temp	S1-02811648000	S1-02811648000
63	*	Screen, Lo-Nox	S1-02635452000	S1-02635452000

NOTE: *Not ShownNew replacement parts shown in **bold** face type at the first printing of parts list dated 3/14.

Major components and suggested stocking items are shown with shaded item number.

" <" Across from row indicates a change in that row.

--- Not applicable to specified model.

ITEM	FIG	DESCRIPTION	D7NX048N06506NX YA	D7NX048N09006NX YA <
Sheet Metal Components				
66	1	Base Rail, Front	S1-07319413000	S1-07319413000
67	1	Base Rail, Back	S1-07319414000	S1-07319414000
68	1	Base Rail, Side (2 Req' d)	S1-07319415000	S1-07319415000
69	1	Post, Corner Assy	S1-37327359000	S1-37327359000
71	1	Panel, Access, Blower	S1-37314979002	S1-37314979002
72	1	Panel, Access, Heater	S1-07314981002	S1-07314981002
73	1	Panel, Duct	S1-37319412007	S1-37319412007
74	1	Post, Corner Assy, Front	S1-07314976002	S1-07314976002
75	1	Post, Corner Assy, Left Front	S1-07320121000	S1-07320121000
76	1	Duct Cover (2 Req' d)	S1-37314853000	S1-37314853000
77	*	Screen, Flue	S1-02634000000	S1-02634000000
78	1	Coil Guard (Front)	S1-07327318000	S1-07327318000
79	1	Coil Guard (Side)	S1-07327320000	S1-07327320000
80	*	Hood, Flue, Exhaust Outlet	S1-07314988000	S1-07314988000
81				
83	*	Kit, Filter Rack	---	---
84	*	Filter, Air, Alum.	---	---
Drain Pan & Accessories				
87	*	Pan, Drain	S1-03200177001	S1-03200177001
88	*	Plug, Drain Pan	S1-02812480000	S1-02812480000
89	*	Drain Fitting	S1-7430-3011	S1-7430-3011
90	*	Tubing, Drain	S1-02815480000	S1-02815480000

NOTE: *Not Shown
 New replacement parts shown in **bold** face type at the first printing of parts list dated 3/14.
 Major components and suggested stocking items are shown with shaded item number.
 " <" Across from row indicates a change in that row.
 --- Not applicable to specified model.



TO ORDER AUTHORIZED FACTORY REPLACEMENT PARTS - Contact your Source1 HVAC Parts Distributor or visit our website at www.Source1Parts.com for a Distributor and Dealer listing.