



www.Source1Parts.com

# GY9S SERIES CONDENSING DOWNFLOW/HORIZONTAL NATURAL GAS FURNACES (STYLE K, SOME J)

HVAC SERVICE PARTS

Supersedes: Nothing

035-21302-001 Rev. A (1206)

1 of 8

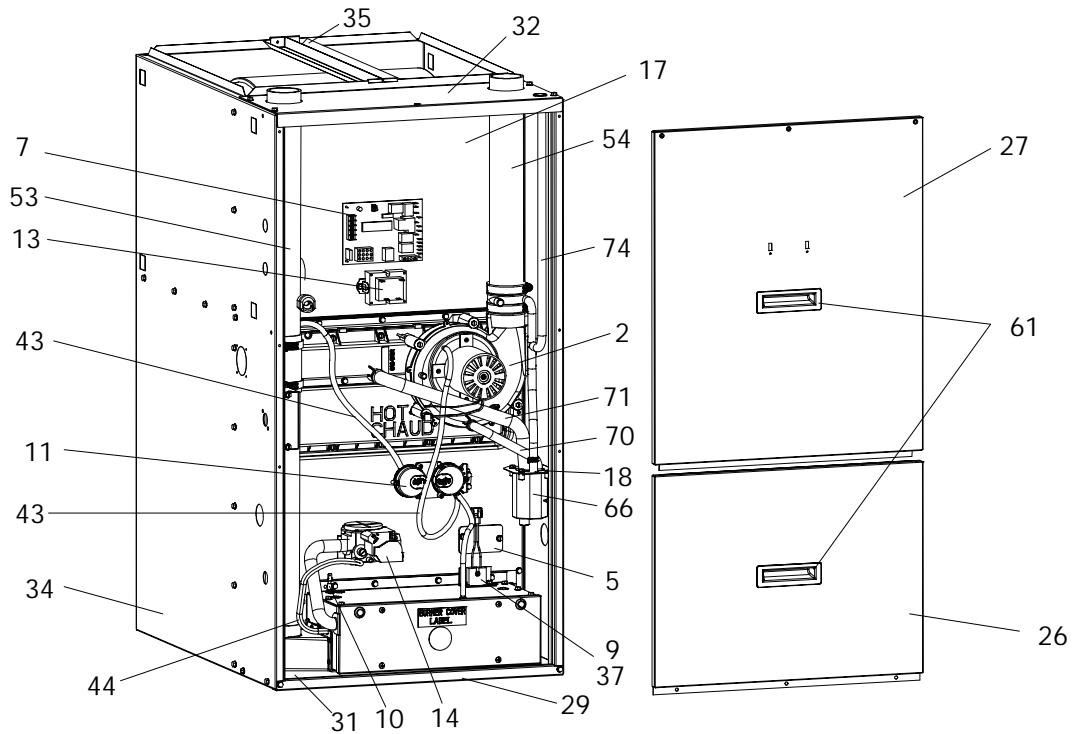


Figure 1: CONDENSING DOWNFLOW/HORIZONTAL NATURAL GAS FURNACES

FIG	ITEM	DESCRIPTION	GY9S040A12DH11J	GY9S060B12DH11K	GY9S080B12DH11K
			(2 BURNER)	(3 BURNER)	(4 BURNER)
<b>MOTOR</b>					
2	1	MOTOR, DIRECT DRIVE BLOWER	S1-02435647000	S1-02435647000	S1-02435647000
1,2	2	MOTOR, INDUCER ASS'Y	S1-02434558000	S1-02434558000	S1-02434558000
<b>ELECTRICAL</b>					
*	3	CAPACITOR, RUN (10MFD/370V)	S1-02420046000	S1-02420046000	S1-02420046000
2	4	SWITCH, LIMIT (INDUCER)	S1-02538737000	S1-02538737000	S1-02538737000
1,2	5	LIMIT, TEMPERATURE (Primary)	S1-02529041002	S1-02529041004	S1-02529041011
2,3	6	LIMIT, FLAME ROLL-OUT	S1-02527792001	S1-02527792001	S1-02527792001
1	7	CONTROL, FURNACE MODULE	<b>S1-03109166000</b>	<b>S1-03109166000</b>	<b>S1-03109166000</b>
*	8	FUSE	S1-02532746026	S1-02532746026	S1-02532746026
1,3	9	IGNITER	S1-02532625000	S1-02532625000	S1-02532625000
1,3	10	SENSOR, FLAME	S1-02537499000	S1-02537499000	S1-02537499000
1	11	SWITCH, PRESSURE	S1-02434769000	S1-02434612000	S1-02434562000
*	12	SWITCH, DOOR	S1-02427640000	S1-02427640000	S1-02427640000
1	13	TRANSFORMER	S1-02530889000	S1-02530889000	S1-02530889000
1,2,3	14	VALVE, GAS	S1-02537426000	S1-02537426000	S1-02537426000
<b>AIR MOVING</b>					
2	15	HOUSING, BLOWER	S1-37323724001	S1-37323724001	S1-37323724001
2	16	WHEEL, BLOWER	S1-02619654009	S1-02619654009	S1-02619654009
*	16A	BRACKET, BLOWER (2 Req'd)	S1-07323778001	S1-07323778001	S1-07323778001

NOTE: \*Not Shown

New replacement parts shown in **bold** face type at the first printing of parts list dated 12/06.

Major components and suggested stocking items are shown with shaded item number.

"<" Across from row indicates a change in that row.

--- Not applicable to specified model.

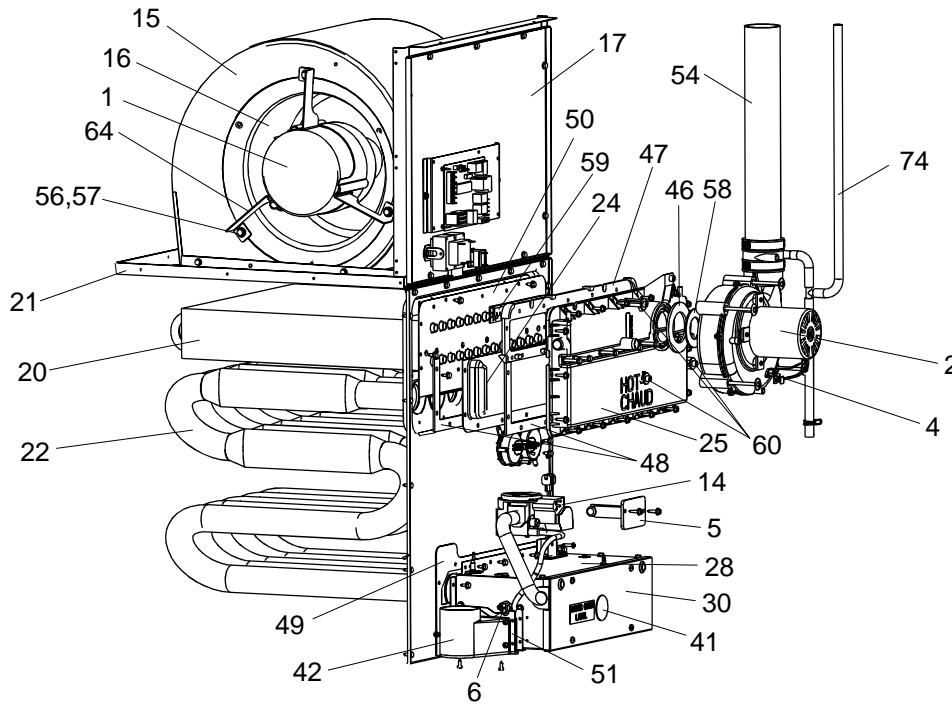


Figure 2: CONDENSING DOWNFLOW/HORIZONTAL NATURAL GAS FURNACES

FIG	ITEM	DESCRIPTION	GY9S040A12DH11J	GY9S060B12DH11K	GY9S080B12DH11K	<
			(2 BURNER)	(3 BURNER)	(4 BURNER)	
<b>FABRICATED PARTS</b>						
1,2	17	PANEL, BLOWER COVER	S1-07323742001	S1-07323777001	S1-07323777001	
1	18	BRACKET, CONDENSATE TRAP	S1-07319811009	S1-07319811009	S1-07319811009	
3	19	BURNER, MAIN GAS	S1-02920482000	S1-02920482000	S1-02920482000	
2	20	COIL, CONDENSING	S1-37319813801	S1-37319812801	S1-37319812801	
2	21	SHELF, BLOWER	S1-07323725001	S1-07319812222	S1-07319812222	
2	22	HEAT EXCHANGER ASS'Y	S1-37323720001	S1-37319812611	S1-37319812612	
3	23	MANIFOLD, GAS	S1-02922253020	S1-02922253030	S1-02922253040	
2	24	SHIELD, PAN	S1-07323738001	S1-07319812570	S1-07319812570	
2	25	PAN, CONDENSATE	S1-02815219000	S1-02815151000	S1-02815151000	
1	26	PANEL, VEST ACCESS (Lower)	S1-07323739001	S1-07319863032	S1-07319863032	
1	27	PANEL, BLOWER ACCESS (Upper)	S1-07319814121	S1-07319812121	S1-07319812121	
2,3	28	WRAPPER, BURNER BOX	S1-07323741001	S1-07319811730	S1-07319811740	
1	29	CHANNEL, TOE PLATE	S1-07319863041	S1-07319863042	S1-07319863042	
2,3	30	COVER, GAS CONTROL	S1-37322155001	S1-37322155002	S1-37322155003	
1	31	PANEL, BOTTOM	S1-07323723001	S1-07319812170	S1-07319812170	
1	32	PANEL, TOP	S1-07319863051	S1-07319863052	S1-07319863052	
3	33	SUPPORT, BURNER	S1-07319811320	S1-07319811330	S1-07319811340	
1	34	WRAPPER, CABINET	S1-37323731001	S1-07319863012	S1-07319863012	
	35					
3	36	PLATE, DIFFUSER	S1-07323740001	S1-07319811023	S1-07319811024	
1,3	37	BRACKET, IGNITER	S1-07317403000	S1-07317403000	S1-07317403000	
	38					
*	39	BRACKET, DOOR	S1-07319726001	S1-07319726001	S1-07319726001	
3	40	BOTTOM PANEL, BURNER BOX	S1-07319811120	S1-07319811130	S1-07319811140	

NOTE: \*Not Shown  
 New replacement parts shown in **bold** face type at the first printing of parts list dated 12/06.  
 Major components and suggested stocking items are shown with shaded item number.  
 "<" Across from row indicates a change in that row.  
 --- Not applicable to specified model.

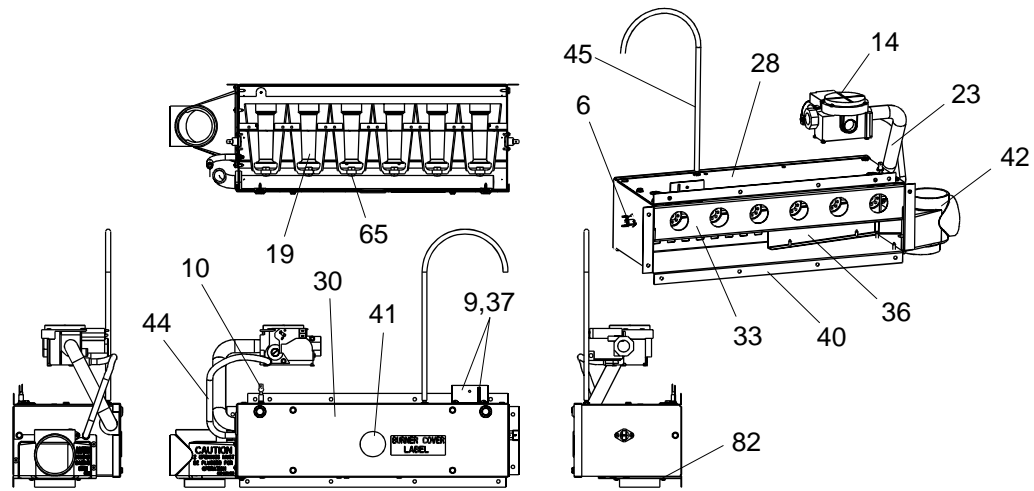


Figure 3: GAS CONTROLS

FIG	ITEM	DESCRIPTION	GY9S040A12DH11J	GY9S060B12DH11K	GY9S080B12DH11K
			(2 BURNER)	(3 BURNER)	(4 BURNER)
<b>MISCELLANEOUS</b>					
2,3	41	PLUG, WINDOW, CLEAR - 1.5"	S1-02537005000	S1-02537005000	S1-02537005000
2,3	42	COMBUSTION AIR TRANSITION	S1-02815154000	S1-02815154000	S1-02815154000
2,3	43	TUBING, SILICONE (Gray, .188 ID, 2.83 ft. req'd)	S1-02812499000	S1-02812499000	S1-02812499000
1	44	TUBING, SILICONE (Preformed)	S1-02815170000	S1-02815170000	S1-02815170000
3	45	TUBING, SILICONE (Gray, .188 ID, 1.25 ft. req'd)	S1-02812499000	S1-02812499000	S1-02812499000
2	46	GASKET, COMBUSTION BLOWER	S1-02815177000	S1-02815177000	S1-02815177000
2	47	GASKET, CONDENSATE PAN	S1-02814759001	S1-02814759002	S1-02814759002
2	48	GASKET, UPPER CONDENSATE PAN (2 Req'd)	S1-02815180000	S1-02814773000	S1-02814773000
2	49	GASKET, GAS CONTROLS	S1-02815221000	S1-02815222000	S1-02815223000
2	50	GASKET, CONDENSING COIL	S1-02814760001	S1-02814760002	S1-02814760002
2	51	GASKET, COMBUSTION AIR TRANSITION	028-15155-000	S1-02815155000	S1-02815155000
	52				
1	53	COMBUSTION AIR INTAKE ASSY	S1-02815167000	S1-02815167000	S1-02815167000
1,2	54	VENT PIPE 2" X 15.25" LG.	S1-02815166000	S1-02815166000	S1-02815166000
2	55	RUBBER SLEEVE 2.5" X 4" LG.	S1-02815162000	S1-02815162000	S1-02815162000
2	56	GROMMET, MOTOR (3 Req'd)	S1-02814740000	S1-02814740000	S1-02814740000
*	57	FERRULE (3 Req'd)	S1-02320541000	S1-02320541000	S1-02320541000
2	58	COMBUSTION BLWR RESTRICTOR	S1-02815220000	S1-02815172000	S1-02815218000
2	59	RESTRICTOR, TUBE	---	S1-02815206000	S1-02815206000
2	60	WASHER, FLAT FIBERGLASS (3 Req'd)	S1-02814768000	S1-02814768000	S1-02814768000
1	61	HANDLE, ACCESS (2 Req'd)	S1-02814886000	S1-02814886000	S1-02814886000
*	62	CLAMP, HOSE (2 Req'd)	S1-02118390000	S1-02118390000	S1-02118390000
*	63	HARNES, MAIN WIRING	S1-37319811540	S1-37319811540	S1-37319811540
2	64	MOUNT, 1 PC. MOTOR	S1-07319831001	S1-07319831001	S1-07319831001
3	65	ORIFICE, BURNER (Natural #45)	S1-02921182045	S1-02921182045	S1-02921182045
1	66	TRAP, CONDENSATE	S1-02814762000	S1-02814762000	S1-02814762000
*	67	WIRING DIAGRAM	104593	104593	104593
*	68	45 DEG. STREET ELBOW 2"	S1-02815161000	S1-02815161000	S1-02815161000
*	69	DRAIN TUBE, CONDENSATE TRAP	S1-02813309004	S1-02813309004	S1-02813309004
1	70	DRAIN TUBE, COMBUSTION BLOWER	S1-02815168000	S1-02815168000	S1-02815168000
1	71	DRAIN TUBE, CONDENSATE PAN	S1-02815156000	S1-02815156000	S1-02815156000
*	72	DRAIN TUBE, STRAIGHT 21" LG.	S1-02815169001	S1-02815169001	S1-02815169001
1,2	73	DRAIN TUBE, RAIN GUTTER	S1-02815196000	S1-02815196000	S1-02815196000
*	74	DRAIN HOSE ASSEMBLY	S1-02815176000	S1-02815176000	S1-02815176000
*	75	LOCKNUT, CONDUIT (1/2")	S1-02532683000	S1-02532683000	S1-02532683000
*	76	ADAPTER, INSERT	S1-02531808000	S1-02531808000	S1-02531808000
*	77	BUSHING, THREADED	S1-02531807000	S1-02531807000	S1-02531807000
*	78	DRAIN TUBE, VENT PIPE	S1-02815158000	S1-02815158000	S1-02815158000
*	79	BAFFLE, BURNER BOX	---	---	---
3	80	GROMMET, MANIFOLD	S1-02812465000	S1-02812465000	S1-02812465000
*	81	VENT PIPE ASSEMBLY	S1-02815159000	S1-02815159000	S1-02815159000
*	82	DRAIN TUBE, CONDENSATE	S1-02815197000	S1-02815197000	S1-02815197000
*	83	LOGO/BEZEL PLATE ASSEMBLY	S1-37323701003	S1-37323701003	S1-37323701003

NOTE: \*Not Shown  
 New replacement parts shown in **bold** face type at the first printing of parts list dated 12/06.  
 Major components and suggested stocking items are shown with shaded item number.  
 "<" Across from row indicates a change in that row.  
 --- Not applicable to specified model.

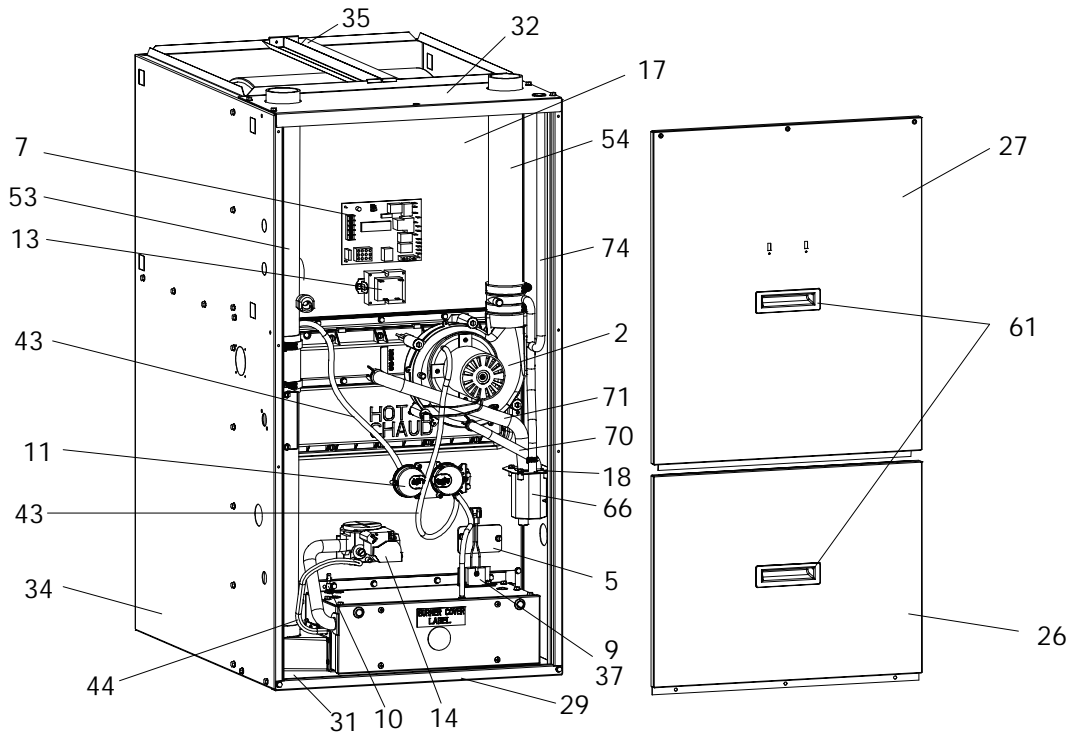


Figure 1: CONDENSING DOWNFLOW/HORIZONTAL NATURAL GAS FURNACES

FIG	ITEM	DESCRIPTION	GY9S080C16DH11K	GY9S100C16DH11K	GY9S100C20DH11K	<
			(4 BURNER)	(5 BURNER)	(5 BURNER)	
<b>MOTOR</b>						
2	1	MOTOR, DIRECT DRIVE BLOWER	S1-02432055000	S1-02432055000	S1-02432056000	
1,2	2	MOTOR, INDUCER ASS'Y	S1-02434558000	S1-02434558000	S1-02434558000	
<b>ELECTRICAL</b>						
*	3	CAPACITOR, RUN (10MFD/370V)	S1-02420046000	S1-02420046000	---	
		CAPACITOR, RUN (15MFD/370V)	---	---	S1-02425900000	
2	4	SWITCH, LIMIT (INDUCER)	S1-02538737000	S1-02538737000	S1-02538737000	
1,2	5	LIMIT, TEMPERATURE (Primary)	S1-02529041004	S1-02529041011	S1-02529041011	
2,3	6	LIMIT, FLAME ROLL-OUT	S1-02527792001	S1-02527792001	S1-02527792001	
1	7	CONTROL, FURNACE MODULE	<b>S1-03109166000</b>	<b>S1-03109166000</b>	<b>S1-03109166000</b>	
*	8	FUSE	S1-02532746026	S1-02532746026	S1-02532746026	
1,3	9	IGNITER	S1-02532625000	S1-02532625000	S1-02532625000	
1,3	10	SENSOR, FLAME	S1-02537499000	S1-02537499000	S1-02537499000	
1	11	SWITCH, PRESSURE	S1-02434561000	S1-02434562000	S1-02434562000	
*	12	SWITCH, DOOR	S1-02427640000	S1-02427640000	S1-02427640000	
1	13	TRANSFORMER	S1-02530889000	S1-02530889000	S1-02530889000	
1,2,3	14	VALVE, GAS	S1-02537426000	S1-02537426000	S1-02537426000	
<b>AIR MOVING</b>						
2	15	HOUSING, BLOWER	S1-37323746001	S1-37323746001	S1-37323747001	
2	16	WHEEL, BLOWER	S1-02619654014	S1-02619654014	S1-02638510000	
*	16A	BRACKET, BLOWER (2 Req'd)	S1-07323778001	S1-07323778001	S1-07323778001	

NOTE: \*Not Shown  
 New replacement parts shown in **bold** face type at the first printing of parts list dated 12/06.  
 Major components and suggested stocking items are shown with shaded item number.  
 "<" Across from row indicates a change in that row.  
 --- Not applicable to specified model.

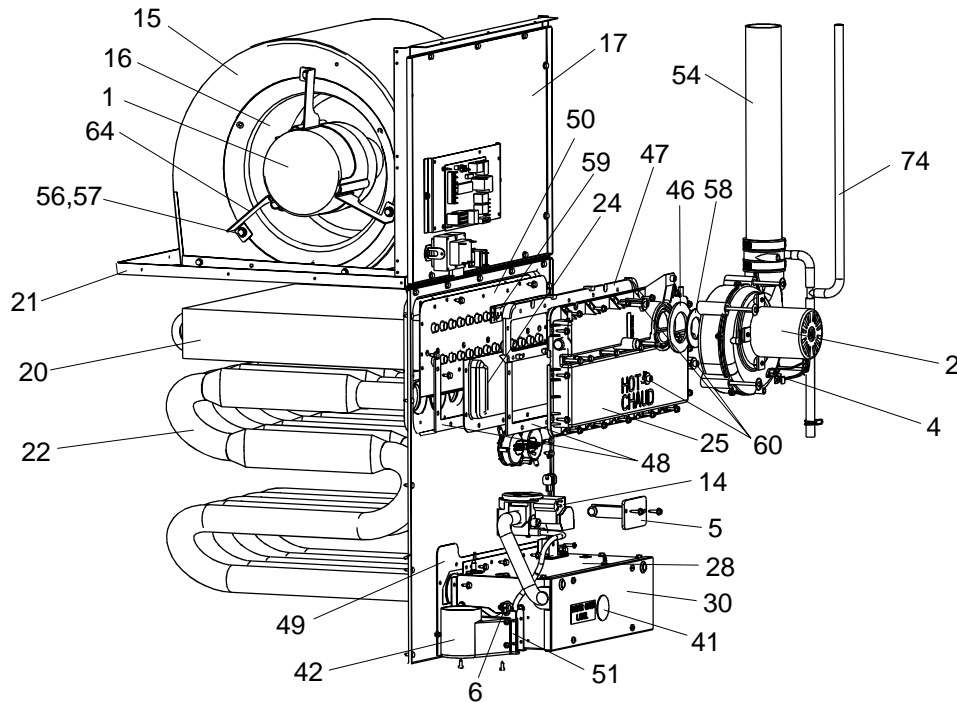


Figure 2: CONDENSING DOWFLOW/HORIZONTAL NATURAL GAS FURNACES

FIG	ITEM	DESCRIPTION	GY9S080C16DH11K	GY9S100C16DH11K	GY9S100C20DH11K
			(4 BURNER)	(5 BURNER)	(5 BURNER)
<b>FABRICATED PARTS</b>					
1,2	17	PANEL, BLOWER COVER	S1-07323777002	S1-07323777002	S1-07323777002
1	18	BRACKET, CONDENSATE TRAP	S1-07319811009	S1-07319811009	S1-07319811009
3	19	BURNER, MAIN GAS	S1-02920482000	S1-02920482000	S1-02920482000
2	20	COIL, CONDENSING	S1-37319816801	S1-37319816801	S1-37319816801
2	21	SHELF, BLOWER	S1-07319816222	S1-07319816222	S1-07319816242
2	22	HEAT EXCHANGER ASS'Y	S1-37319816611	S1-37319816612	S1-37319816612
3	23	MANIFOLD, GAS	S1-02922253040	S1-02922253050	S1-02922253050
2	24	SHIELD, PAN	S1-07319816570	S1-07319816570	S1-07319816570
2	25	PAN, CONDENSATE	S1-02815152000	S1-02815152000	S1-02815152000
1	26	PANEL, VEST ACCESS (Lower)	S1-07319863033	S1-07319863033	S1-07319863033
1	27	PANEL, BLOWER ACCESS(Upper)	S1-07319816121	S1-07319816121	S1-07319816121
2,3	28	WRAPPER, BURNER BOX	S1-07319811740	S1-07319811750	S1-07319811750
1	29	CHANNEL, TOE PLATE	S1-07319863043	S1-07319863043	S1-07319863043
2,3	30	COVER, GAS CONTROL	S1-37322155003	S1-37322155004	S1-37322155004
1	31	PANEL, BOTTOM	S1-07319816170	S1-07319816170	S1-07319816170
1	32	PANEL, TOP	S1-07319863053	S1-07319863053	S1-07319863053
3	33	SUPPORT, BURNER	S1-07319811340	S1-07319811350	S1-07319811350
1	34	WRAPPER, CABINET	S1-07319863013	S1-07319863013	S1-07319863013
	35				
3	36	PLATE, DIFFUSER	S1-07319811024	S1-07319811025	S1-07319811025
1,3	37	BRACKET, IGNITER	S1-07317403000	S1-07317403000	S1-07317403000
	38				
*	39	BRACKET, DOOR	S1-07319863063	S1-07319863063	S1-07319863063
3	40	BOTTOM PANEL, BURNER BOX	S1-07319811140	S1-07319811150	S1-07319811150

NOTE: \*Not Shown  
 New replacement parts shown in **bold** face type at the first printing of parts list dated 12/06.  
 Major components and suggested stocking items are shown with shaded item number.  
 "<" Across from row indicates a change in that row.  
 --- Not applicable to specified model.

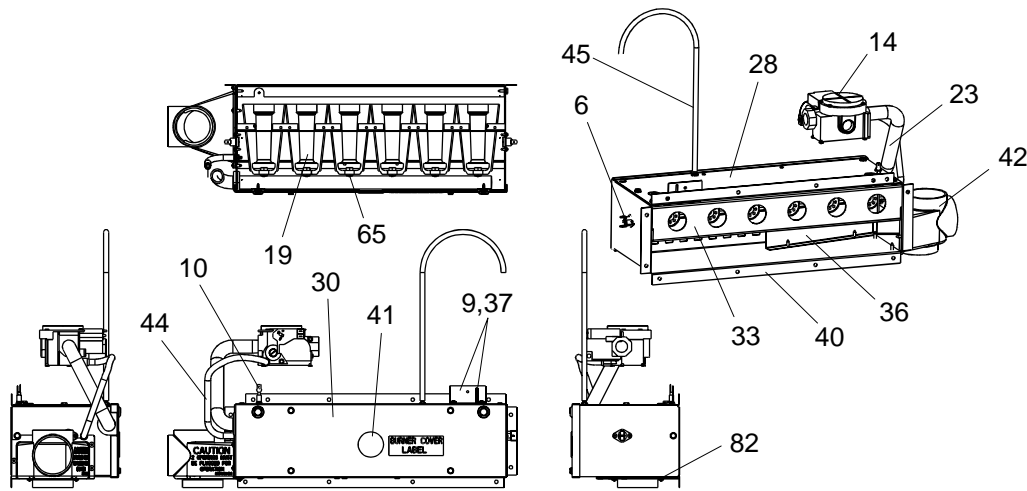


Figure 3: Gas Controls

FIG	ITEM	DESCRIPTION	GY9S080C16DH11K	GY9S100C16DH11K	GY9S100C20DH11K
			(4 BURNER)	(5 BURNER)	(5 BURNER)
<b>MISCELLANEOUS</b>					
2,3	41	PLUG, WINDOW, CLEAR - 1.5"	S1-02537005000	S1-02537005000	S1-02537005000
2,3	42	COMBUSTION AIR TRANSITION	S1-02815154000	S1-02815154000	S1-02815154000
2,3	43	TUBING, SILICONE (Gray, .188 ID, 2.83 ft. req'd)	S1-02812499000	S1-02812499000	S1-02812499000
1	44	TUBING, SILICONE (Preformed)	S1-02815170000	S1-02815170000	S1-02815170000
3	45	TUBING, SILICONE (Gray, .188 ID, 1.25 ft. req'd)	S1-02812499000	S1-02812499000	S1-02812499000
2	46	GASKET, COMBUSTION BLOWER	S1-02815177000	S1-02815177000	S1-02815177000
2	47	GASKET, CONDENSATE PAN	S1-02814759003	S1-02814759003	S1-02814759003
2	48	GASKET, UPPER CONDENSATE PAN (2 Req'd)	S1-02814774000	S1-02814774000	S1-02814774000
2	49	GASKET, GAS CONTROLS	S1-02815223000	S1-02815224000	S1-02814772102
2	50	GASKET, CONDENSING COIL	S1-02814760003	S1-02814760003	S1-02814760003
2	51	GASKET, COMBUSTION AIR TRANSITION	S1-02815155000	S1-02815155000	S1-02815155000
	52				
1	53	COMBUSTION AIR INTAKE ASSY	S1-02815167000	S1-02815167000	S1-02815167000
1,2	54	VENT PIPE 2" X 15.25" LG.	S1-02815166000	S1-02815166000	S1-02815166000
*	55	RUBBER SLEEVE 2.5" X 4" LG.	S1-02815162000	S1-02815162000	S1-02815162000
2	56	GROMMET, MOTOR (3 Req'd)	S1-02814740000	S1-02814740000	S1-02814740000
2	57	FERRULE (3 Req'd)	S1-02320541000	S1-02320541000	S1-02320541000
2	58	COMBUSTION BLWR RESTRICTOR	S1-02815174000	---	---
2	59	RESTRICTOR, TUBE	S1-02815206000	S1-02815206000	S1-02815206000
2	60	WASHER, FLAT FIBERGLASS (3 Req'd)	S1-02814768000	S1-02814768000	S1-02814768000
1	61	HANDLE, ACCESS (2 Req'd)	S1-02814886000	S1-02814886000	S1-02814886000
*	62	CLAMP, HOSE (2 Req'd)	S1-02118390000	S1-02118390000	S1-02118390000
*	63	HARNESS, MAIN WIRING	S1-37319811540	S1-37319811540	S1-37319811540
2	64	MOUNT, 1 PC. MOTOR	S1-07319831001	S1-07319831001	S1-07319831001
3	65	ORIFICE, BURNER (Natural #45)	S1-02921182045	S1-02921182045	S1-02921182045
1	66	TRAP, CONDENSATE	S1-02814762000	S1-02814762000	S1-02814762000
*	67	WIRING DIAGRAM	104593	104593	104593
*	68	45 DEG. STREET ELBOW 2"	S1-02815161000	S1-02815161000	S1-02815161000
*	69	DRAIN TUBE, CONDENSATE TRAP	S1-02813309004	S1-02813309004	S1-02813309004
1	70	DRAIN TUBE, COMBUSTION BLOWER	S1-02815168000	S1-02815168000	S1-02815168000
1	71	DRAIN TUBE, CONDENSATE PAN	S1-02815156000	S1-02815156000	S1-02815156000
*	72	DRAIN TUBE, STRAIGHT 21" LG.	S1-02815169001	S1-02815169001	S1-02815169001
1,2	73	DRAIN TUBE, RAIN GUTTER	S1-02815196000	S1-02815196000	S1-02815196000
1	74	DRAIN HOSE ASSEMBLY	S1-02815176000	S1-02815176000	S1-02815176000
*	75	LOCKNUT, CONDUIT (1/2")	S1-02532683000	S1-02532683000	S1-02532683000
*	76	ADAPTER, INSERT	S1-02531808000	S1-02531808000	S1-02531808000
*	77	BUSHING, THREADED	S1-02531807000	S1-02531807000	S1-02531807000
*	78	DRAIN TUBE, VENT PIPE	S1-02815158000	S1-02815158000	S1-02815158000
3	79	BAFFLE, BURNER BOX	---	---	---
3	80	GROMMET, MANIFOLD	S1-02812465000	S1-02812465000	S1-02812465000
*	81	VENT PIPE ASSEMBLY	S1-02815159000	S1-02815159000	S1-02815159000
*	82	DRAIN TUBE, CONDENSATE	S1-02815197000	S1-02815197000	S1-02815197000
*	83	LOGO/BEZEL PLATE ASSEMBLY	S1-37323701003	S1-37323701003	S1-37323701003

NOTE: \*Not Shown  
 New replacement parts shown in **bold** face type at the first printing of parts list dated 12/06.  
 Major components and suggested stocking items are shown with shaded item number.  
 "<" Across from row indicates a change in that row.  
 --- Not applicable to specified model.

FIG	ITEM	DESCRIPTION	GY9S120D20DH
			11K (6 BURNER)
<b>MOTOR</b>			
2	1	MOTOR, DIRECT DRIVE BLOWER	S1-02432056000
1,2	2	MOTOR, INDUCER ASS'Y	S1-02434558000
<b>ELECTRICAL</b>			
*	3	CAPACITOR, RUN (15MFD/370V)	S1-02425900000
2	4	SWITCH, LIMIT (INDUCER)	S1-02538737000
1,2	5	LIMIT, TEMPERATURE (Primary)	S1-02529041012
2,3	6	LIMIT, FLAME ROLL-OUT	S1-02527792001
1	7	CONTROL, FURNACE MODULE	<b>S1-03109166000</b>
*	8	FUSE	S1-02532746026
1,3	9	IGNITER	S1-02532625000
1,3	10	SENSOR, FLAME	S1-02537499000
1	11	SWITCH, PRESSURE	S1-02434612000
*	12	SWITCH, DOOR	S1-02427640000
1	13	TRANSFORMER	S1-02530889000
1,2,3	14	VALVE, GAS	S1-02537426000
<b>AIR MOVING</b>			
2	15	HOUSING, BLOWER	S1-37323747001
2	16	WHEEL, BLOWER	S1-02638510000
*	16A	BRACKET, BLOWER (2 Req'd)	S1-07323778001
<b>FABRICATED PARTS</b>			
1,2	17	PANEL, BLOWER COVER	S1-07323742003
1	18	BRACKET, CONDENSATE TRAP	S1-07319811009
3	19	BURNER, MAIN GAS	S1-02920482000
2	20	COIL, CONDENSING	S1-37319820801
2	21	SHELF, BLOWER	S1-07319820222
2	22	HEAT EXCHANGER ASS'Y	S1-37319820611
3	23	MANIFOLD, GAS	S1-02922253060
2	24	SHIELD, PAN	S1-07319820570
2	25	PAN, CONDENSATE	S1-02815153000
1	26	PANEL, VEST ACCESS (Lower)	S1-07319863034
1	27	PANEL, BLOWER ACCESS (Upper)	S1-07319820121
2,3	28	WRAPPER, BURNER BOX	S1-07319811760
1	29	CHANNEL, TOE PLATE	S1-07319863044
2,3	30	COVER, GAS CONTROL	S1-37322155005
1	31	PANEL, BOTTOM	S1-07319820170
1	32	PANEL, TOP	S1-07319863054
3	33	SUPPORT, BURNER	S1-07319811360
1	34	WRAPPER, CABINET	S1-07319863014
	35		
3	36	PLATE, DIFFUSER	S1-07319811026
1,3	37	BRACKET, IGNITER	S1-07317403000
	38		
*	39	BRACKET, DOOR	S1-07319863064
3	40	BOTTOM PANEL, BURNER BOX	S1-07319811160

FIG	ITEM	DESCRIPTION	GY9S120D20DH
			11K (6 BURNER)
<b>MISCELLANEOUS</b>			
2,3	41	PLUG, WINDOW, CLEAR - 1.5"	S1-02537005000
2,3	42	COMBUSTION AIR TRANSITION	S1-02815154000
1	43	TUBING, SILICONE (Gray, .188 ID, 2.83 ft)	S1-02812499000
3	44	TUBING, SILICONE (Preformed)	S1-02815170000
2	45	TUBING, SILICONE (Gray, .188 ID, 1.25 ft)	S1-02812499000
2	46	GASKET, COMBUSTION BLOWER	S1-02815177000
3	47	GASKET, CONDENSATE PAN	S1-02814759004
2	48	GASKET, UPPER CONDENSATE PAN (2 ea)	S1-02814775000
2	49	GASKET, GAS CONTROLS	S1-02815225000
2	50	GASKET, CONDENSING COIL	S1-02814760004
2	51	GASKET, COMBUSTION AIR TRANSITION	S1-02815155000
	52		
1	53	COMBUSTION AIR INTAKE ASSY	S1-02815167000
1,2	54	VENT PIPE 2" X 15.25" LG.	S1-02815166000
*	55	RUBBER SLEEVE 2.5" X 4" LG.	S1-02815162000
2	56	GROMMET, MOTOR (3 Req'd)	S1-02814740000
2	57	FERRULE (3 Req'd)	S1-02320541000
2	58	COMBUSTION BLWR RESTRICTOR	S1-02815173000
2	59	RESTRICTOR, TUBE	S1-02815206000
2	60	WASHER, FLAT FIBERGLASS (3 Req'd)	S1-02814768000
1	61	HANDLE, ACCESS	S1-02814886000
*	62	CLAMP, HOSE (2Req'd)	S1-02118390000
*	63	HARNESS, MAIN WIRING	S1-37319811540
2	64	MOUNT, 1 PC. MOTOR	S1-07319831001
3	65	ORIFICE, BURNER (Natural #45)	S1-02921182045
1	66	TRAP, CONDENSATE	S1-02814762000
*	67	WIRING DIAGRAM	104593
*	68	45 DEG. STREET ELBOW 2"	S1-02815161000
*	69	DRAIN TUBE, CONDENSATE TRAP	S1-02813309004
1	70	DRAIN TUBE, COMBUSTION BLOWER	S1-02815168000
1	71	DRAIN TUBE, CONDENSATE PAN	S1-02815156000
*	72	DRAIN TUBE, STRAIGHT 21" LG.	S1-02815169001
1,2	73	DRAIN TUBE, RAIN GUTTER	S1-02815196000
1	74	DRAIN HOSE ASSEMBLY	S1-02815176000
*	75	LOCKNUT, CONDUIT (1/2")	S1-02532683000
*	76	ADAPTER, INSERT	S1-02531808000
*	77	BUSHING, THREADED	S1-02531807000
*	78	DRAIN TUBE, VENT PIPE	S1-02815158000
*	79	BAFFLE, BURNER BOX	S1-07319811005
3	80	GROMMET, MANIFOLD	S1-02812465000
*	81	VENT PIPE ASSEMBLY	S1-02815159000
*	82	DRAIN TUBE, CONDENSATE	S1-02815197000
*	83	LOGO/BEZEL PLATE ASSEMBLY	S1-37323701003

NOTE: \*Not Shown  
 New replacement parts shown in **bold** face type at the first printing of parts list dated 12/06.  
 Major components and suggested stocking items are shown with shaded item number.  
 "<" Across from row indicates a change in that row.  
 --- Not applicable to specified model.



**TO ORDER AUTHORIZED FACTORY REPLACEMENT PARTS** - Contact your Source1 HVAC Parts Distributor or visit our website at [www.Source1Parts.com](http://www.Source1Parts.com) for a Distributor and Dealer listing.

Subject to change without notice. Printed in U.S.A.  
Copyright © by York International Corp. 2006. All rights reserved.

035-21302-001 Rev. A (1206)  
Supersedes: Nothing

---

<b>Unitary Products Group</b>	<b>5005 York Drive</b>	<b>Norman OK 73069</b>
---------------------------------------	--------------------------------	--------------------------------