



www.Source1Parts.com

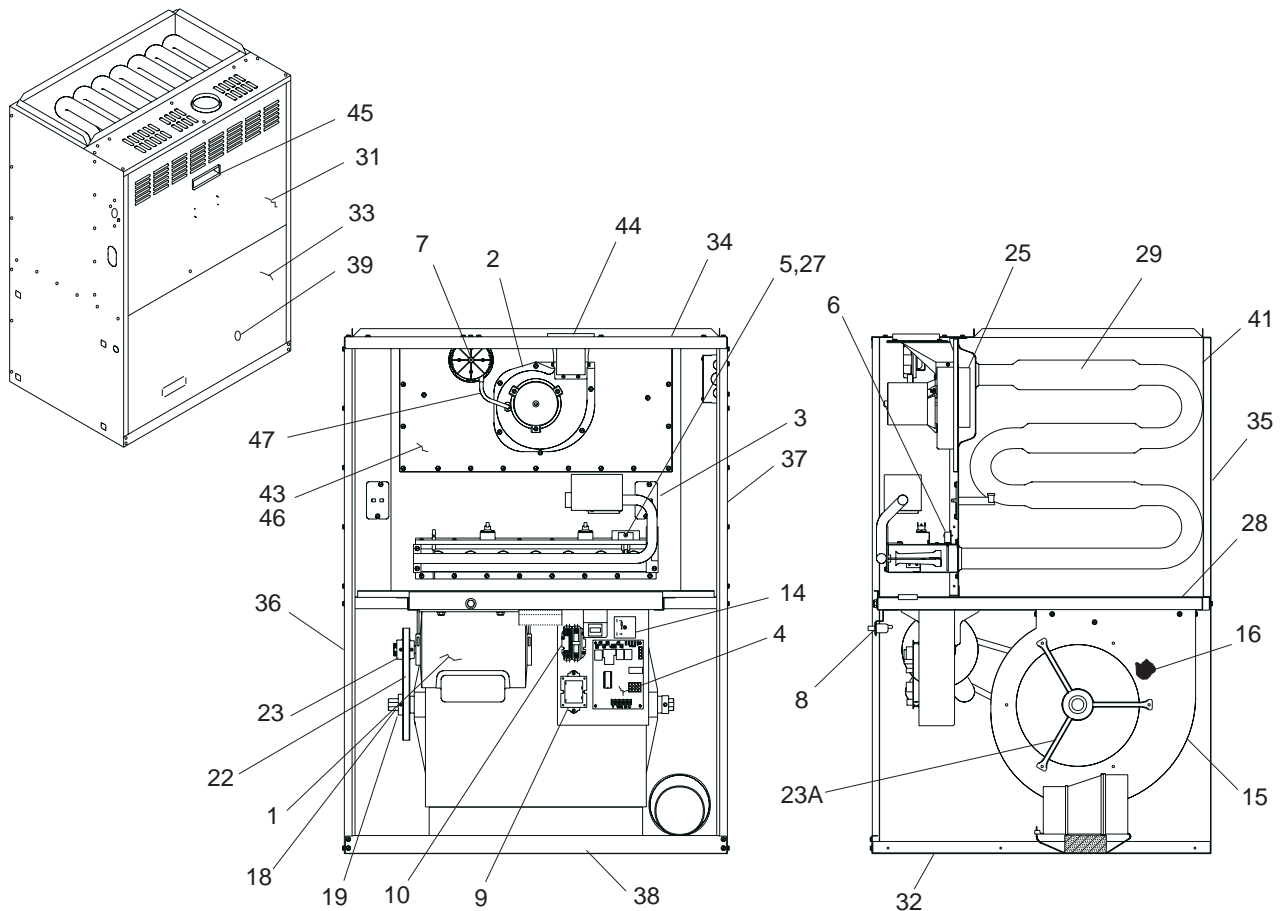
# GY8S - 80% BELT DRIVEN UPFLOW/HORIZONTAL NATURAL GAS FURNACE (STYLE C & D)

**HVAC SERVICE PARTS**

Supersedes: 035-21277-001 Rev. C (0610)

035-21277-001 Rev. D (0911)

1 of 4



**Figure 1: BELT DRIVEN UPFLOW/HORIZONTAL NATURAL GAS FURNACE (80%)**

FIG	ITEM	DESCRIPTION	GY8S160E30UH21C	GY8S160E30UH21D
			(7 BURNER)	(7 BURNER)
<b>MOTOR</b>				
1	1	MOTOR, BELT DRIVEN BLOWER	S1-02425056700	S1-02425056700
1	2	MOTOR, VENTOR ASS'Y	S1-02435329000	S1-02435329000
<b>ELECTRICAL</b>				
1	3	CONTROL, HIGH LIMIT (2 Req'd)	S1-02529041004	S1-02529041004
1	4	CONTROL, FURNACE [FC]	S1-33102956000	S1-33102956000
1	5	IGNITER	S1-02532625000	S1-02532625000
1,2	6	SENSOR, FLAME	S1-02527773700	S1-02527773700
1	7	SWITCH, AIR PRESSURE [1LP]	S1-02435270000	S1-02435270000
1	8	SWITCH, DOOR	S1-02431943000	S1-02431943000
1	9	TRANSFORMER	S1-02530889000	S1-02530889000
1	10	CONTACTOR	S1-02425836700	S1-02425836700
2	11	VALVE, GAS	S1-02537426000	S1-02537426000
2	12	SWITCH, FLAME ROLL-OUT (2 Req'd, [ROS3,4])	S1-02527747018	S1-02527747018
2	13	CONTROL, FLAME ROLL OUT (2 Req'd, [ROS1,2])	S1-02527792009	S1-02527792009
*	13A	FUSE	S1-02532746028	S1-02532746028
1	14	RELAY, TIME DELAY	S1-03101912000	S1-03101912000

NOTE: \*Not Shown

New replacement parts shown in **bold** face type at the first printing of parts list dated 9/11.

Major components and suggested stocking items are shown with shaded item number.

"<" Across from row indicates a change in that row.



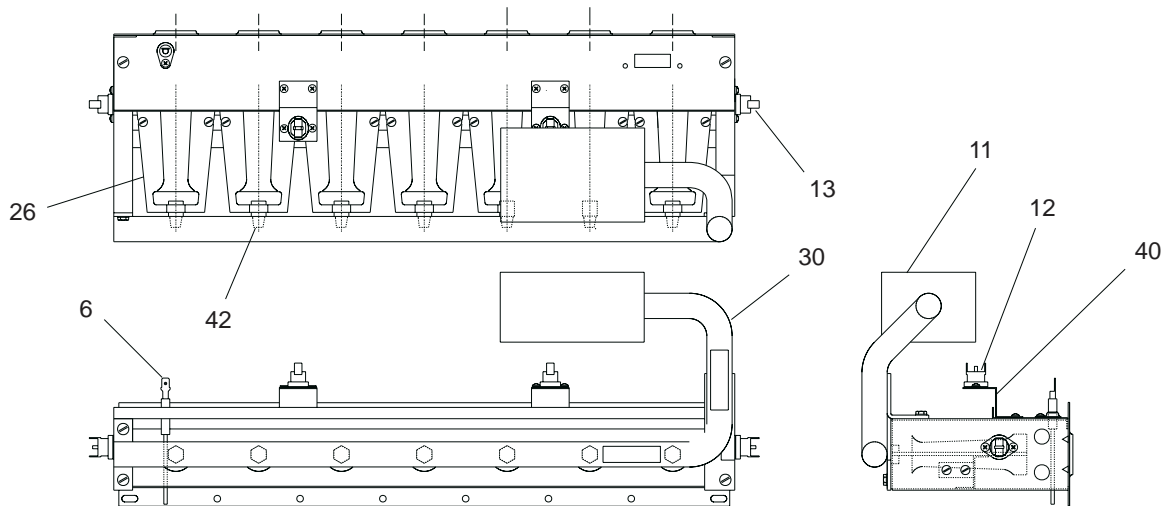


Figure 2: GAS CONTROLS

FIG.	ITEM	DESCRIPTION	GY8S160E30UH21C	GY8S160E30UH21D
			(7 BURNER)	(7 BURNER)
<b>AIR MOVING</b>				
1	15	HOUSING, BLOWER	S1-37322439001	S1-37322439001
1	16	WHEEL, BLOWER	S1-02623831700	S1-02623831700
*	17	CUTOFF, BLOWER	S1-07320777000	S1-07320777000
1	18	SHAFT, BLOWER	S1-02924410000	S1-02924410000
1	19	PULLEY, FIXED (Blower Wheel)	S1-02815208000	S1-02815208000
*	20	SPACER	S1-02321552000	S1-02321552000
*	21	BEARING, BALL (2 Req'd)	S1-02908623700	S1-02908623700
1	22	BELT, BLOWER	S1-02812422000	S1-02812422000
1	23	PULLEY, VARIABLE (Motor)	S1-02812361700	S1-02812361700
1	23A	SPIDER, BLOWER	S1-02639471000	S1-02639471000
<b>FABRICATED PARTS</b>				
*	24	SHIELD, SECONDARY AIR	S1-07317404007	S1-07317404007
1	25	BAFFLE, FLUE	S1-07317775005	S1-07317775005
2	26	BURNER, MAIN GAS	S1-02920482000	S1-02920482000
1	27	BRACKET, IGNITER	S1-07317403000	S1-07317403000
1	28	DECK, BLOWER (Rear)	S1-07322442000	S1-07322442000
*	28A	PANEL, BLOWER MOUNTING	S1-07323756001	S1-07323756001
1	29	HEAT EXCHANGER ASS'Y (Primary)	S1-37323820008	S1-37323820008
2	30	MANIFOLD, GAS	S1-02922114006	S1-02922114006
1	31	PANEL, UPPER ACCESS	S1-07319862306	S1-07319862306
1	32	PANEL, BASE	S1-07320756001	S1-07320756001
1	33	PANEL, BLOWER ACCESS	S1-07319862307	S1-07319862307
1	34	PANEL, TOP	S1-07319862304	S1-07319862304
1	35	WRAPPER, REAR	S1-07319862303	S1-07319862303
1	36	WRAPPER, CABINET (LH)	S1-07319862302	S1-07319862302
1	37	WRAPPER, CABINET (RH)	S1-07319862301	S1-07319862301
1	38	CHANNEL, TOE PLATE	S1-07319862305	S1-07319862305
1	39	PLUG, WINDOW, CLEAR - .875"	S1-02530899000	S1-02530899000
2	40	BRACKET, ROLL-OUT SWITCH	S1-07312033000	S1-07312033000
1	41	SHIELD, HEAT	S1-07320968000	S1-07320968000
*	41A	BEZEL;/LOGO ASSEMBLY	S1-37323701003	S1-37323701003

NOTE: \*Not Shown  
 New replacement parts shown in **bold** face type at the first printing of parts list code dated 9/11.  
 Major components and suggested stocking items are shown with shaded item number.  
 "<" Across from row indicates a change in that row.



FIG	ITEM	DESCRIPTION	GY8S160E30UH21C	GY8S160E30UH21D
			(7 BURNER)	(7 BURNER)
<b>MISCELLANEOUS</b>				
2	42	ORIFICE, BURNER (Natural #43)	S1-02921182043	<b>S1-02925440000</b> <
1	43	PLATE, RESTRICTOR	S1-07317490256	S1-07317490256
1	44	COLLAR, FLUE	S1-07317507000	S1-07317507000
1	45	HANDLE, DOOR	S1-02814886000	S1-02814886000
1	46	GASKET, RESTRICTOR PLATE	S1-02813262000	S1-02813262000
1	47	TUBING, RUBBER	S1-02812499000	S1-02812499000
*	48	SPRING, DOOR (2 Req'd)	S1-02922119000	S1-02922119000
*	49	BRACKET, MOUNT MOTOR	S1-37320776011	S1-37320776011
*	50	DIAGRAM, WIRING	S1-03520386002	272444
*	51	COLLAR SHAFT	S1-02635505000	S1-02635505000
*	52	S27 KEYSTOCK 1-1/4" LG.	S1-02924409000	S1-02924409000
*	53	SHIELD, INDUCER	S1-07319852100	S1-07319852100
*	54	HARNESS, MAIN WIRING	S1-37322304001	S1-02541209000

NOTE: \*Not Shown

New replacement parts shown in **bold** face type at the first printing of parts list dated 9/11.

Major components and suggested stocking items are shown with shaded item number

"<" Across from row indicates a change in that row.



**TO ORDER AUTHORIZED FACTORY REPLACEMENT PARTS** - Contact your Source1 HVAC Parts Distributor or visit our website at [www.Source1Parts.com](http://www.Source1Parts.com) for a Distributor and Dealer listing.

Subject to change without notice. Published in U.S.A.  
Copyright © 2011 by Johnson Controls, Inc. All rights reserved.

035-21277-001 Rev. D (0911)  
Supersedes: 035-21277-001 Rev. C (0610)

---

**Johnson Controls Unitary Products**  
**5005 York Drive**  
**Norman, OK 73069**