



www.Source1Parts.com

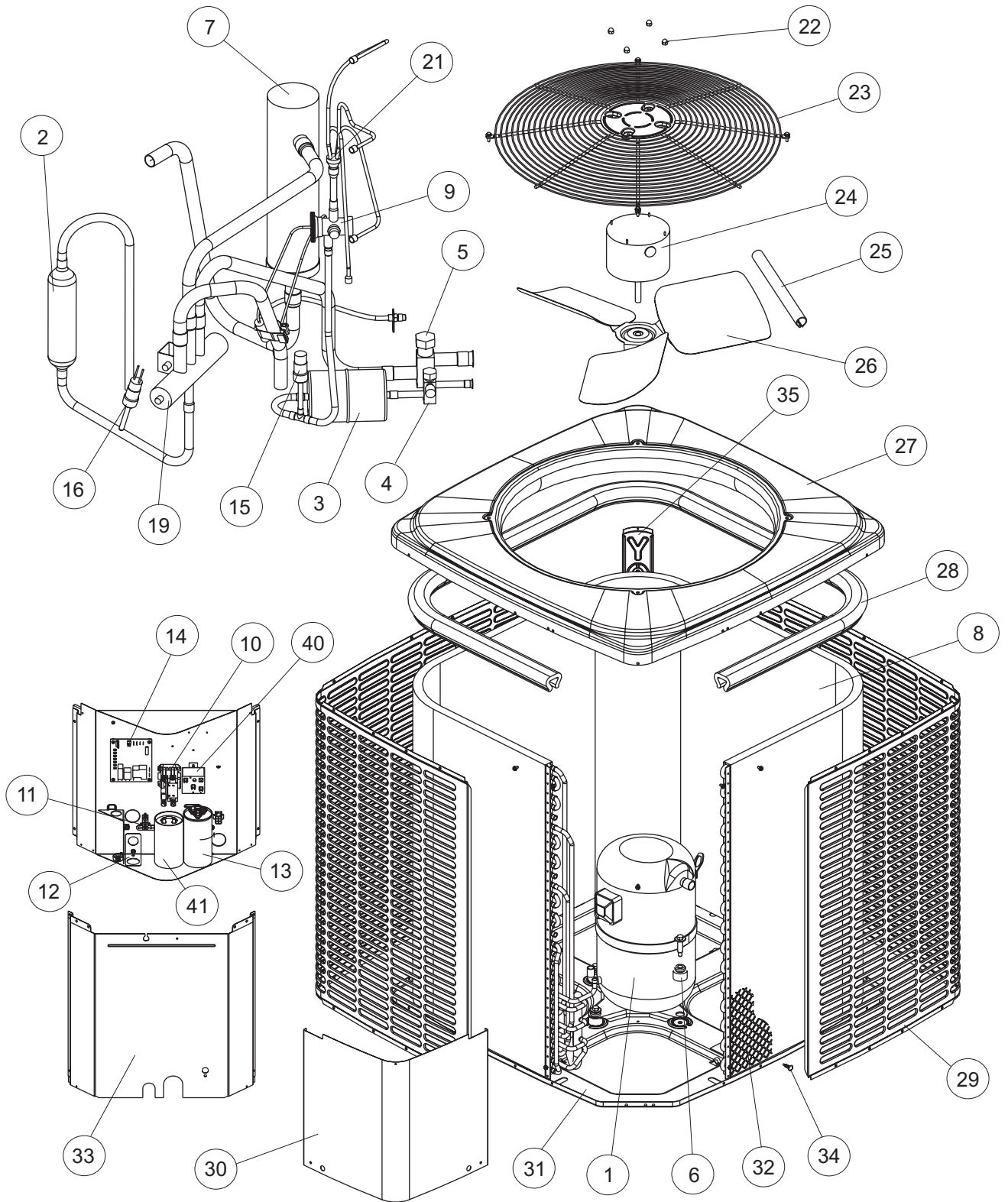
# YHJD SERIES - FIN & TUBE 14 SEER HEAT PUMP - R410A 7TH GENERATION (STYLE A)

HVAC SERVICE PARTS

Supersedes: Nothing

035-24192-001 Rev. A (0115)

1 of 4



ITEM	DESCRIPTION	YHJD18S41S7A	YHJD24S41S7A	YHJD30S41S7A	<
1	Compressor	S1-01504140004	S1-01504289001	S1-01504077004	
2	Muffler, Discharge	S1-02538947000	---	---	
3	Filter Drier	S1-52636219000	S1-52636219000	S1-52636219000	
4	Base Valve (3/8") (Liquid)	S1-02211571000	S1-02211571000	S1-02531899000	
5	Base Valve (3/4") (Suction)	S1-02211572000	S1-02211572000	S1-02531900000	
6	Compressor Mount (Pkg. of 4)	S1-02810581000	S1-02809519000	S1-02809519000	
7	Accumulator	S1-02635441000	S1-02635441000	S1-02634090000	
8	Outdoor Coil Assembly	S1-37327845001	S1-37327845002	S1-37327917001	
9	Valve, TXV	S1-02541346000	S1-02541346000	S1-02541346000	
10	Contactora (30 amp)	S1-02427531000	S1-02427531000	S1-02427531000	
11	Lug, Ground	S1-02521798000	S1-02521798000	S1-02521798000	
12	Relief, Strain	---	---	---	
13	Dual Capacitor (30/7.5 MFD)	S1-02435784000	---	---	
	Dual Capacitor (35/5 MFD)	---	S1-02425859700	S1-02425859700	
14	Board, Defrost Control	S1-33101975102	S1-33101975102	S1-33101975102	
15	Pressure Switch, Low	S1-02541264000	S1-02541264000	S1-02541264000	
16	Pressure Switch, High	S1-02535359000	S1-02535359000	S1-02535359000	
17*	Sensor, Temperature (Coil)	S1-03101276000	---	---	
18*	Sensor, Temperature (Ambient)	S1-02532701016	S1-02543293000	S1-02543293000	
19	Valve, Reversing	S1-02542731000	S1-02542731000	S1-02542731000	
20*	Solenoid Coil, Reversing Valve	<b>S1-02547252000</b>	<b>S1-02547252000</b>	<b>S1-02547252000</b>	
21	Assembly, Distributor	S1-02538973000	S1-02538973000	S1-02533424233	
22	Kit, Motor Mounting (Acorn Nuts)	S1-36390117700	S1-36390117700	S1-36390117700	
23	Guard, Fan	S1-02642586000	S1-02642586000	S1-02642586000	
24	Motor, Fan	S1-02427584000	S1-02435328000	S1-02435819000	
25	Wireway	S1-02815864000	S1-02815864000	S1-02815864000	
26	Blade, Fan	S1-02635436000	S1-02642434000	S1-02635436000	
27	Top	S1-07327844001	S1-07327844001	S1-07327844001	
28	Foam, Outdoor Coil	S1-02815863001	S1-02815863001	S1-02815863001	
29	Slotted Panel, Coil Guard (2 Req'd)	S1-07327860003	S1-07327852001	S1-07327860001	
30	Cover, Control Box	S1-07323895002	S1-07323895002	S1-07323895002	
31	Pan, Base	S1-07327844002	S1-07327844002	S1-07327844002	
32	Coil Guard, Plastic Mesh	---	---	---	
33	Panel, Blockoff	S1-07323898001	S1-07323898002	S1-07327832003	
34	Fastener, Push-in (6 Req'd)	---	---	---	
35	Post, Corner	S1-07327835001	S1-07327854002	S1-37327857004	
36*	Harness, Wire	S1-37326955005	S1-37326955005	S1-37326955005	
37*	Harness, Reversing Valve	S1-02542732001	S1-02542732001	S1-02542732001	
38*	Harness, Main Wiring	S1-37320055004	S1-37320055004	S1-37320055004	
39*	Harness, Compressor	S1-02541088000	S1-02531884000	S1-02531884000	
40	Relay, Start	---	S1-02425391700	S1-02425060000	
41	Capacitor, Start	---	S1-02431993000	S1-02431993000	
42*	Switch, High Temperature	---	---	---	
43*	Wiring Diagram	331677	544123	544123	
44*	Orifice (0.051)	S1-02919387021	---	---	
	Orifice (0.059)	---	S1-02919387021	---	
	Orifice (0.063)	---	---	S1-02919387015	
45*	Core, Valve	S1-02202475700	S1-02202475700	S1-02202475700	
46*	Body, Valve	S1-02208982000	S1-02208982000	S1-02208982000	
47*	Bolt, Compressor	S1-02131417000	S1-02131417000	S1-02131417000	

**NOTE:** \*Not ShownNew replacement parts shown in **bold** face type at the first printing of parts list dated 1/15.

Major components and suggested stocking items are shown with shaded item number.

"←" Across from row indicates a change in that row.

--- Not applicable to specified model.

ITEM	DESCRIPTION	YHJD36S41S7A	YHJD42S41S7A	YHJD48S41S7A	YHJD60S41S7A
1	Compressor	S1-01504200004	S1-01504199004	S1-01504290001	S1-01503932004
2	Muffler, Discharge	---	---	---	S1-02646781000
3	Filter Drier	S1-52636219000	S1-52636219000	S1-52636219000	S1-52636219000
4	Base Valve (3/8") (Liquid)	S1-02211571000	S1-02211571000	S1-02211571000	S1-02211571000
5	Base Valve (3/4") (Suction)	S1-02211572000	---	---	---
	Base Valve (7/8") (Suction)	---	S1-02511576000	S1-02511576000	S1-02511576000
6	Compressor Mount (Pkg. of 4)	S1-02809519000	S1-02809519000	S1-02809519000	S1-02810581000
7	Accumulator	S1-02634090000	S1-02634090000	S1-02625573008	S1-02625573008
8	Outdoor Coil Assembly	S1-37327845005	S1-37327847003	S1-37339382001	S1-37339382001
9	Valve, TXV	---	---	---	S1-02538739060
10	Contactora (30 amp)	S1-02427531000	S1-02427531000	S1-02427531000	---
	Contactora (40 amp)	---	---	---	S1-02425837700
11	Lug, Ground	S1-02521798000	S1-02521798000	S1-02521798000	S1-02521798000
12	Relief, Strain	---	---	---	---
13	Dual Capacitor (45/5 MFD)	S1-02425120700	S1-02425120700	S1-02425120700	---
	Dual Capacitor (70/5 MFD)	---	---	---	S1-02435844000
14	Board, Defrost Control	S1-03101954000	S1-03101954000	S1-03101954000	S1-33101975102
15	Pressure Switch, Low	S1-02541264000	S1-02541264000	S1-02541264000	S1-02541264000
16	Pressure Switch, High	S1-02535359000	S1-02535359000	S1-02535359000	S1-02535359000
17*	Sensor, Temperature (Coil)	---	---	---	S1-03101276000
18*	Sensor, Temperature (Ambient)	S1-02543293000	S1-02543293000	S1-02543293000	S1-02532701016
19	Valve, Reversing	S1-02542731000	S1-02533307002	S1-02542730000	S1-02542730000
20*	Solenoid Coil, Reversing Valve	<b>S1-02547252000</b>	<b>S1-02547252000</b>	<b>S1-02547252000</b>	<b>S1-02547252000</b>
21	Assembly, Distributor	S1-02211563000	S1-02211579000	S1-02211564000	S1-02533424236
22	Kit, Motor Mounting (Acorn Nuts)	S1-36390117700	S1-36390117700	S1-36390117700	S1-36390117700
23	Guard, Fan	S1-02642586000	S1-02642586000	S1-02642586000	S1-02642586000
24	Motor, Fan	S1-02435819000	S1-02435819000	S1-02435819000	S1-02435819000
25	Wireway	S1-02815864000	S1-02815864000	S1-02815864000	S1-02815864000
26	Blade, Fan	S1-02642434000	S1-02642434000	S1-02642434000	S1-02642434000
27	Top	S1-07327844001	S1-07327844001	S1-07327844001	S1-07327844001
28	Foam, Outdoor Coil	S1-02815863001	S1-02815863001	S1-02815869001	S1-02815869001
29	Slotted Panel, Coil Guard (2 Req'd)	S1-07327860002	S1-07327860002	S1-07327860002	S1-07327860002
30	Cover, Control Box	S1-07323895002	S1-07323895002	S1-07323895002	S1-07323895002
31	Pan, Base	S1-07327844002	S1-07327844002	S1-07327844002	S1-07327844002
32	Coil Guard, Plastic Mesh	---	---	---	---
33	Panel, Blockoff	S1-07327808001	S1-07327808001	S1-07327808001	S1-07327808001
34	Fastener, Push-in (6 Req'd)	---	---	---	---
35	Post, Corner	S1-07327857001	S1-07327857001	S1-07327857001	S1-07327857001
36*	Harness, Wire	S1-37326955005	S1-37326955005	S1-37326955005	S1-37326955005
37*	Harness, Reversing Valve	S1-02542732001	S1-02542732001	S1-02542732001	S1-02542732001
38*	Harness, Main Wiring	S1-37320055004	S1-37320055004	S1-37320055004	S1-37320055004
39*	Harness, Compressor	S1-02531884000	S1-02531884000	S1-02531884000	S1-02541088000
40	Relay, Start	---	---	---	---
41	Capacitor, Start	---	---	---	---
42*	Switch, High Temperature	---	---	---	---
43*	Wiring Diagram	544123	544123	544123	331677
44*	Orifice (0.071)	S1-02919387029	---	---	---
	Orifice (0.075)	---	S1-02919387017	---	---
45*	Core, Valve	S1-02202475700	S1-02202475700	S1-02202475700	S1-02202475700
46*	Body, Valve	S1-02208982000	S1-02208982000	S1-02208982000	S1-02208982000
47*	Bolt, Compressor	S1-02131417000	S1-02131417000	S1-02131417000	S1-02131417000

**NOTE:** \*Not ShownNew replacement parts shown in **bold** face type at the first printing of parts list dated 1/15.

Major components and suggested stocking items are shown with shaded item number.

"←" Across from row indicates a change in that row.

--- Not applicable to specified model.

**TO ORDER AUTHORIZED FACTORY REPLACEMENT PARTS** - Contact your Source1 HVAC Parts Distributor or visit our website at [www.Source1Parts.com](http://www.Source1Parts.com) for a Distributor and Dealer listing.