



www.Source1Parts.com

YG8S SERIES 80% SINGLE STAGE MULTI-POSITION 33" NATURAL GAS FURNACES (STYLE A) 50HZ EXPORT MODELS

HVAC SERVICE PARTS

Supersedes: 035-22215-001 Rev. A (1108)

035-22215-001 Rev. B (0410)

1 of 4

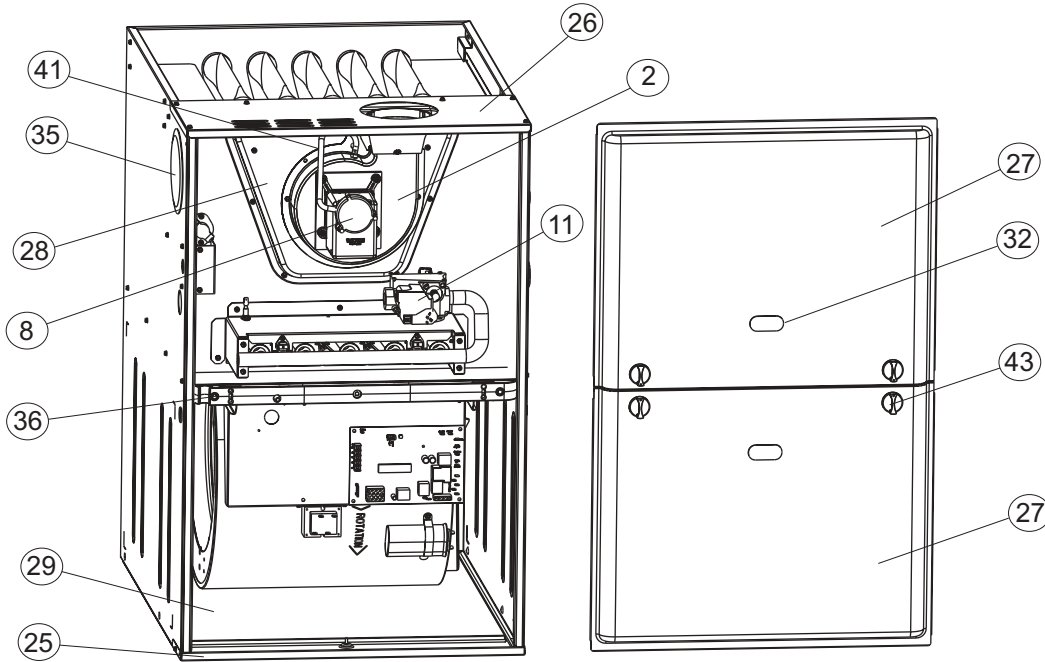


Figure 1: 80% SINGLE STAGE MULTI-POSITION NATURAL GAS FURNACES

FIG	ITEM	DESCRIPTION	YG8S060A12MP31A	YG8S080B12MP31A	YG8S080C16MP31A
			(3 BURNER)	(4 BURNER)	(4 BURNER)
MOTOR					
2	1	MOTOR, DIRECT DRIVE BLOWER	S1-02427544000	S1-02427544000	S1-02435629000
1,2	2	BLOWER, COMBUSTION	S1-02435833000	S1-02435833000	S1-02435833000
ELECTRICAL					
2	3	CAPACITOR, RUN (7.5MFD/370V)	S1-02435762000	S1-02435762000	---
		CAPACITOR, RUN (10MFD/370V)	--	---	S1-02435763000
2	4	SWITCH, LIMIT(250 Deg Man Reset,2 Req'd)	S1-02541318000	S1-02541318000	S1-02541318000
2	5	CONTROL, FURNACE	S1-02532634000	S1-02532634000	S1-02532634000
3	6	IGNITER	S1-02541467000	S1-02541467000	S1-02541467000
3	7	SENSOR, FLAME	S1-02537499000	S1-02537499000	S1-02537499000
1,2	8	SWITCH, PRESSURE	S1-02435785000	S1-02435785000	S1-02435785000
2	9	SWITCH, DOOR	S1-02435738000	S1-02435738000	S1-02435738000
2	10	TRANSFORMER	S1-02532637000	S1-02532637000	S1-02532637000
1,3	11	VALVE, GAS	S1-02538979000	S1-02538979000	S1-02538979000
2	12	CONTROL, TEMPERATURE	S1-02541320000	S1-02541320000	S1-02541320000
	13				
	14				
AIR MOVING					
2	15	HOUSING, BLOWER	S1-37327824001	S1-37327824001	S1-37327824002
2	16	WHEEL, BLOWER	S1-02619654709	S1-02619654709	S1-02619654014

NOTE: *Not Shown
 New replacement parts shown in **bold** face type at the first printing of parts list dated 4/10.
 Major components and suggested stocking items are shown with shaded item number.
 “<” Across from row indicates a change in that row.
 --- Not applicable to specified model.

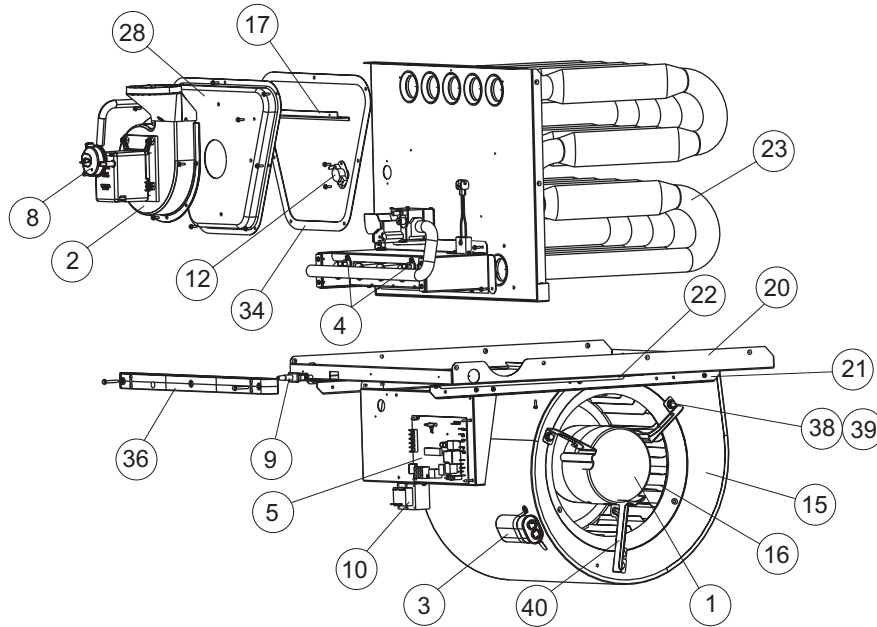


Figure 2: 80% SINGLE STAGE MULTI-POSTION NATURAL GAS FURNACES

FIG	ITEM	DESCRIPTION	YG8S060A12MP31A	YG8S080B12MP31A	YG8S080C16MP31A
			(3 BURNER)	(4 BURNER)	(4 BURNER)
FABRICATED PARTS					
2	17	BAFFLE, FLUE	S1-07327829002	S1-07327829003	S1-07327829003
3	18	BURNER, MAIN GAS	S1-02920482000	S1-02920482000	S1-02920482000
3	19	BRACKET, IGNITER	S1-07327892001	S1-07327892001	S1-07327892001
2	20	SHELF, BLOWER	S1-07327823001	S1-07327823002	S1-07327823003
2	21	RAIL, BLOWER (2 Req'd)	S1-07327825001	S1-07327825001	S1-07327825001
2	22	BRACKET, BLOWER TRACK (2 Req'd)	S1-07327825002	S1-07327825002	S1-07327825002
2	23	HEAT EXCHANGER ASS'Y	S1-37327830002	S1-37327830003	S1-37327830005
3	24	MANIFOLD, GAS	S1-02924467000	S1-02924468000	S1-02924468000
1	25	PAN, BOTTOM	S1-07327841001	S1-07327841002	S1-07327841003
1	26	PANEL, TOP	S1-07327828001	S1-07327828002	S1-07327828003
1	27	PANEL, DOOR (2 Req'd)	S1-37327822001	S1-37327822002	S1-37327822003
1,2	28	VENT PAN, COMBUSTION (w/Gasket)	S1-07327826001	S1-07327826001	S1-07327826001
1	29	PANEL, BLOCKOFF	S1-07327827001	S1-07327827002	S1-07327827003
1	30				
MISCELLANEOUS					
3	31	ORIFICE, BURNER (Natural #45)	S1-02921182045	S1-02921182045	S1-02921182045
		ORIFICE, BURNER (LP#55)	S1-02921182055	S1-02921182055	S1-02921182055
1	32	SIGHT GLASS, OVAL (2 Req'd)	S1-02538899000	S1-02538899000	S1-02538899000
*	33	GASKET, FOAM (Door) (per ft.)	S1-02815517000	S1-02815517000	S1-02815517000
2	34	GASKET, INTAKE PAN	S1-02815510000	S1-02815510000	S1-02815510000
1	35	PLUG, VENT HOLE	S1-02815516000	S1-02815516000	S1-02815516000
1,2	36	BRACKET, DOOR	S1-02815512000	S1-02815513000	S1-02815514000
*	37	WIRING HARNESS	S1-02541453000	S1-02541453000	S1-02541453000
2	38	FERRULE (3 Req'd)	S1-02320541000	S1-02320541000	S1-02320541000
2	39	GROMMET (3 Req'd)	S1-02814740000	S1-02814740000	S1-02814740000
2	40	MOTOR MOUNT (Includes item 38 & 39)	S1-37319831002	S1-37319831002	S1-37319831002
1	41	TUBING, SILICON	S1-02812499000	S1-02812499000	S1-02812499000
*	42	DIAGRAM, WIRING	435333	435333	435333
1	43	Knob, Quarter Turn (4 Req'd)	S1-02924485000	S1-02924485000	S1-02924485000

NOTE: *Not Shown
 New replacement parts shown in **bold** face type at the first printing of parts list dated 4/10.
 Major components and suggested stocking items are shown with shaded item number.
 "<" Across from row indicates a change in that row.
 --- Not applicable to specified model.

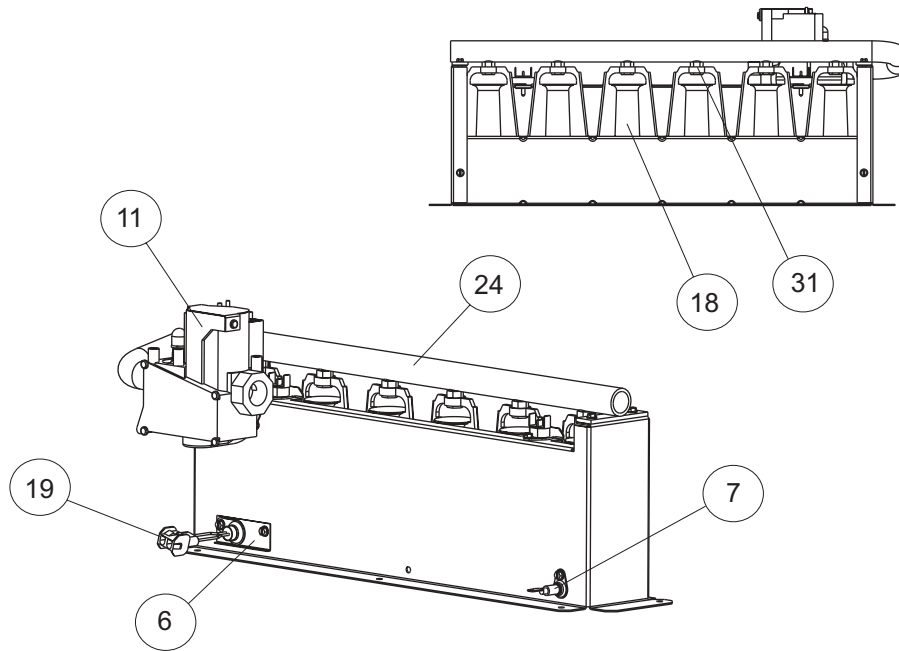


Figure 3: GAS CONTROLS

FIG	ITEM	DESCRIPTION	YG8S100C16MP31A	YG8S100C20MP31A	YG8S120C20MP31A
			(5 BURNER)	(5 BURNER)	(6 BURNER)
MOTOR					
2	1	MOTOR, DIRECT DRIVE BLOWER	S1-02435629000	S1-02435836000	S1-02435836000
1,2	2	BLOWER, COMBUSTION	S1-02435833000	S1-02435833000	S1-02435833000
ELECTRICAL					
2	3	CAPACITOR, RUN (10MFD/370V)	S1-02435763000	---	---
		CAPACITOR, RUN (15MFD/370V)	---	S1-02435764000	S1-02435764000
2	4	SWITCH, LIMIT (250 Deg Man Reset, 2 Req'd)	S1-02541318000	S1-02541318000	S1-02541318000
2	5	CONTROL, FURNACE	S1-02532634000	S1-02532634000	S1-02532634000
3	6	IGNITER	S1-02541467000	S1-02541467000	S1-02541467000
3	7	SENSOR, FLAME	S1-02537499000	S1-02537499000	S1-02537499000
1,2	8	SWITCH, PRESSURE	S1-02435786000	S1-02435786000	S1-02435785000
2	9	SWITCH, DOOR	S1-02435738000	S1-02435738000	S1-02435738000
2	10	TRANSFORMER	S1-02532637000	S1-02532637000	S1-02532637000
1,3	11	VALVE, GAS	S1-02538979000	S1-02538979000	S1-02538979000
2	12	CONTROL, TEMPERATURE	S1-02541321000	S1-02541321000	S1-02541320000
	13				
	14				
AIR MOVING					
2	15	HOUSING, BLOWER	S1-37327824002	S1-37327824003	S1-37327824003
2	16	WHEEL, BLOWER	S1-02619654014	S1-02638510000	S1-02638510000

NOTE: *Not Shown
 New replacement parts shown in **bold** face type at the first printing of parts list dated 4/10.
 Major components and suggested stocking items are shown with shaded item number.
 “<” Across from row indicates a change in that row.
 --- Not applicable to specified model.



FIG	ITEM	DESCRIPTION	YG8S100C16MP31A	YG8S100C20MP31A	YG8S120C20MP31A
			(5 BURNER)	(5 BURNER)	(6 BURNER)
FABRICATED PARTS					
2	17	BAFFLE, FLUE	S1-07327921001	S1-07327921001	S1-07327829005
3	18	BURNER, MAIN GAS	S1-02920482000	S1-02920482000	S1-02920482000
3	19	BRACKET, IGNITER	S1-07327892001	S1-07327892001	S1-07327892001
2	20	SHELF, BLOWER	S1-07327823003	S1-07327823004	S1-07327823004
2	21	RAIL, BLOWER (2 Req'd)	S1-07327825001	S1-07327825001	S1-07327825001
2	22	BRACKET, BLOWER TRACK (2 Req'd)	S1-07327825002	S1-07327825002	S1-07327825002
2	23	HEAT EXCHANGER ASS'Y	S1-37327830006	S1-37327830006	S1-37327830007
3	24	MANIFOLD, GAS	S1-02924469000	S1-02924469000	S1-02924470000
1	25	PAN, BOTTOM	S1-07327841003	S1-07327841003	S1-07327841003
1	26	PANEL, TOP	S1-07327828003	S1-07327828003	S1-07327828004
1	27	PANEL, DOOR (2 Req'd)	S1-37327822003	S1-37327822003	S1-37327822003
1,2	28	VENT PAN, COMBUSTION (w/Gasket)	S1-07327826001	S1-07327826001	S1-07327826002
1	29	PANEL, BLOCKOFF	S1-07327827003	S1-07327827003	S1-07327827003
	30				
MISCELLANEOUS					
3	31	ORIFICE, BURNER (Natural #45)	S1-02921182045	S1-02921182045	S1-02921182045
		ORIFICE, BURNER (LP#55)	S1-02921182055	S1-02921182055	S1-02921182055
1	32	SIGHT GLASS, OVAL (2 Req'd)	S1-02538899000	S1-02538899000	S1-02538899000
*	33	GASKET, FOAM (Door) (per ft.)	S1-02815517000	S1-02815517000	S1-02815517000
2	34	GASKET, INTAKE PAN	S1-02815510000	S1-02815510000	S1-02815511000
1	35	PLUG, VENT HOLE	S1-02815516000	S1-02815516000	S1-02815516000
1,2	36	BRACKET, DOOR	S1-02815514000	S1-02815514000	S1-02815514000
*	37	WIRING HARNESS	S1-02541453000	S1-02541453000	S1-02541453000
2	38	FERRULE (3 Req'd)	S1-02320541000	S1-02320541000	S1-02320541000
2	39	GROMMET (3 Req'd)	S1-02814740000	S1-02814740000	S1-02814740000
2	40	MOTOR MOUNT (Includes item 38 & 39)	S1-37319831002	S1-37319831002	S1-37319831002
1	41	TUBING, SILICON	S1-02812499000	S1-02812499000	S1-02812499000
*	42	DIAGRAM, WIRING	435333	435333	435333
1	43	KNOB, QUARTER TURN (4 Req'd)	S1-02924485000	S1-02924485000	S1-02924485000

NOTE: *Not Shown
 New replacement parts shown in **bold** face type at the first printing of parts list dated 4/10.
 Major components and suggested stocking items are shown with shaded item number.
 “<” Across from row indicates a change in that row.
 --- Not applicable to specified model.

TO ORDER AUTHORIZED FACTORY REPLACEMENT PARTS - Contact your Source1 HVAC Parts Distributor or visit our website at www.Source1Parts.com for a Distributor and Dealer listing.