



www.Source1Parts.com

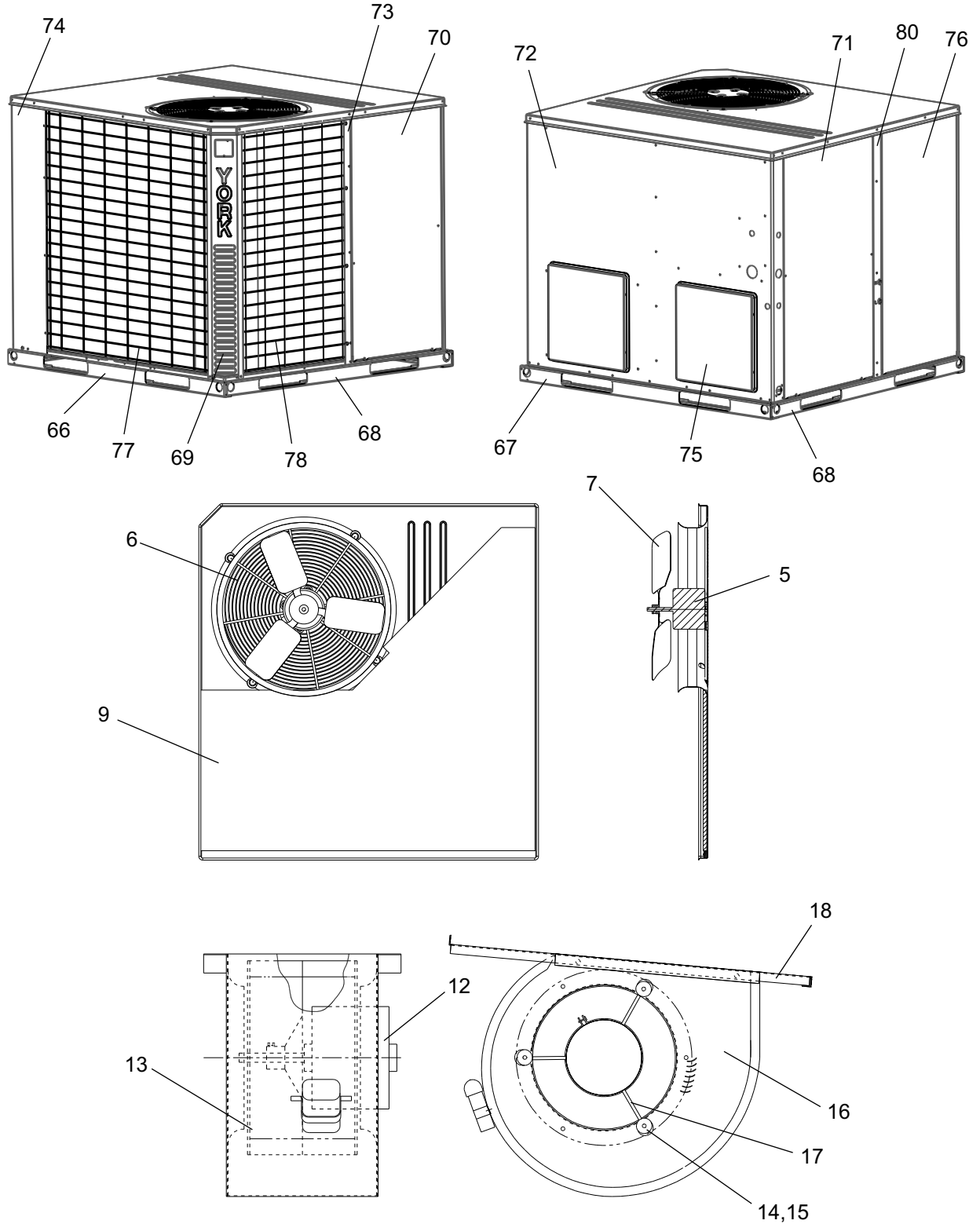
D2EZ SERIES - 13 SEER SINGLE PACKAGED ELECTRIC/ELECTRIC AIR CONDITIONER, R-410A (STYLE A,B)

HVAC SERVICE PARTS

Supersedes:035-23379-001 Rev. A (0212)

035-23379-001 Rev. B (0512)

1 of 8



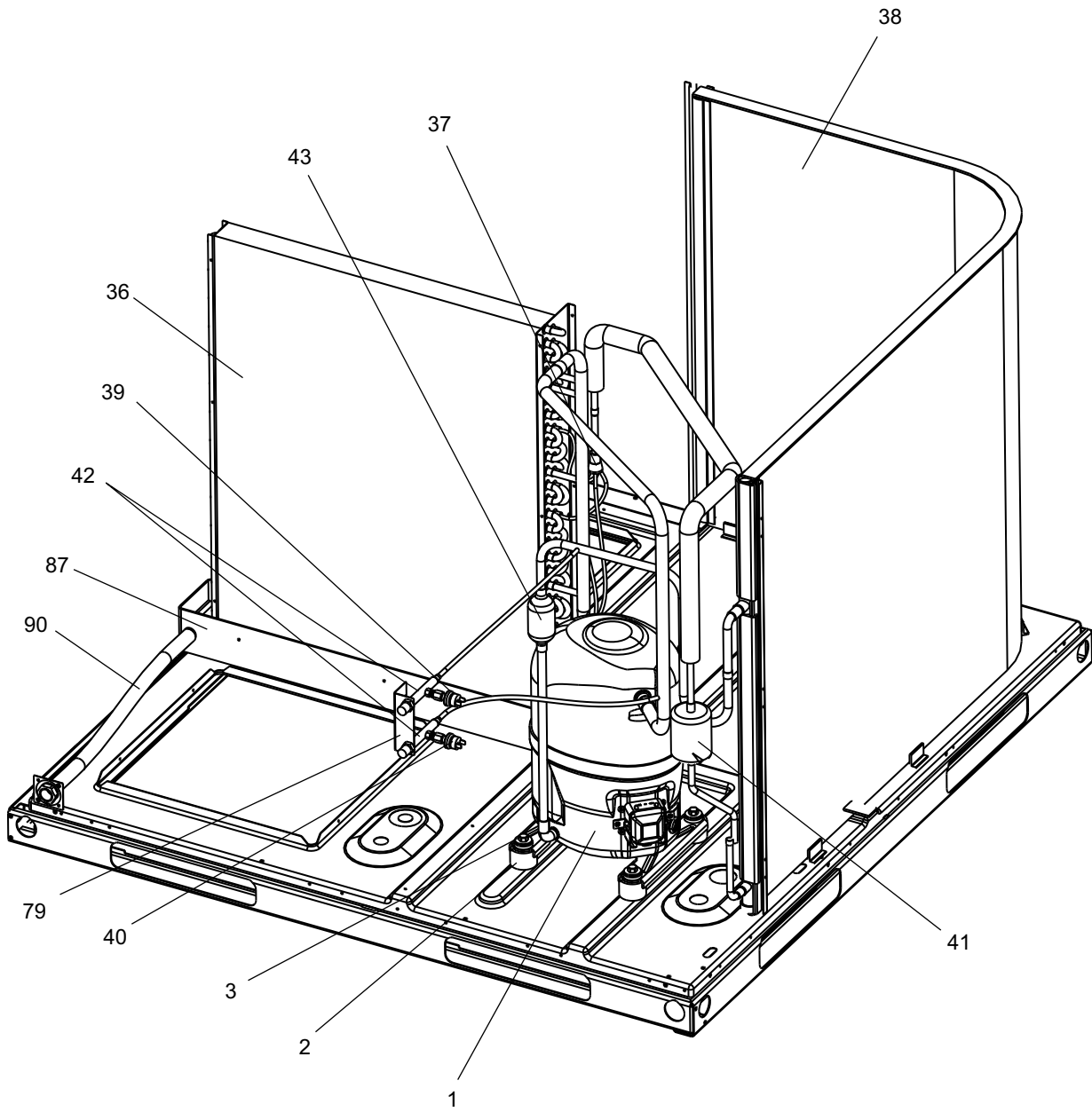


Figure 2

| ITEM | FIG | DESCRIPTION | D2EZ024A06 | D2EZ030A06 | D2EZ036A06 | D2EZ036A25 |
|---|-----|-----------------------------------|----------------|----------------|----------------|----------------|
| Compressors | | | | | | |
| 1 | 2 | Compressor | S1-01504124001 | S1-01504125001 | S1-01504126001 | S1-01504127001 |
| 2 | 2 | Cushion Mount | S1-02810505000 | S1-02810505000 | S1-02810505000 | S1-02810505000 |
| 3 | 2 | Bolt, Compressor | S1-02116047000 | S1-02116047000 | S1-02116047000 | S1-02116047000 |
| Condensor Fan Motor & Air Moving Components | | | | | | |
| 5 | 1 | Motor, Fan | S1-02425119701 | S1-02425119701 | S1-02425119701 | S1-02425119701 |
| 6 | 1 | Blade, Fan | S1-02642471000 | S1-02639408000 | S1-02639408000 | S1-02639408000 |
| 7 | 1 | Guard, Fan | S1-02646742000 | S1-02646742000 | S1-02646742000 | S1-02646742000 |
| 8 | * | Wireway(26") | S1-02810070000 | S1-02810070000 | S1-02810070000 | S1-02810070000 |
| 9 | 1 | Roof, Condenser | S1-37319411004 | S1-37319411004 | S1-37319411004 | S1-37319411004 |
| 10 | * | Kit, Acorn Nut | S1-36390117700 | S1-36390117700 | S1-36390117700 | S1-36390117700 |
| Indoor Blower Motor & Air Moving Components | | | | | | |
| 12 | 1 | Motor, Blower, Programmed | S1-02435688001 | S1-02435688002 | S1-02435688003 | S1-02435688003 |
| | | Motor, Blower, Unprogrammed | S1-02435679000 | S1-02435679000 | S1-02435679000 | S1-02435679000 |
| 13 | 1 | Wheel, Blower | S1-02632088702 | S1-02632088702 | S1-02632088003 | S1-02632088702 |
| 14 | 1 | Grommet, Motor Mount (3 Req'd) | S1-02814740000 | S1-02814740000 | S1-02814740000 | S1-02814740000 |
| 15 | 1 | Ferrule, Motor Mount (3 Req'd) | S1-02320541000 | S1-02320541000 | S1-02320541000 | S1-02320541000 |
| 16 | 1 | Housing, Blower | S1-37314999001 | S1-37314999001 | S1-37315053001 | S1-37315053001 |
| 17 | 1 | Assembly, Motor Mount | S1-07328479000 | S1-07328479000 | S1-07328479000 | S1-07328479000 |
| 18 | 1 | Plate, Blower | S1-07316632001 | S1-07316632001 | S1-07316632004 | S1-07316632004 |
| 19 | | | | | | |
| Electric Box | | | | | | |
| 22 | 3 | Relay, Control, 24V | S1-02424116000 | S1-02424116000 | S1-02424116000 | S1-02424116000 |
| 23 | 3 | Board, Control, Fan | S1-03101264002 | S1-03101264002 | S1-03101264002 | S1-03101264002 |
| 24 | 3 | Capacitor, Dual Run | S1-02423998700 | S1-02425893700 | S1-02425893700 | --- |
| | | Capacitor, Single Run | --- | --- | --- | S1-02420043700 |
| 25 | 3 | Transformer, 24V | S1-02518452700 | S1-02518452700 | S1-02518452700 | S1-02525973700 |
| 26 | 3 | Contacto | S1-02432004000 | S1-02432004000 | S1-02432004000 | S1-02435803000 |
| 27 | 3 | Lug, Electrical | S1-02521798000 | S1-02521798000 | S1-02521798000 | S1-02521798000 |
| 28 | * | Assist, Motor Start | S1-02425084000 | S1-02425084000 | S1-02425084000 | --- |
| 29 | 3 | Relay, Control, 22V | S1-02425986000 | S1-02425986000 | S1-02425986000 | S1-02425986000 |
| 30 | 3 | Breaker, Circuit | --- | --- | --- | S1-02434532000 |
| 35 | * | Diagram, Wiring | 642138 | 642138 | 642138 | 252876 |
| Evaporator Coil, Condensor Coil, and Piping Components | | | | | | |
| 36 | 2 | Coil, Evaporator | S1-37331558000 | S1-37327447000 | S1-37327447000 | S1-37327447000 |
| 37 | 2 | Valve, Distributor (Evap) | S1-02211523000 | S1-02206844085 | S1-02544132000 | S1-02544132000 |
| 38 | 2 | Coil, Condenser | S1-37331160000 | S1-37331160000 | S1-37331160000 | S1-37331160000 |
| 39 | 2 | Switch, High Pressure | S1-02538728000 | S1-02538728000 | S1-02538728000 | S1-02538728000 |
| 40 | 2 | Switch, Low Pressure | S1-02538729000 | S1-02538729000 | S1-02538729000 | S1-02538729000 |
| 41 | 2 | Filter | S1-52635463000 | S1-52635463000 | S1-52635463000 | S1-52635463000 |
| 42 | 2 | Connector Tee, Pres SW. (2 Req'd) | S1-02322437000 | S1-02322437000 | S1-02322437000 | S1-02322437000 |
| 43 | 2 | Muffler, Discharge | S1-02642184000 | S1-02642184000 | S1-02642184000 | S1-02642184000 |
| 44 | * | Valve, Schraeder (4 Req'd) | S1-02202475700 | S1-02202475700 | S1-02202475700 | S1-02202475700 |
| 45 | * | Cap, Seal (2 Req'd) | S1-02310745000 | S1-02310745000 | S1-02310745000 | S1-02310745000 |
| 46 | | | | | | |
| 47 | | | | | | |
| 48 | | | | | | |
| 49 | | | | | | |
| 50 | | | | | | |

NOTE: *Not Shown
 New replacement parts shown in **bold** face type at the first printing of parts list dated 5/12.
 Major components and suggested stocking items are shown with shaded item number.
 "<" Across from row indicates a change in that row.
 --- Not applicable to specified model.



| ITEM | FIG | DESCRIPTION | D2EZ024A06 | D2EZ030A06 | D2EZ036A06 | D2EZ036A25 |
|------------------------------------|-----|-------------------------------|----------------|----------------|----------------|----------------|
| Sheet Metal Components | | | | | | |
| 66 | 1 | Base Rail, Front | S1-07319413000 | S1-07319413000 | S1-07319413000 | S1-07319413000 |
| 67 | 1 | Base Rail, Back | S1-07319414000 | S1-07319414000 | S1-07319414000 | S1-07319414000 |
| 68 | 1 | Base Rail, Side (2 Req'd) | S1-07319415000 | S1-07319415000 | S1-07319415000 | S1-07319415000 |
| 69 | 1 | Post, Corner Assy | S1-37327360000 | S1-37327360000 | S1-37327360000 | S1-37327360000 |
| 70 | 1 | Panel, Access, Blower | S1-37318640001 | S1-37318640001 | S1-37318640001 | S1-37318640001 |
| 71 | 1 | Panel, Access, Control | S1-37316331001 | S1-37316331001 | S1-37316331001 | S1-37316331001 |
| 72 | 1 | Panel, Duct | S1-37319412002 | S1-37319412002 | S1-37319412002 | S1-37319412002 |
| 73 | 1 | Post, Corner, Center, Right | S1-07316328001 | S1-07316328001 | S1-07316328001 | S1-07316328001 |
| 74 | 1 | Post, Corner Assy, Left Front | S1-07331155000 | S1-07331155000 | S1-07331155000 | S1-07331155000 |
| 75 | 1 | Duct Cover (2 Req'd) | S1-37314853000 | S1-37314853000 | S1-37314853000 | S1-37314853000 |
| 76 | 1 | Panel, Access | S1-07316330001 | S1-07316330001 | S1-07316330001 | S1-07316330001 |
| 77 | 1 | Coil Guard, (Front) | S1-02646429000 | S1-02646429000 | S1-02646429000 | S1-02646429000 |
| 78 | 1 | Coil Guard, (Side) | S1-02634608000 | S1-02634608000 | S1-02634608000 | S1-02634608000 |
| 79 | 2 | Bracket, Service Valve | S1-07317384000 | S1-07317384000 | S1-07317384000 | S1-07317384000 |
| 80 | 1 | Post, Corner, Left, Side | S1-07316327001 | S1-07316327001 | S1-07316327001 | S1-07316327001 |
| 81 | * | Filter, Air | --- | --- | --- | S1-02633202010 |
| Drain Pan & Accessories | | | | | | |
| 87 | 2 | Pan, Drain | S1-03200139002 | S1-03200139002 | S1-03200139002 | S1-03200139002 |
| 88 | * | Plug, Drain Pan | S1-02812480000 | S1-02812480000 | S1-02812480000 | S1-02812480000 |
| 89 | * | Drain Fitting | S1-7430-3011 | S1-7430-3011 | S1-7430-3011 | S1-7430-3011 |
| 90 | 2 | Tubing, Drain | S1-02815481000 | S1-02815481000 | S1-02815481000 | S1-02815481000 |

NOTE: *Not Shown
 New replacement parts shown in **bold** face type at the first printing of parts list dated 5/12.
 Major components and suggested stocking items are shown with shaded item number.
 “←” Across from row indicates a change in that row.
 --- Not applicable to specified model.

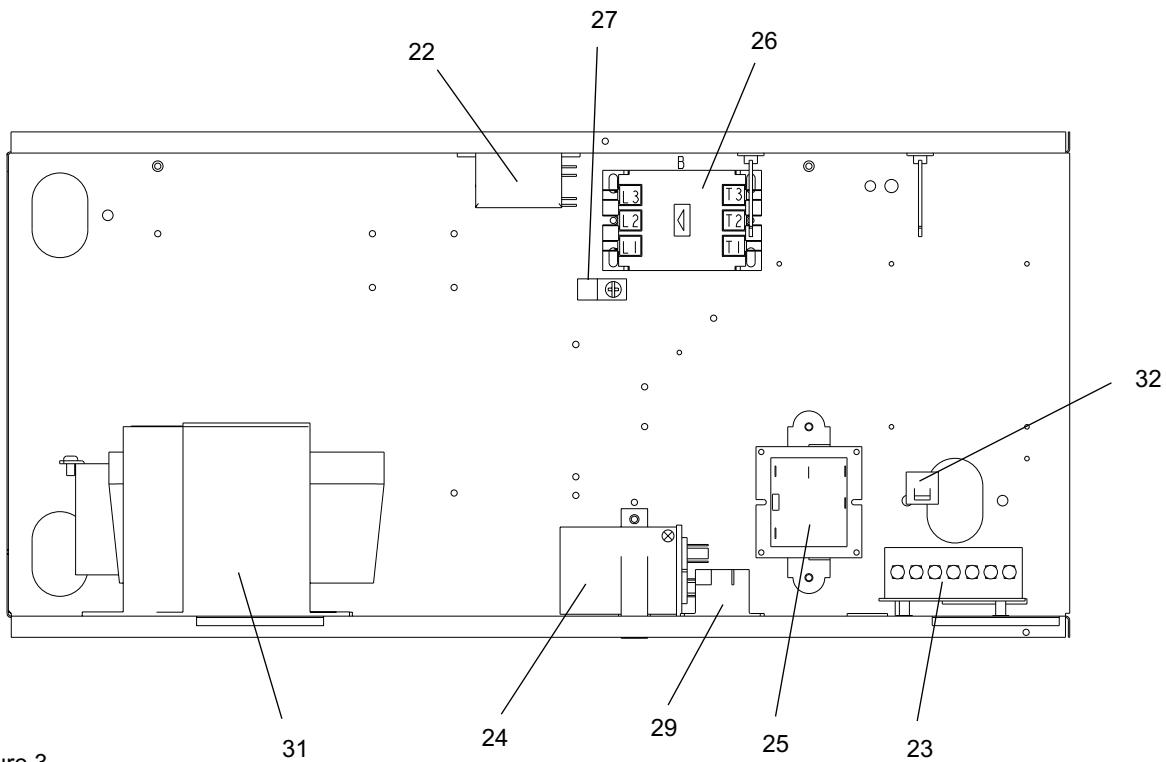


Figure 3

| ITEM | FIG | DESCRIPTION | D2EZ036A46 | D2EZ042A06 | D2EZ048A06 | D2EZ048A25 |
|---|-----|-----------------------------------|----------------|----------------|----------------|----------------|
| Compressors | | | | | | |
| 1 | 2 | Compressor | S1-01504128001 | S1-01504130001 | S1-01504080004 | S1-01504182001 |
| 2 | 2 | Cushion Mount | S1-02810505000 | S1-02810505000 | S1-02810505000 | S1-02810505000 |
| 3 | 2 | Bolt, Compressor | S1-02116047000 | S1-02116047000 | S1-02116047000 | S1-02116047000 |
| Condensor Fan Motor & Air Moving Components | | | | | | |
| 5 | 1 | Motor, Fan | S1-02425121700 | S1-02424117003 | S1-02424117003 | S1-02424117003 |
| 6 | 1 | Blade, Fan | S1-02639408000 | S1-02645745000 | S1-02639408000 | S1-02639408000 |
| 7 | 1 | Guard, Fan | S1-02646742000 | S1-02646742000 | S1-02646742000 | S1-02646742000 |
| 8 | * | Wireway(26") | S1-02810070000 | S1-02845745000 | S1-02810070000 | S1-02810070000 |
| 9 | 1 | Roof, Condenser | S1-37319411004 | S1-37319411004 | S1-37319411004 | S1-37319411004 |
| 10 | * | Kit, Acorn Nut | S1-36390117700 | S1-36390117700 | S1-36390117700 | S1-36390117700 |
| Indoor Blower Motor & Air Moving Components | | | | | | |
| 12 | 1 | Motor, Blower, Programmed | S1-02435688003 | S1-02435705001 | S1-02435705002 | S1-02435705002 |
| | | Motor, Blower, Unprogrammed | S1-02435679000 | S1-02435705000 | S1-02435705000 | S1-02435705000 |
| 13 | 1 | Wheel, Blower | S1-02632088003 | S1-02632088003 | S1-02632088003 | S1-02632088003 |
| 14 | 1 | Grommet, Motor Mount (3 Req'd) | S1-02814740000 | S1-02814740000 | S1-02814740000 | S1-02814740000 |
| 15 | 1 | Ferrule, Motor Mount (3 Req'd) | S1-02320541000 | S1-02320541000 | S1-02320541000 | S1-02320541000 |
| 16 | 1 | Housing, Blower | S1-37315053001 | S1-37315053001 | S1-37315053001 | S1-37315053001 |
| 17 | 1 | Assembly, Motor Mount | S1-07328479000 | S1-07328479000 | S1-07328479000 | S1-07328479000 |
| 18 | 1 | Plate, Blower | S1-07316332004 | S1-07316332004 | S1-07316332004 | S1-07316332004 |
| 19 | | | | | | |
| Electric Box | | | | | | |
| 22 | 3 | Relay, Control, 24V | S1-02424116000 | S1-02424116000 | S1-02424116000 | S1-02424116000 |
| 23 | 3 | Board, Control | S1-03101264002 | S1-03101264002 | S1-03101264002 | S1-03101264002 |
| 24 | 3 | Capacitor, Dual Run | --- | S1-02425059700 | S1-02425528700 | --- |
| | | Capacitor, Single Run | S1-02420043700 | --- | S1-02420045700 | S1-02420045700 |
| 25 | 3 | Transformer,24V | S1-02425974700 | S1-02518452700 | S1-02518452700 | S1-02425973700 |
| 26 | 3 | Contacto | S1-02435803000 | S1-02432004000 | S1-02432004000 | S1-02435803000 |
| 27 | 3 | Lug, Electrical | S1-02521798000 | S1-02521798000 | S1-02521798000 | S1-02521798000 |
| 28 | * | Assist, Motor Start | --- | S1-02425398000 | S1-02425398000 | --- |
| 29 | 3 | Relay, Control, 22V | S1-02425986000 | S1-02425986000 | S1-02425986000 | S1-02425986000 |
| 30 | 3 | Breaker, Circuit | S1-02434532000 | --- | --- | S1-02434532000 |
| 31 | 3 | Transformer, 230V | S1-02539924000 | --- | --- | S1-02539924000 |
| 32 | 3 | Contacto | | | | |
| 35 | * | Diagram, Wiring | 252878 | 642138 | 642152 | 252876 |
| Evaporator Coil, Condenser Coil, and Piping Components | | | | | | |
| 36 | 2 | Coil, Evaporator | S1-37327447000 | S1-37327449000 | S1-37328622000 | S1-37328622000 |
| 37 | 2 | Valve, Distributor (Evap) | S1-02544132000 | --- | S1-02544133000 | S1-02544133000 |
| 38 | 2 | Coil, Condenser | S1-37331160000 | S1-37331160000 | S1-37331161000 | S1-37331161000 |
| 39 | 2 | Switch, High Pressure | S1-02538728000 | S1-02538728000 | S1-02538728000 | S1-02538728000 |
| 40 | 2 | Switch, Low Pressure | S1-02538729000 | S1-02538729000 | S1-02538729000 | S1-02538729000 |
| 41 | 2 | Filter | S1-52635463000 | S1-52635463000 | S1-52635463000 | S1-52635463000 |
| 42 | 2 | Connector Tee, Pres Sw. (2 Req'd) | S1-02322437000 | S1-02322437000 | S1-02322437000 | S1-02322437000 |
| 43 | 2 | Muffler, Discharge | S1-02642184000 | S1-02642184000 | S1-02639507000 | S1-02639507000 |
| 44 | * | Valve, Schraeder (4 Req'd) | S1-02202475700 | S1-02202475700 | S1-02202475700 | S1-02202475700 |
| 45 | * | Cap, Seal (2 Req'd) | S1-02310745000 | S1-02310745000 | S1-02310745000 | S1-02310745000 |
| 46 | | | | | | |
| 47 | | | | | | |
| 48 | | | | | | |
| 49 | | | | | | |
| 50 | | | | | | |

NOTE: *Not Shown
 New replacement parts shown in **bold** face type at the first printing of parts list dated 5/12.
 Major components and suggested stocking items are shown with shaded item number.
 "<" Across from row indicates a change in that row.
 --- Not applicable to specified model.



| ITEM | FIG | DESCRIPTION | D2EZ036A46 | D2EZ042A06 | D2EZ048A06 | D2EZ048A25 |
|------------------------------------|-----|-------------------------------|----------------|----------------|----------------|----------------|
| Sheet Metal Components | | | | | | |
| 66 | 1 | Base Rail, Front | S1-07319413000 | S1-07319413000 | S1-07319413000 | S1-07319413000 |
| 67 | 1 | Base Rail, Back | S1-07319414000 | S1-07319414000 | S1-07319414000 | S1-07319414000 |
| 68 | 1 | Base Rail, Side (2 Req'd) | S1-07319415000 | S1-07319415000 | S1-07319415000 | S1-07319415000 |
| 69 | 1 | Post, Corner Assy | S1-37327360000 | S1-37327360000 | S1-37327359000 | S1-37327359000 |
| 70 | 1 | Panel, Access, Blower | S1-37318640001 | S1-37318640001 | S1-37318640002 | S1-37318640002 |
| 71 | 1 | Panel, Access, Control | S1-37316331001 | S1-37316331001 | S1-37316331002 | S1-37316331002 |
| 72 | 1 | Panel, Duct | S1-37319412002 | S1-37319412002 | S1-37319412005 | S1-37319412005 |
| 73 | 1 | Post, Corner, Center, Right | S1-07316328001 | S1-07316328001 | S1-07316328002 | S1-07316328002 |
| 74 | 1 | Post, Corner Assy, Left Front | S1-07331155000 | S1-07331155000 | S1-07331156000 | S1-07331156000 |
| 75 | 1 | Duct Cover (2 Req'd) | S1-37314853000 | S1-37314853000 | S1-37314853000 | S1-37314853000 |
| 76 | 1 | Panel, Access | S1-07316330001 | S1-07316330001 | S1-07316330002 | S1-07316330002 |
| 77 | 1 | Coil Guard, (Front) | S1-02646429000 | S1-02646429000 | S1-02646430000 | S1-02646430000 |
| 78 | 1 | Coil Guard, (Side) | S1-02634608000 | S1-02634608000 | S1-02635444000 | S1-02635444000 |
| 79 | 2 | Bracket, Service Valve | S1-07317384000 | S1-07317384000 | S1-07317384000 | S1-07317384000 |
| 80 | 1 | Post, Corner, Left, Side | S1-07316327001 | S1-07316327001 | S1-07316327002 | S1-07316327002 |
| 81 | * | Filter, Air | S1-02633202010 | --- | --- | S1-02633202010 |
| Drain Pan & Accessories | | | | | | |
| 87 | 2 | Pan, Drain | S1-03200139002 | S1-03200139002 | S1-03200139002 | S1-03200139002 |
| 88 | * | Plug, Drain Pan | S1-02812480000 | S1-02812480000 | S1-02812480000 | S1-02812480000 |
| 89 | * | Drain Fitting | S1-7430-3011 | S1-7430-3011 | S1-7430-3011 | S1-7430-3011 |
| 90 | 2 | tubing, Drain | S1-02815481000 | S1-02815481000 | S1-02815481000 | S1-02815481000 |

NOTE: *Not Shown
 New replacement parts shown in **bold** face type at the first printing of parts list dated 5/12.
 Major components and suggested stocking items are shown with shaded item number.
 "<" Across from row indicates a change in that row.
 --- Not applicable to specified model.



| ITEM | FIG | DESCRIPTION | D2EZ048A46 | D2EZ060A06 | D2EZ060A25 | D2EZ060A46 |
|---|-----|-----------------------------------|----------------|----------------|----------------|----------------|
| Compressors | | | | | | |
| 1 | 2 | Compressor | S1-01504186001 | S1-01503595004 | S1-01503676004 | S1-01503677004 |
| 2 | 2 | Cushion Mount | S1-02810505000 | S1-02810505000 | S1-02810505000 | S1-02810505000 |
| 3 | 2 | Bolt, Compressor | S1-02116047000 | S1-02116047000 | S1-02116047000 | S1-02116047000 |
| Condensor Fan Motor & Air Moving Components | | | | | | |
| 5 | 1 | Motor, Fan | S1-02425913700 | S1-02436002000 | S1-02436002000 | S1-02425913700 |
| 6 | 1 | Blade, Fan | S1-02639408000 | S1-02646410000 | S1-02646410000 | S1-02646410000 |
| 7 | 1 | Guard, Fan | S1-02646742000 | S1-02646742000 | S1-02646742000 | S1-02646742000 |
| 8 | * | Wireway(26") | S1-02810070000 | S1-02810070000 | S1-02810070000 | S1-02810070000 |
| 9 | 1 | Roof, Condenser | S1-37319411004 | S1-37319411004 | S1-37319411004 | S1-37319411004 |
| 10 | * | Kit, Acorn Nut | S1-36390117700 | S1-36390117700 | S1-36390117700 | S1-36390117700 |
| Indoor Blower Motor & Air Moving Components | | | | | | |
| 12 | 1 | Motor, Blower, Programmed | S1-02435705002 | S1-02435706008 | S1-02435706008 | S1-02435706008 |
| | | Motor, Blower, Unprogrammed | S1-02435705000 | S1-02435315000 | S1-02435315000 | S1-02435315000 |
| 13 | 1 | Wheel, Blower | S1-02632088003 | S1-02619654012 | S1-02619654012 | S1-02619654012 |
| 14 | 1 | Grommet, Motor Mount (3 Req'd) | S1-02814740000 | S1-02814740000 | S1-02814740000 | S1-02814740000 |
| 15 | 1 | Ferrule, Motor Mount (3 Req'd) | S1-02320541000 | S1-02320541000 | S1-02320541000 | S1-02320541000 |
| 16 | 1 | Housing, Blower | S1-37315053001 | S1-37315053001 | S1-37315053001 | S1-37315053001 |
| 17 | 1 | Assembly, Motor Mount | S1-07328479000 | S1-07328479000 | S1-07328479000 | S1-07328479000 |
| 18 | 1 | Plate, Blower | S1-07316332004 | S1-07316332004 | S1-07316332004 | S1-07316332004 |
| 19 | | | | | | |
| Electric Box | | | | | | |
| 22 | 3 | Relay, Control, 24V | S1-02424116000 | S1-02424116000 | S1-02424116000 | S1-02424116000 |
| 23 | 3 | Board, Control | S1-03101264002 | S1-03101264002 | S1-03101264002 | S1-03101264002 |
| 24 | 3 | Capacitor, Dual Run | --- | S1-02427616000 | --- | --- |
| | | Capacitor, Single Run | S1-02420045700 | --- | S1-02420043700 | S1-02420045700 |
| 25 | 3 | Transformer, 24V | S1-02525974700 | S1-02518452700 | S1-02525973700 | S1-02525974700 |
| 26 | 3 | Contacto | S1-02435803000 | S1-02432004000 | S1-02435803000 | S1-02435803000 |
| 27 | 3 | Lug, Electrical | S1-02521798000 | S1-02521798000 | S1-02521798000 | S1-02521798000 |
| 28 | * | Assist, Motor Start | --- | --- | --- | --- |
| 29 | 3 | Relay, Control, 22V | S1-02425986000 | S1-02425986000 | S1-02425986000 | S1-02425986000 |
| 30 | 3 | Breaker, Circuit | S1-02534532000 | --- | S1-02534532000 | S1-02534532000 |
| 31 | 3 | Transformer, 230V | S1-02539924000 | --- | --- | S1-02539924000 |
| 32 | 3 | Contacto | --- | --- | --- | --- |
| 35 | * | Diagram, Wiring | 252878 | 642153 | 252876 | 252878 |
| Evaporator Coil, Condensor Coil, and Piping Components | | | | | | |
| 36 | 2 | Coil, Evaporator | S1-37328622000 | S1-37331159000 | S1-37331159000 | S1-37331159000 |
| 37 | 2 | Valve, Distributor (Evap) | S1-02544133000 | S1-02206844143 | S1-02206844143 | S1-02206844143 |
| 38 | 2 | Coil, Condenser | S1-37331161000 | S1-37331161000 | S1-37331161000 | S1-37331161000 |
| 39 | 2 | Switch, High Pressure | S1-02538728000 | S1-02538728000 | S1-02538728000 | S1-02538728000 |
| 40 | 2 | Switch, Low Pressure | S1-02538729000 | S1-02538729000 | S1-02538729000 | S1-02538729000 |
| 41 | 2 | Filter | S1-52635463000 | S1-52635463000 | S1-52635463000 | S1-52635463000 |
| 42 | 2 | Connector Tee, Pres Sw. (2 Req'd) | S1-02322437000 | S1-02322437000 | S1-02322437000 | S1-02322437000 |
| 43 | 2 | Muffler, Discharge | S1-02639507000 | --- | --- | --- |
| 44 | * | Valve, Schraeder (4 Req'd) | S1-02202475700 | S1-02202475700 | S1-02202475700 | S1-02202475700 |
| 45 | * | Cap, Seal (2 Req'd) | S1-02310745000 | S1-02310745000 | S1-02310745000 | S1-02310745000 |
| 46 | * | Extension, Orifice | S1-07321234000 | --- | --- | --- |
| 47 | | | | | | |
| 48 | | | | | | |
| 49 | | | | | | |
| 50 | | | | | | |

NOTE: *Not Shown
 New replacement parts shown in **bold** face type at the first printing of parts list dated 5/12.
 Major components and suggested stocking items are shown with shaded item number.
 "<" Across from row indicates a change in that row.
 --- Not applicable to specified model.



| ITEM | FIG | DESCRIPTION | D2EZ048A46 | D2EZ060A06 | D2EZ060A25 | D2EZ060A46 |
|------------------------------------|-----|-------------------------------|----------------|----------------|----------------|----------------|
| Sheet Metal Components | | | | | | |
| 66 | 1 | Base Rail, Front | S1-07319413000 | S1-07319413000 | S1-07319413000 | S1-07319413000 |
| 67 | 1 | Base Rail, Back | S1-07319414000 | S1-07319414000 | S1-07319414000 | S1-07319414000 |
| 68 | 1 | Base Rail, Side (2 Req'd) | S1-07319415000 | S1-07319415000 | S1-07319415000 | S1-07319415000 |
| 69 | 1 | Post, Corner Assy | S1-37327359000 | S1-37327359000 | S1-37327359000 | S1-37327359000 |
| 70 | 1 | Panel, Access, Blower | S1-37318640002 | S1-37318640002 | S1-37318640002 | S1-37318640002 |
| 71 | 1 | Panel, Access, Control | S1-37316331002 | S1-37316331002 | S1-37316331002 | S1-37316331002 |
| 72 | 1 | Panel, Duct | S1-37319412005 | S1-37319412005 | S1-37319412005 | S1-37319412005 |
| 73 | 1 | Post, Corner, Center, Right | S1-07316328002 | S1-07316328002 | S1-07316328002 | S1-07316328002 |
| 74 | 1 | Post, Corner Assy, Left Front | S1-07331156000 | S1-07331156000 | S1-07331156000 | S1-07331156000 |
| 75 | 1 | Duct Cover (2 Req'd) | S1-37314853000 | S1-37314853000 | S1-37314853000 | S1-37314853000 |
| 76 | 1 | Panel, Access | S1-07316330002 | S1-07316330002 | S1-07316330002 | S1-07316330002 |
| 77 | 1 | Coil Guard, (Front) | S1-02646430000 | S1-02646430000 | S1-02646430000 | S1-02646430000 |
| 78 | 1 | Coil Guard, (Side) | S1-02635444000 | S1-02635444000 | S1-02635444000 | S1-02635444000 |
| 79 | 2 | Bracket, Service Valve | S1-07317384000 | S1-07317384000 | S1-07317384000 | S1-07317384000 |
| 80 | 1 | Post, Corner, Left, Side | S1-07316327002 | S1-07316327002 | S1-07316327002 | S1-07316327002 |
| 81 | * | Filter, Air | S1-02633202010 | --- | S1-02633202010 | S1-02633202010 |
| Drain Pan & Accessories | | | | | | |
| 87 | 2 | Pan, Drain | S1-03200139002 | S1-03200139002 | S1-03200139002 | S1-03200139002 |
| 88 | * | Plug, Drain Pan | S1-02812480000 | S1-02812480000 | S1-02812480000 | S1-02812480000 |
| 89 | * | Drain Fitting | S1-7430-3011 | S1-7430-3011 | S1-7430-3011 | S1-7430-3011 |
| 90 | 2 | Tube, Drain | S1-02815481000 | S1-02815481000 | S1-02815481000 | S1-02815481000 |

NOTE: *Not Shown

New replacement parts shown in **bold** face type at the first printing of parts list dated 5/12.

Major components and suggested stocking items are shown with shaded item number.

"<" Across from row indicates a change in that row.

--- Not applicable to specified model.

TO ORDER AUTHORIZED FACTORY REPLACEMENT PARTS - Contact your Source1 HVAC Parts Distributor or visit our website at www.Source1Parts.com for a Distributor and Dealer listing.