



www.Source1Parts.com

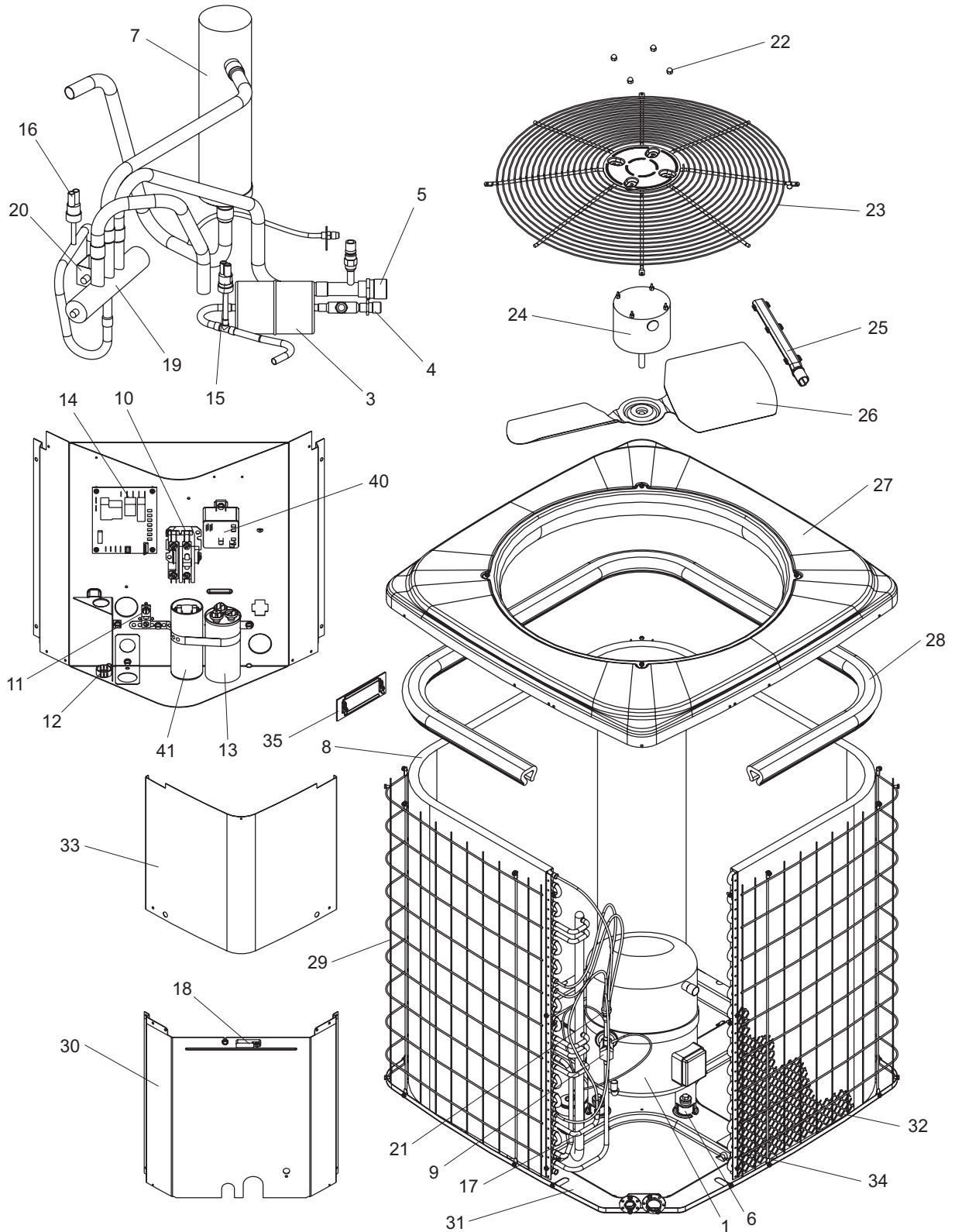
HVAC SERVICE PARTS

# CHGD SERIES - FIN & TUBE 13 SEER HEAT PUMP, R-410A QUICK CONNECT VERSION (STYLE A)

Supersedes:035-22732-001 Rev. G (0711)

035-22732-001 Rev. H (0914)

1 of 2



ITEM	DESCRIPTION	CHGD24S41Q1A	CHGD30S41Q1A	CHGD36S41Q1A	CHGD42S41Q1A
1	Compressor	S1-01504124001	S1-01504077004	S1-01504200004	S1-01503592004
2					
3	Filter Drier	S1-52636219000	S1-52636219000	S1-52636219000	S1-52636219000
4	Coupler Half (3/8") (Liquid)	S1-3924-3021	S1-3924-3021	S1-3924-3021	S1-3924-3021
5	Coupler Half (3/4") (Suction)	S1-3924-3051	S1-3924-3051	S1-3924-3051	---
	Coupler Half (7/8") (Suction)	---	---	---	S1-3948-3051
6	Compressor Mount (Pkg. of 4)	S1-02809519000	S1-02809519000	S1-02809519000	S1-02810581000
7	Accumulator	S1-02634090000	S1-02634090000	S1-02634090000	S1-02634090000
8	Outdoor Coil Assembly	S1-37327845002	S1-37327900001	S1-37327845005	S1-37327847003
9	Valve, TXV	S1-02541346000	S1-02541339000	S1-02541339000	S1-02541339000
10	Contactora (30 amp)	S1-02427531000	S1-02427531000	S1-02427531000	S1-02427531000
11	Lug, Ground	S1-02521798000	S1-02521798000	S1-02521798000	S1-02521798000
12	Relief, Strain	S1-02509080000	S1-02509080000	S1-02509080000	S1-02509080000
13	Dual Capacitor (35/5 MFD)	S1-02425859700	S1-02425859700	---	---
	Dual Capacitor (45/5 MFD)	---	---	S1-02425120700	---
	Dual Capacitor (55/5 MFD)	---	---	---	S1-02425049700
14	Board, Defrost Control	S1-33101975102	S1-33101975102	S1-33101975102	S1-33101975102
15	Pressure Switch, Low	S1-02541264000	S1-02541264000	S1-02541264000	S1-02541264000
16	Pressure Switch, High	S1-02535359000	S1-02535359000	S1-02535359000	S1-02535359000
17*	Sensor, Temperature (Coil)	S1-03101276000	S1-03101276000	S1-03101276000	S1-03101276000
18*	Sensor, Temperature (Ambient)	S1-02532701016	S1-02532701016	S1-02532701016	S1-02532701016
19	Valve, Reversing (Ranco)	S1-02538945000	S1-02538945000	S1-02538945000	S1-02538946000
	Valve, Reversing (Danfoss)	S1-02542731000	S1-02542731000	S1-02542731000	S1-02533307002
20	Solenoid Coil, Reversing Valve (Ranco)	S1-02538948000	S1-02538948000	S1-02538948000	S1-02538948000
	Solenoid Coil, Reversing Valve (Danfoss)	S1-02530215002	S1-02530215002	S1-02530215002	S1-02530215002
21	Assembly, Distributor	S1-02533424233	S1-02533424235	S1-02533424234	S1-02533424234
	Assembly, Distributor w/TXV	S1-02542662000	S1-02542693000	S1-02542664000	S1-02542664000
22	Kit, Motor Mounting (Acorn Nuts)	S1-36390117700	S1-36390117700	S1-36390117700	S1-36390117700
23	Guard, Fan	S1-02642586000	S1-02642586000	S1-02642586000	S1-02642586000
24	Motor, Fan	S1-02435328000	S1-02435328000	S1-02435819000	S1-02435819000
25	Wireway	S1-02815864000	S1-02815864000	S1-02815864000	S1-02815864000
26	Blade, Fan	S1-02646400000	S1-02646400000	S1-02642434000	S1-02642434000
27	Top	S1-07327844001	S1-07327844001	S1-07327844001	S1-07327844001
28	Foam, Outdoor Coil	S1-02815863000	S1-02815863000	S1-02815863000	S1-02815863000
29	Guard, Coil	S1-07327903001	S1-07327903002	S1-07327903003	S1-07327903003
30	Cover, Control Box	S1-07323895002	S1-07323895002	S1-07323895002	S1-07323895002
31	Pan, Base	S1-07327844002	S1-07327844002	S1-07327844002	S1-07327844002
32	Coil Guard, Plastic Mesh	S1-02815241000	S1-02815240000	S1-02815935000	S1-02815935000
33	Panel, Blockoff	S1-07323898002	S1-07327832003	S1-07327808001	S1-07327808001
34	Fastener, Push-in (6 Req'd)	S1-02118381000	S1-02118381000	S1-02118381000	S1-02118381000
35	Plate, Bezel	S1-02815487000	S1-02815487000	S1-02815487000	S1-02815487000
36*	Harness, Wire	S1-37326955005	S1-37326955005	S1-37326955005	S1-37326955005
37*	Harness, Reversing Valve (Ranco)	S1-02531923000	S1-02531923000	S1-02531923000	S1-02531923000
	Harness, Reversing Valve (Danfoss)	S1-02542732000	S1-02542732000	S1-02542732000	S1-02542732000
38*	Harness, Main Wiring	S1-37320055004	S1-37320055004	S1-37320055004	S1-37320055004
39*	Harness, Compressor	S1-02531884000	S1-02531884000	S1-02531884000	S1-02531884000
40	Relay, Start	S1-02425391700	S1-02425060000	S1-02425035000	---
41	Capacitor, Start	S1-02431993000	S1-02431993000	S1-02525076700	---
42*	Wiring Diagram	331677	331677	331677	331677

**NOTE:** \*Not ShownNew replacement parts shown in **bold** face type at the first printing of parts list dated 9/14.

Major components and suggested stocking items are shown with shaded item number.

"←" Across from row indicates a change in that row.

--- Not applicable to specified model.

**TO ORDER AUTHORIZED FACTORY REPLACEMENT PARTS** - Contact your Source1 HVAC Parts Distributor or visit our website at [www.Source1Parts.com](http://www.Source1Parts.com) for a Distributor and Dealer listing.