



www.Source1Parts.com

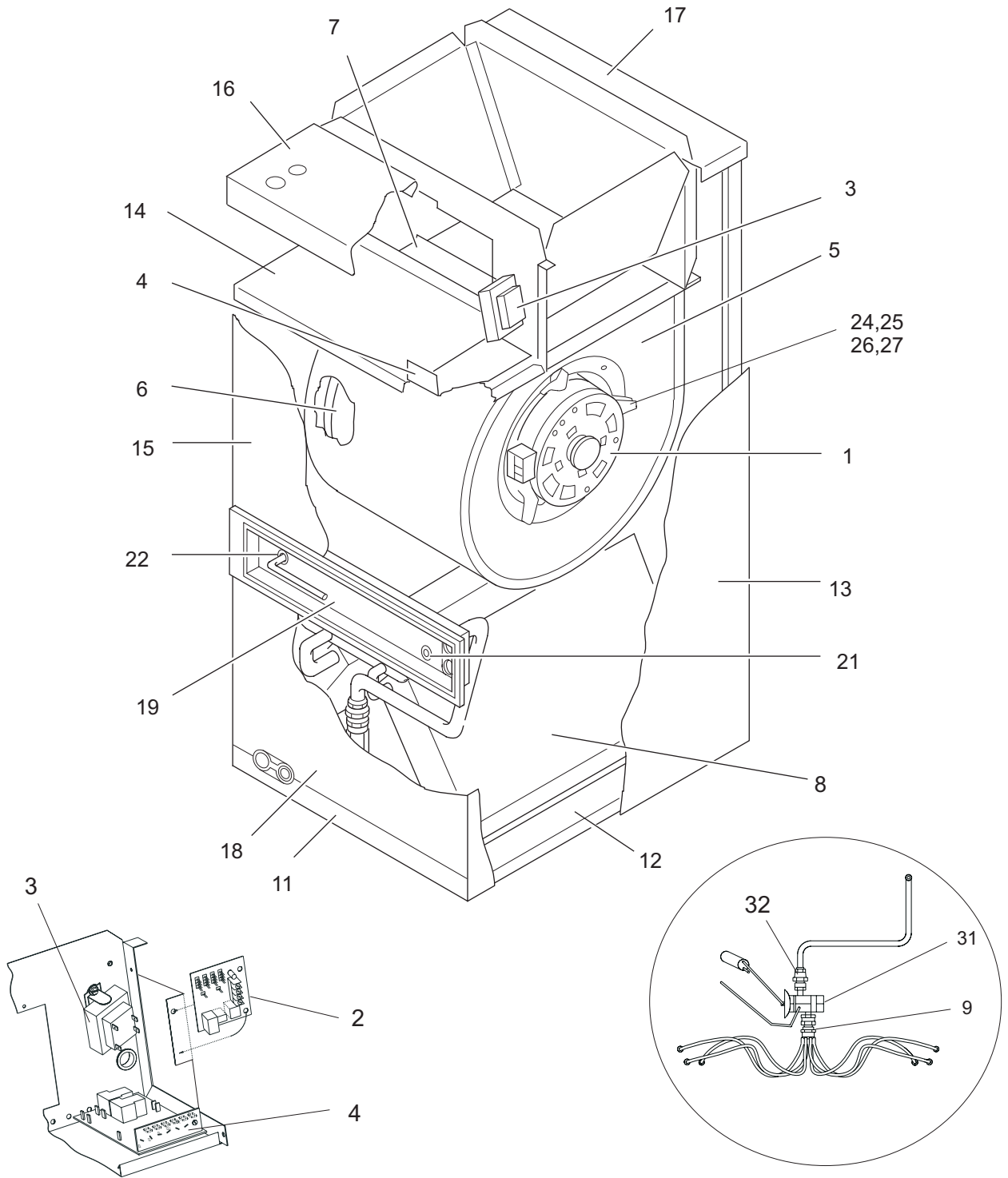
HVAC SERVICE PARTS

F4FV VARIABLE SPEED FAN COIL UNIT (STYLE A)

Supersedes:035-21156-001 Rev. B (0806)

035-21156-001 Rev. C (0508)

1 of 2



ITEM	DESCRIPTION	F4FV060H06T2CA	F4FV060H06T3XA <
1A	Motor/Module Complete (Programmed)	S1-02435646000	S1-02435294000
1B	Blower Motor Only (Unprogrammed)	S1-02431941001	S1-02431941000
1C	ECM Module Only (Programmed)	S1-32432015073	S1-32432015073
2	CFM Selection Board	S1-03101958000	S1-03101958000
3	Transformer (40VA)	S1-02518452000	S1-02518452700
4	Module, Heat Control	S1-03101264002	S1-03101264002
5	Housing, Blower	S1-37318075003	S1-37318075003
6	Wheel, Blower	S1-02634501000	S1-02634501000
7	Plate, Cutoff (Blower)	S1-07315745000	S1-07315745000
8	Coil , Evaporator (w/Drain Pan)	S1-37323848009	S1-37327868009
9	Distributor	S1-02539852000	S1-02540999000
10			
11	Door, Filter	S1-07320962000	S1-07320962000
12	Pan, Drain	S1-03200170001	S1-03200170001
13	Wrapper (Insulated)	S1-37320996016	S1-37320996016
14	Panel, Control	S1-07318369000	S1-07318369000
15	Panel, Door (Top)	S1-37318081001	S1-37318081001
16	Panel, Front Top	S1-37315422016	S1-37315422016
17	Panel, Rear Top	S1-37315421016	S1-37315421016
18	Panel, Bottom	S1-37316621002	S1-37316621002
19	Panel, Recessed	S1-03200148006	S1-03200148006
20*	Plate, Circuit Breaker	S1-03200158000	S1-03200158000
21	Grommet, 3/8"	S1-02813202000	S1-02813202000
22	Grommet, 7/8"	S1-02813205000	S1-02813205000
23	Diagram, Wiring	035-14501-000	127970
24	Motor Mount	S1-02631459000	S1-32631459000
25	Tube, Isolator (3 Req'd)	S1-02809412001	S1-02809412001
26	Washer, Isolator (3 Req'd)	S1-02809412002	S1-02809412002
27	Sleeve, Isolator (3 Req'd)	S1-02814782000	S1-02814782000
28*	Pan, Horizontal Drain	S1-03200176000	S1-03200176001
29*	Magnet, Panel Retaining (2 Req'd)	S1-02922151000	S1-02922151000
30*	Standoff, Plastic	S1-02813201000	S1-02813201000
31	Valve, TXV	S1-1TVM2C1	---
32	Connector, Field	S1-02531890001	S1-02531890001
33*	Harness, Wiring (16 Pin)	S1-37318236001	S1-37318236001
34*	Harness, Power (4 Pin)	S1-37315424001	S1-37315424001
35*	Harness, Low Volt Plug (Jumper)	S1-37315425001	S1-37315425001
36*	Harness, Wiring (6 Pin)	S1-37318237001	S1-37318237001
37*	Harness, Power (5 Pin)	S1-37318235001	S1-37318235001

NOTE: *Not Shown

New replacement parts shown in **bold** face type at the first printing of parts list dated 5/08
Major components and suggested stocking items are shown with shaded item number.

"<" Across from row indicates a change in that row.

--- Not applicable to specified model.

TO ORDER AUTHORIZED FACTORY REPLACEMENT PARTS - Contact your Source1 HVAC Parts Distributor or visit our website at www.Source1Parts.com for a Distributor and Dealer listing.