



www.Source1Parts.com

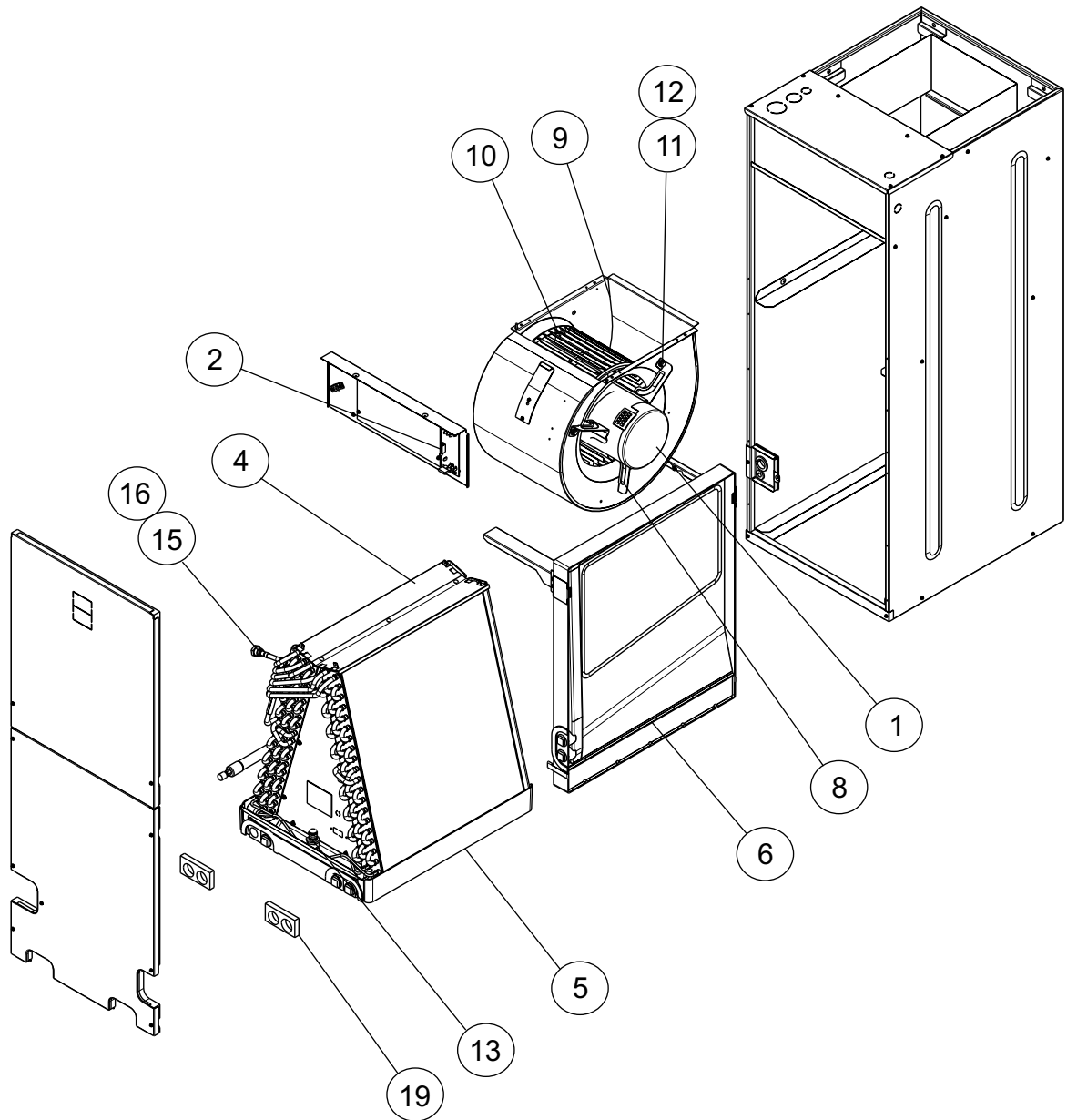
HVAC SERVICE PARTS

# AHE SERIES SINGLE PIECE AIR HANDLER STANDARD ECM MOTOR, FLEX COIL MODELS (STYLE A, B)

Supersedes:035-23082-001 Rev. C (0512)

035-23082-001 Rev. D (0113)

1 of 2



**FIGURE 1: SINGLE PIECE AIR HANDLER**

ITEM	DESCRIPTION	AHE18B3XH21	AHE22B3XH21	AHE24B3XH21	AHE30B3XH21
1	Blower Motor, Programmed	S1-02436011000	S1-02436012000	S1-02436012000	S1-02436012000
1A	Blower Motor, Unprogrammed	S1-02435850000	S1-02435850000	S1-02435850000	S1-02435850000
2	Control Board, ECM	S1-03102985000	S1-03102985000	S1-03102985000	S1-03102985000
3*	Transformer	S1-02518452700	S1-02518452700	S1-02518452700	S1-02518452700
4	Coil, Flex (w/drain pan)	S1-37323793010	S1-37327935001	S1-37323793001	S1-37323793001
5	Drain Pan, Vertical	S1-37323794005	S1-37323794001	S1-37323794001	S1-37323794001
6	Drain Pan, Horizontal	S1-03200216000	S1-03200216000	S1-03200216000	S1-03200216000
7*	Baffle Kit	S1-37323890002	S1-37323890002	S1-37323890002	S1-37323890002
8	Kit, Motor Mount (Includes 11 & 12)	S1-37319831002	S1-37319831002	S1-37319831002	S1-37319831002
9	Housing, Blower	S1-37327931001	S1-37327931001	S1-37327931001	S1-37327931001
10	Wheel, Blower	S1-02634005000	S1-02634005000	S1-02634005000	S1-02634005000
11	Grommet, Motor Mount (3 Req'd)	S1-02814740000	S1-02814740000	S1-02814740000	S1-02814740000
12	Ferrule, Motor Mount (3 Req'd)	S1-02302541000	S1-02302541000	S1-02302541000	S1-02302541000
13	Distributor	S1-02209089000	S1-02209089000	S1-02209083000	S1-02209083000
14*	Cover, Hairpin (2 Req'd)	S1-03100205000	S1-03100206000	S1-03100209000	S1-03100209000
15	Line, Liquid (Includes Item 16)	S1-02321572000	S1-02321572000	S1-02321572000	S1-02321572000
16	Connector, Field	S1-02531890001	S1-02531890001	S1-02531890001	S1-02531890001
17*	Grommet, 3/4"	S1-02813204000	S1-02813204000	S1-02813204000	S1-02813204000
18*	Grommet, 3/8"	S1-02813209000	S1-02813209000	S1-02813209000	S1-02813209000
19	Gasket, Drain Pan (3 Req'd)	S1-02816402000	S1-02816402000	S1-02816402000	S1-02816402000
20*	Harness, Wiring	S1-02544095000	S1-02544095000	S1-02544095000	S1-02544095000
21*	Wiring Diagram	661691	661691	661691	661691
22*	Fastener, Clip (2 Req'd)	S1-02131402000	S1-02131402000	S1-02131402000	S1-02131402000

<

ITEM	DESCRIPTION	AHE34C3XH21	AHE36C3XH21	AHE42D3XH21	AHE48D3XH21	AHE60D3XH21
1	Blower Motor, Programmed	S1-02436036000	S1-02436015000	S1-02436013000	S1-02436014000	S1-02436016000
1A	Blower Motor, Unprogrammed	S1-02435679000	S1-02435679000	S1-02435679000	S1-02435705000	S1-02435705000
2	Control Board, ECM	S1-03102985000	S1-03102985000	S1-03102985000	S1-03102985000	S1-03102985000
3*	Transformer	S1-02518452700	S1-02518452700	S1-02518452700	S1-02518452700	S1-02518452700
4	Coil, Flex (w/drain pan)	S1-37323865001	S1-37323793002	S1-37323793004	S1-37323793016	S1-37327809002
5	Drain Pan, Vertical	S1-37323794002	S1-37323794002	S1-37323794003	S1-37323794003	S1-37323794003
6	Drain Pan, Horizontal	S1-03200217000	S1-03200217000	S1-03200218000	S1-03200218000	S1-03200218000
7*	Baffle Kit	S1-37323890003	S1-37323890003	S1-37323890004	S1-37323890004	S1-37323890004
8	Kit, Motor Mount (Includes 11 & 12)	S1-37319831002	S1-37319831002	S1-37319831003	S1-37319831002	S1-37319831002
9	Housing, Blower	S1-37327931003	S1-37327931003	S1-37327931003	S1-37327931003	S1-37327931003
10	Wheel, Blower	S1-02634501000	S1-02634501000	S1-02634501000	S1-02634501000	S1-02634501000
11	Grommet, Motor Mount (3 Req'd)	S1-02814740000	S1-02814740000	S1-02814740000	S1-02814740000	S1-02814740000
12	Ferrule, Motor Mount (3 Req'd)	S1-02302541000	S1-02302541000	S1-02302541000	S1-02302541000	S1-02302541000
13	Distributor	S1-02209083000	S1-02209083000	S1-02209084000	S1-02541001000	S1-02541001000
14*	Cover, Hairpin (2 Req'd)	S1-03100209000	S1-03100210000	S1-03100211000	S1-03100212000	S1-03109145000
15	Line, Liquid (Includes Item 16)	S1-02321573000	S1-02321573000	S1-02321574000	S1-02322442000	S1-02321574000
16	Connector, Field	S1-02531890001	S1-02531890001	S1-02531890001	S1-02531890001	S1-02531890001
17*	Grommet, 7/8"	S1-02813205000	S1-02813205000	S1-02813205000	S1-02813205000	S1-02813205000
18*	Grommet, 3/8"	S1-02813209000	S1-02813209000	S1-02813209000	S1-02813209000	S1-02813209000
19	Gasket, Drain Pan (3 Req'd)	S1-02816402000	S1-02816402000	S1-02816402000	S1-02816402000	S1-02816402000
20*	Harness, Wiring	S1-02544095000	S1-02544095000	S1-02544095000	S1-02544095000	S1-02544095000
21*	Wiring Diagram	661691	661691	661691	661691	661691
22*	Fastener, Clip (2 Req'd)	S1-02131402000	S1-02131402000	S1-02131402000	S1-02131402000	S1-02131402000

<

**NOTE:** \*Not Shown  
 New replacement parts shown in **bold** face type at the first printing of parts list dated 1/13.  
 Major components and suggested stocking items are shown with shaded item number.  
 "<" Across from row indicates a change in that row.  
 --- Not applicable to specified model.

**TO ORDER AUTHORIZED FACTORY REPLACEMENT PARTS** - Contact your Source1 HVAC Parts Distributor or visit our website at [www.Source1Parts.com](http://www.Source1Parts.com) for a Distributor and Dealer listing.