



www.Source1Parts.com

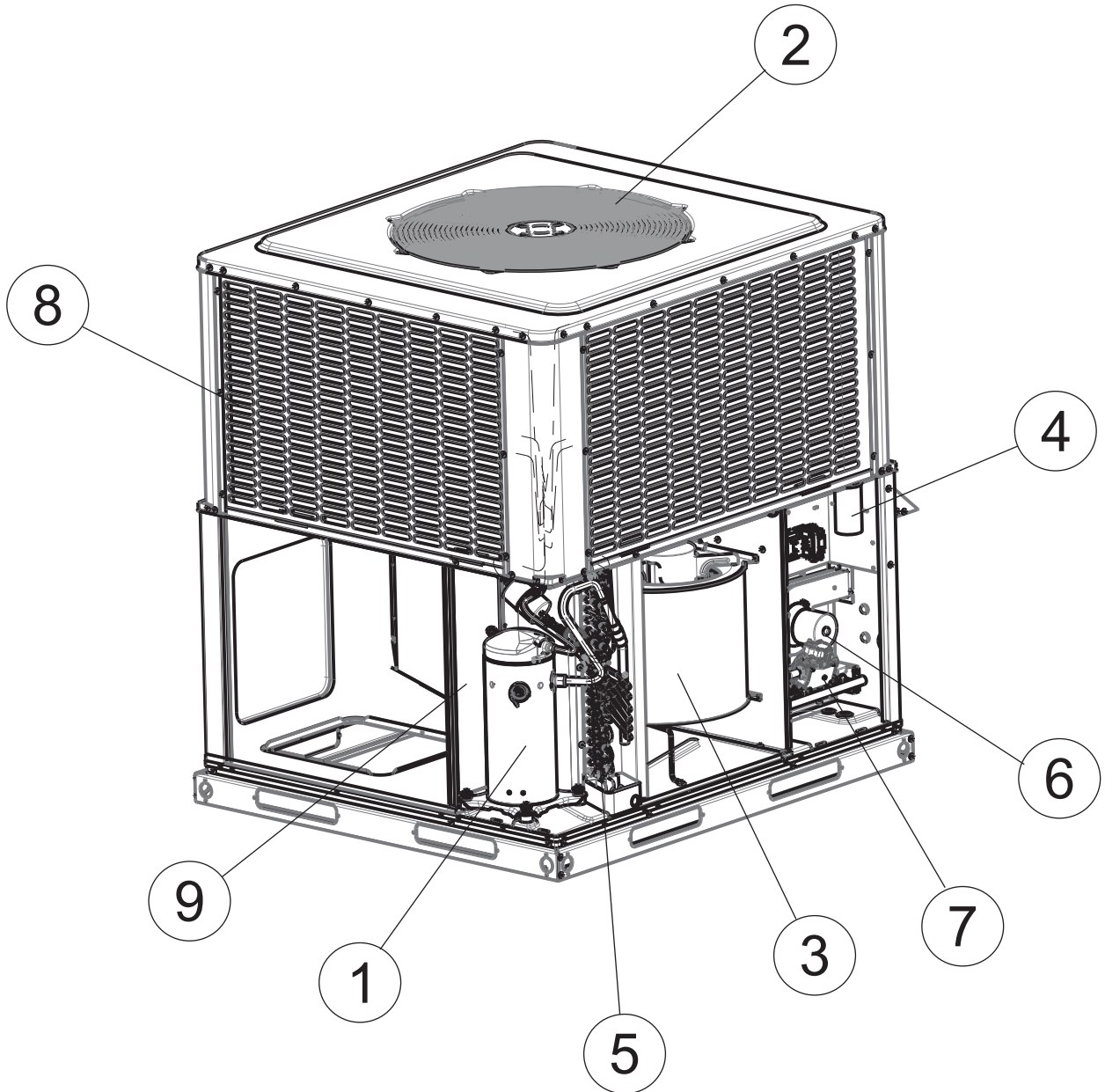
# PCG4 SERIES - 14 SEER 3 PHASE SINGLE PACKAGED GAS/ELECTRIC AIR CONDITIONER (R-410A, STYLE A)

HVAC SERVICE PARTS

Supersedes:035-24575-001 Rev. C (1116)

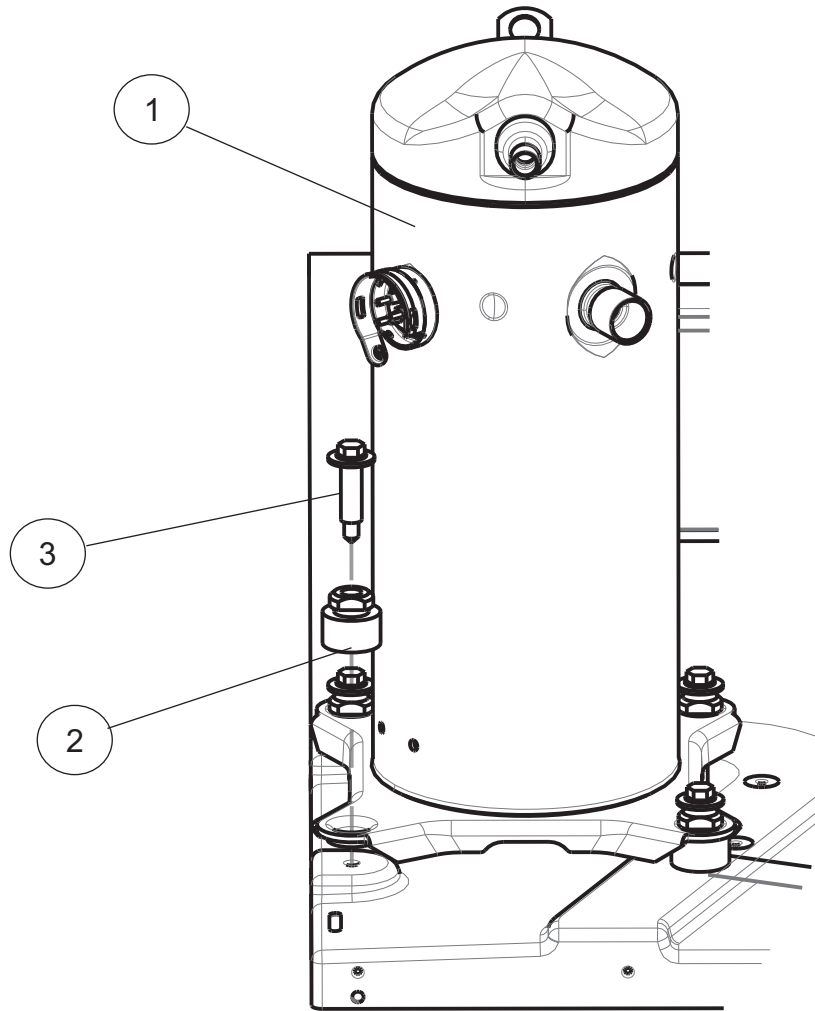
035-24575-001 Rev. D (0717)

1 of 28



## Gas/Electric Air Conditioner Residential Packaged \_Top Level<

Section	Description	Pages
1	Compressor Assembly	2,3
2	Fan Assembly	4,5
3	Indoor Blower Assembly	6,7
4	Electric Box Assembly	8,9,10,11
5	Condenser, Evaporator Coil Assembly	12,13,14
6	Heat Section	14,15,16,17
7	Burner Assembly	17,18,19
8	Outside Sheet Metal Parts	20,21,22,23,24
9	Inside Sheet Metal Parts	24,25,26,27
10	Misc.	27



Compressor Section \_ Figure 1

ITEM	FIG	DESCRIPTION	PCG4A360503X1A	PCG4A360753X1A	PCG4A361003X1A
<b>Compressors</b>					
1	1	Compressor	S1-01504830007	S1-01504830007	S1-01504830007
2	1	Cushion Mount	S1-02809519000	S1-02809519000	S1-02809519000
3	1	Bolt, Compressor	S1-02117116000	S1-02117116000	S1-02117116000
4	*	Harness, Compressor	S1-02547314000	S1-02547314000	S1-02547314000

ITEM	FIG	DESCRIPTION	PCG4A360504X1A	PCG4A360754X1A	PCG4A361004X1A
<b>Compressors</b>					
1	1	Compressor	S1-01504835007	S1-01504835007	S1-01504835007
2	1	Cushion Mount	S1-02809519000	S1-02809519000	S1-02809519000
3	1	Bolt, Compressor	S1-02117116000	S1-02117116000	S1-02117116000
4	*	Harness, Compressor	S1-02527140000	S1-02527140000	S1-02527140000

**NOTE:** \*Not Shown  
 New replacement parts shown in **bold** face type at the first printing of parts list dated 7/17.  
 Major components and suggested stocking items are shown with shaded item number.  
 "<" Across from row indicates a change in that row, changed part numbers in red.  
 --- Not applicable to specified model.



ITEM	FIG	DESCRIPTION	PCG4A420753X1A	PCG4A421003X1A	
<b>Compressors</b>					
1	1	Compressor	S1-01504456004	S1-01504456004	
2	1	Cushion Mount	S1-02809519000	S1-02809519000	
3	1	Bolt, Compressor	S1-02117116000	S1-02117116000	
4	*	Harness, Compressor	S1-02547313000	S1-02547313000	

ITEM	FIG	DESCRIPTION	PCG4B480653X1A	PCG4B481003X1A	PCG4B481253X1A
<b>Compressors</b>					
1	1	Compressor	S1-01503943004	S1-01503943004	S1-01503943004
2	1	Cushion Mount	S1-02809519000	S1-02809519000	S1-02809519000
3	1	Bolt, Compressor	S1-02117116000	S1-02117116000	S1-02117116000
4	*	Harness, Compressor	S1-02547313000	S1-02547313000	S1-02547313000

ITEM	FIG	DESCRIPTION	PCG4B480654X1A	PCG4B481004X1A	PCG4B481254X1A
<b>Compressors</b>					
1	1	Compressor	S1-01503944004	S1-01503944004	S1-01503944004
2	1	Cushion Mount	S1-02809519000	S1-02809519000	S1-02809519000
3	1	Bolt, Compressor	S1-02117116000	S1-02117116000	S1-02117116000
4	*	Harness, Compressor	S1-02547313000	S1-02547313000	S1-02547313000

ITEM	FIG	DESCRIPTION	PCG4B600653X1A	PCG4B601003X1A	
<b>Compressors</b>					
1	1	Compressor	S1-01504619004	S1-01504615904	
2	1	Cushion Mount	S1-02809519000	S1-02809519000	
3	1	Bolt, Compressor	S1-02117116000	S1-02117116000	
4	*	Harness, Compressor	S1-02547313000	S1-02547313000	

ITEM	FIG	DESCRIPTION	PCG4B600654X1A	PCG4B601004X1A	PCG4B601254X1A
<b>Compressors</b>					
1	1	Compressor	S1-01504621004	S1-01504621004	S1-01504621004
2	1	Cushion Mount	S1-02809519000	S1-02809519000	S1-02809519000
3	1	Bolt, Compressor	S1-02117116000	S1-02117116000	S1-02117116000
4	*	Harness, Compressor	S1-02547313000	S1-02547313000	S1-02547313000

**NOTE:** \*Not Shown

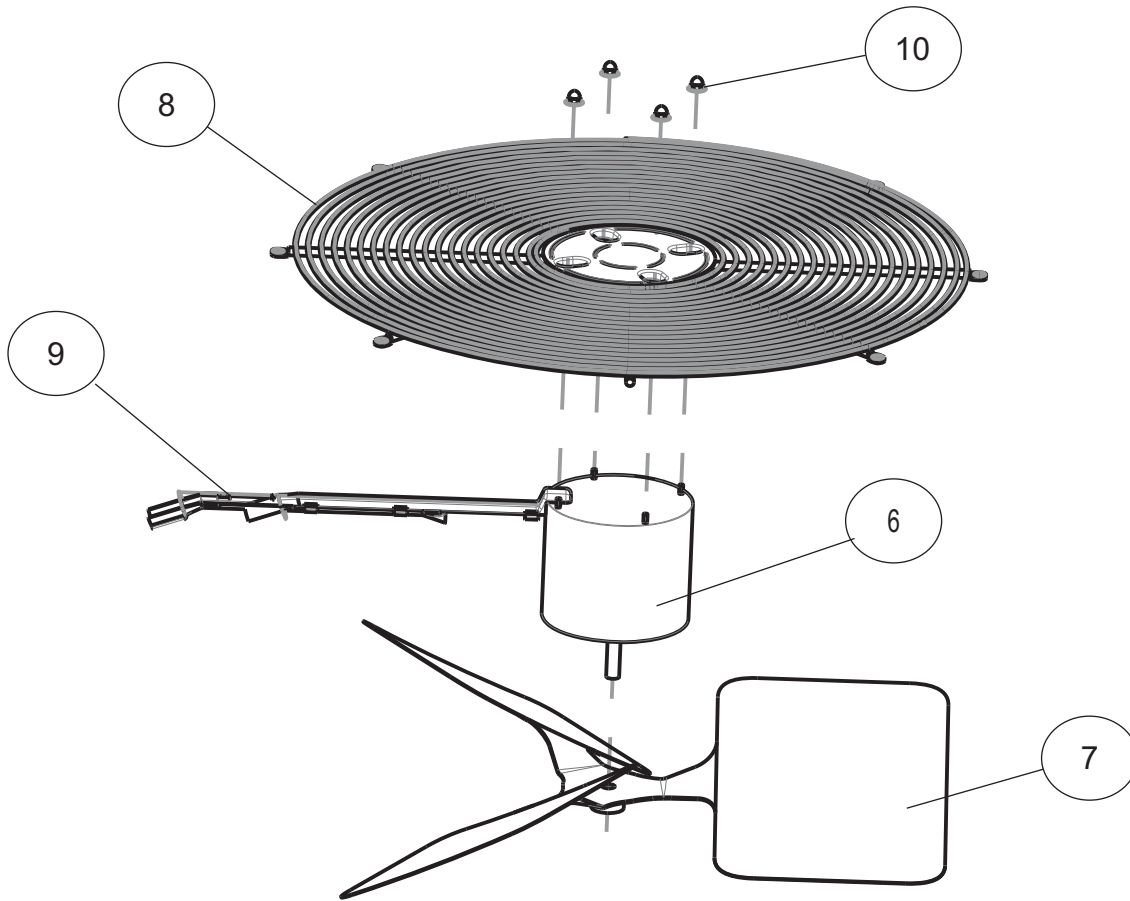
New replacement parts shown in **bold** face type at the first printing of parts list dated 7/17.

Major components and suggested stocking items are shown with shaded item number.

"<" Across from row indicates a change in that row, changed part numbers in red.

--- Not applicable to specified model.





Fan Assembly \_ Figure 2

ITEM	FIG	DESCRIPTION	PCG4A360503X1A	PCG4A360753X1A	PCG4A361003X1A
<b>Condenser Fan Motor &amp; Air Moving Components</b>					
6	2	Motor, Fan	S1-02436215000	S1-02436215000	S1-02436215000
7	2	Blade, Fan	S1-02642434000	S1-02642434000	S1-02642434000
8	2	Guard, Fan	S1-02647770000	S1-02647770000	S1-02647770000
9	2	Wireway	S1-02816469000	S1-02816469000	S1-02816469000
10	2	Kit, Acorn Nut	S1-36390117700	S1-36390117700	S1-36390117700

ITEM	FIG	DESCRIPTION	PCG4A360504X1A	PCG4A360754X1A	PCG4A361004X1A
<b>Condenser Fan Motor &amp; Air Moving Components</b>					
6	2	Motor, Fan	S1-02436214000	S1-02436214000	S1-02436215400
7	2	Blade, Fan	S1-02642434000	S1-02642434000	S1-02642434000
8	2	Guard, Fan	S1-02647770000	S1-02647770000	S1-02647770000
9	2	Wireway	S1-02816469000	S1-02816469000	S1-02816469000
10	2	Kit, Acorn Nut	S1-36390117700	S1-36390117700	S1-36390117700

ITEM	FIG	DESCRIPTION	PCG4A420753X1A	PCG4A421003X1A	
<b>Condenser Fan Motor &amp; Air Moving Components</b>					
6	2	Motor, Fan	S1-02436215000	S1-02436215000	
7	2	Blade, Fan	S1-02642434000	S1-02642434000	
8	2	Guard, Fan	S1-02647770000	S1-02647770000	
9	2	Wireway	S1-02816469000	S1-02816469000	
10	2	Kit, Acorn Nut	S1-36390117700	S1-36390117700	

**NOTE:** \*Not Shown  
 New replacement parts shown in **bold** face type at the first printing of parts list dated 7/17.  
 Major components and suggested stocking items are shown with shaded item number.  
 "<" Across from row indicates a change in that row, changed part numbers in red.  
 --- Not applicable to specified model.



ITEM	FIG	DESCRIPTION	PCG4B480653X1A	PCG4B481003X1A	PCG4B481253X1A
<b>Condenser Fan Motor &amp; Air Moving Components</b>					
6	2	Motor, Fan	S1-02436216000	S1-02436216000	S1-02436216000
7	2	Blade, Fan	S1-02647782000	S1-02647782000	S1-02647782000
8	2	Guard, Fan	S1-02647771000	S1-02647771000	S1-02647771000
9	2	Wireway	S1-02816470000	S1-02816470000	S1-02816470000
10	2	Kit, Acorn Nut	S1-36390117700	S1-36390117700	S1-36390117700

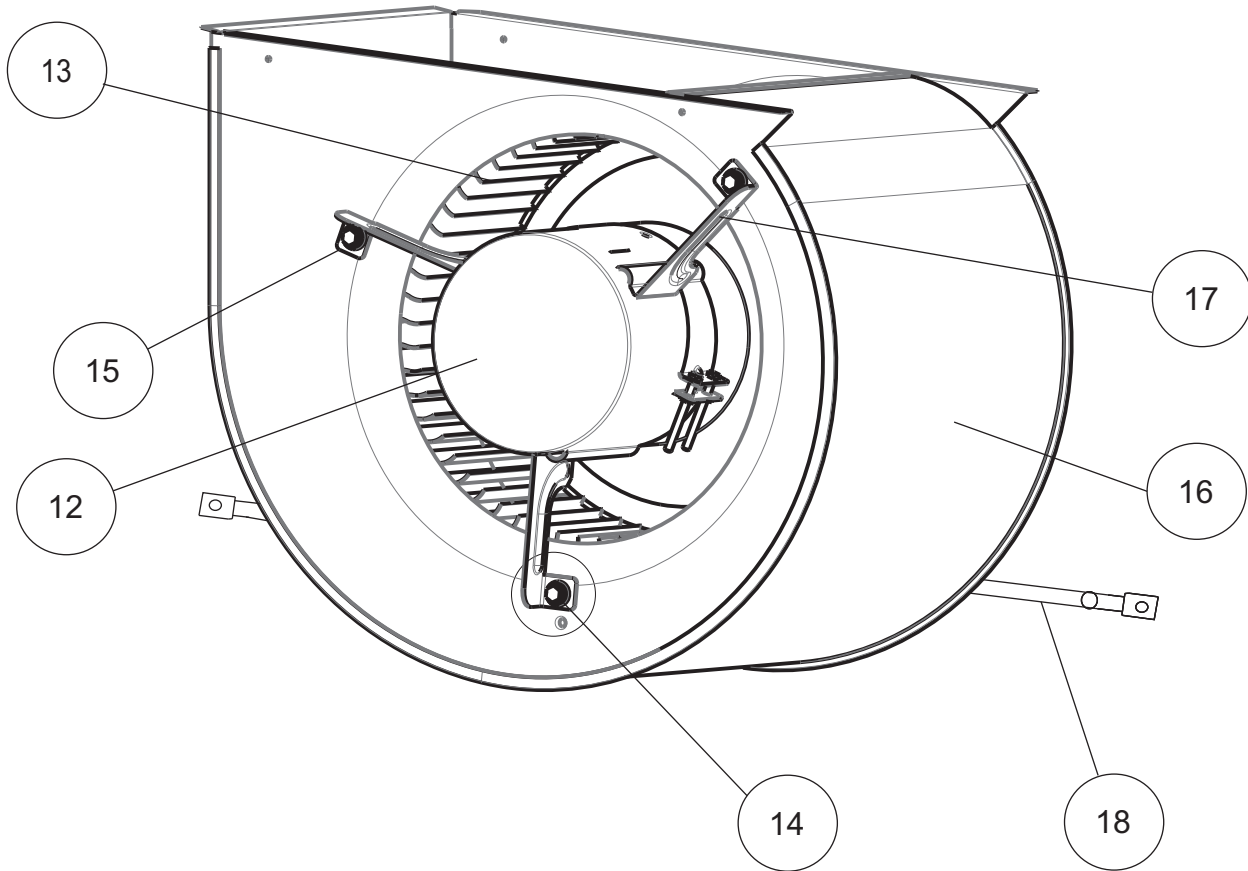
ITEM	FIG	DESCRIPTION	PCG4B480654X1A	PCG4B481004X1A	PCG4B481254X1A
<b>Condenser Fan Motor &amp; Air Moving Components</b>					
6	2	Motor, Fan	S1-02436215000	S1-02436215000	S1-02436215000
7	2	Blade, Fan	S1-02647782000	S1-02647782000	S1-02647782000
8	2	Guard, Fan	S1-02647771000	S1-02647771000	S1-02647771000
9	2	Wireway	S1-02816470000	S1-02816470000	S1-02816470000
10	2	Kit, Acorn Nut	S1-36390117700	S1-36390117700	S1-36390117700

ITEM	FIG	DESCRIPTION	PCG4B600653X1A	PCG4B601003X1A	
<b>Condenser Fan Motor &amp; Air Moving Components</b>					
6	2	Motor, Fan	S1-02436216000	S1-02436216000	
7	2	Blade, Fan	S1-02647782000	S1-02647782000	
8	2	Guard, Fan	S1-02647771000	S1-02647771000	
9	2	Wireway	S1-02816470000	S1-02816470000	
10	2	Kit, Acorn Nut	S1-36390117700	S1-36390117700	

ITEM	FIG	DESCRIPTION	PCG4B600654X1A	PCG4B601004X1A	PCG4B601254X1A
<b>Condenser Fan Motor &amp; Air Moving Components</b>					
6	2	Motor, Fan	S1-02436215000	S1-02436215000	S1-02436215000
7	2	Blade, Fan	S1-02647782000	S1-02647782000	S1-02647782000
8	2	Guard, Fan	S1-02647771000	S1-02647771000	S1-02647771000
9	2	Wireway	S1-02816470000	S1-02816470000	S1-02816470000
10	2	Kit, Acorn Nut	S1-36390117700	S1-36390117700	S1-36390117700

**NOTE:** \*Not Shown  
 New replacement parts shown in **bold** face type at the first printing of parts list dated 7/17.  
 Major components and suggested stocking items are shown with shaded item number.  
 "<" Across from row indicates a change in that row, changed part numbers in red.  
 --- Not applicable to specified model.





Indoor Blower Section \_ Figure 3

ITEM	FIG	DESCRIPTION	PCG4A360503X1A	PCG4A360753X1A	PCG4A361003X1A
<b>Indoor Blower Motor &amp; Air Moving Components</b>					
12	3	Motor, Blower, Programmed	S1-32436221457	S1-32436221458	S1-32436222459
13	3	Wheel, Blower	S1-02647767000	S1-02647767000	S1-02647767000
14	3	Grommet, Motor Mount (3 Req'd)	S1-02814740000	S1-02814740000	S1-02814740000
15	3	Ferrule, Motor Mount (3 Req'd)	S1-02320541000	S1-02320541000	S1-02320541000
16	3	Housing, Blower	S1-37327996002	S1-37327996002	S1-37327996002
17	3	Assembly, Motor Mount	S1-37319831002	S1-37319831002	S1-37319831002
18	3	Support, Blower	S1-02647774000	S1-02647774000	S1-02647774000

ITEM	FIG	DESCRIPTION	PCG4A360504X1A	PCG4A360754X1A	PCG4A361004X1A
<b>Indoor Blower Motor &amp; Air Moving Components</b>					
12	3	Motor, Blower, Programmed	S1-32436316531	S1-32436316532	S1-32436317533
13	3	Wheel, Blower	S1-02647767000	S1-02647767000	S1-02647767000
14	3	Grommet, Motor Mount (3 Req'd)	S1-02814740000	S1-02814740000	S1-02814740000
15	3	Ferrule, Motor Mount (3 Req'd)	S1-02320541000	S1-02320541000	S1-02320541000
16	3	Housing, Blower	S1-37327996002	S1-37327996002	S1-37327996002
17	3	Assembly, Motor Mount	S1-37319831002	S1-37319831002	S1-37319831002
18	3	Support, Blower	S1-02647774000	S1-02647774000	S1-02647774000

**NOTE:** \*Not Shown  
 New replacement parts shown in **bold** face type at the first printing of parts list dated 7/17.  
 Major components and suggested stocking items are shown with shaded item number.  
 "<" Across from row indicates a change in that row, changed part numbers in red.  
 --- Not applicable to specified model.



ITEM	FIG	DESCRIPTION	PCG4A420753X1A	PCG4A421003X1A	
<b>Indoor Blower Motor &amp; Air Moving Components</b>					
12	3	Motor, Blower, Programmed	S1-32436222460	S1-32436222461	
13	3	Wheel, Blower	S1-02647767000	S1-02647767000	
14	3	Grommet, Motor Mount (3 Req'd)	S1-02814740000	S1-02814740000	
15	3	Ferrule, Motor Mount (3 Req'd)	S1-02320541000	S1-02320541000	
16	3	Housing, Blower	S1-37327996002	S1-37327996002	
17	3	Assembly, Motor Mount	S1-37319831002	S1-37319831002	
18	3	Support, Blower	S1-02647774000	S1-02647774000	

ITEM	FIG	DESCRIPTION	PCG4B480653X1A	PCG4B481003X1A	PCG4B481253X1A
<b>Indoor Blower Motor &amp; Air Moving Components</b>					
12	3	Motor, Blower, Programmed	S1-32436222462	S1-32436222463	S1-32436222464
13	3	Wheel, Blower	S1-02647767000	S1-02647767000	S1-02647767000
14	3	Grommet, Motor Mount (3 Req'd)	S1-02814740000	S1-02814740000	S1-02814740000
15	3	Ferrule, Motor Mount (3 Req'd)	S1-02320541000	S1-02320541000	S1-02320541000
16	3	Housing, Blower	S1-37327996002	S1-37327996002	S1-37327996002
17	3	Assembly, Motor Mount	S1-37319831002	S1-37319831002	S1-37319831002
18	3	Support, Blower	S1-02647774000	S1-02647774000	S1-02647774000

ITEM	FIG	DESCRIPTION	PCG4B480654X1A	PCG4B481004X1A	PCG4B481254X1A
<b>Indoor Blower Motor &amp; Air Moving Components</b>					
12	3	Motor, Blower, Programmed	S1-32436317534	S1-32436317535	S1-32436317536
13	3	Wheel, Blower	S1-02647767000	S1-02647767000	S1-02647767000
14	3	Grommet, Motor Mount (3 Req'd)	S1-02814740000	S1-02814740000	S1-02814740000
15	3	Ferrule, Motor Mount (3 Req'd)	S1-02320541000	S1-02320541000	S1-02320541000
16	3	Housing, Blower	S1-37327996002	S1-37327996002	S1-37327996002
17	3	Assembly, Motor Mount	S1-37319831002	S1-37319831002	S1-37319831002
18	3	Support, Blower	S1-02647774000	S1-02647774000	S1-02647774000

ITEM	FIG	DESCRIPTION	PCG4B600653X1A	PCG4B601003X1A	
<b>Indoor Blower Motor &amp; Air Moving Components</b>					
12	3	Motor, Blower, Programmed	S1-32436223465	S1-32436223466	
13	3	Wheel, Blower	S1-02647767000	S1-02647767000	
14	3	Grommet, Motor Mount (3 Req'd)	S1-02814740000	S1-02814740000	
15	3	Ferrule, Motor Mount (3 Req'd)	S1-02320541000	S1-02320541000	
16	3	Housing, Blower	S1-37327996002	S1-37327996002	
17	3	Assembly, Motor Mount	S1-37319831002	S1-37319831002	
18	3	Support, Blower	S1-02647774000	S1-02647774000	

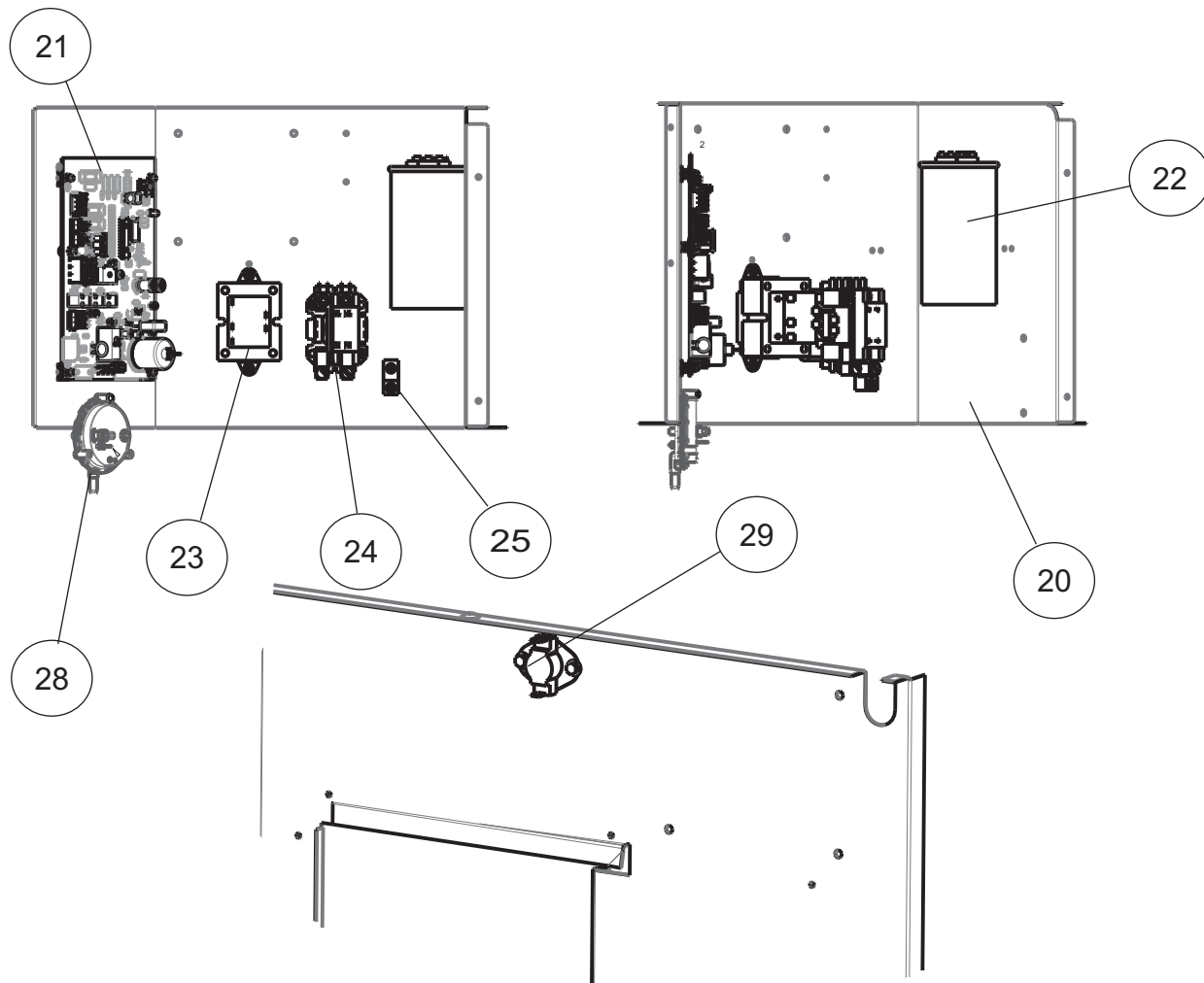
ITEM	FIG	DESCRIPTION	PCG4B600654X1A	PCG4B601004X1A	PCG4B601254X1A
<b>Indoor Blower Motor &amp; Air Moving Components</b>					
12	3	Motor, Blower, Programmed	S1-32436317537	S1-32436317538	S1-32436317539
13	3	Wheel, Blower	S1-02647767000	S1-02647767000	S1-02647767000
14	3	Grommet, Motor Mount (3 Req'd)	S1-02814740000	S1-02814740000	S1-02814740000
15	3	Ferrule, Motor Mount (3 Req'd)	S1-02320541000	S1-02320541000	S1-02320541000
16	3	Housing, Blower	S1-37327996002	S1-37327996002	S1-37327996002
17	3	Assembly, Motor Mount	S1-37319831002	S1-37319831002	S1-37319831002
18	3	Support, Blower	S1-02647774000	S1-02647774000	S1-02647774000

**NOTE:** \*Not ShownNew replacement parts shown in **bold** face type at the first printing of parts list dated 7/17.

Major components and suggested stocking items are shown with shaded item number.

"←" Across from row indicates a change in that row, changed part numbers in red.

--- Not applicable to specified model.



**Electric Box \_ Section 4**

ITEM	FIG	DESCRIPTION	PCG4A360503X1A	PCG4A360753X1A	PCG4A361003X1A
<b>Electric Box</b>					
20	4	Panel, Control, Gas	S1-07339389001	S1-07339389001	S1-07339389001
21	4	Board, Control	S1-03103482000	S1-03103482000	S1-03103482000
22	4	Capacitor, Run	S1-02420043700	S1-02420043700	S1-02420043700
23	4	Transformer	S1-02525973700	S1-02525973700	S1-02525973700
24	4	Contactor	S1-02435803000	S1-02435803000	S1-02435803000
25	4	Lug, Electrical	S1-02521798000	S1-02521798000	S1-02521798000
26	4				
27	4				
28	4	Switch, Pressure	S1-02436217000	S1-02436217000	S1-02436217000
29	4	Switch, Limit, Auto Reset	S1-02547176000	S1-02547176000	S1-02547176000
30	*	Harness, Main Wiring	S1-02547174000	S1-02547174000	S1-02547174000
31	*	Diagram, Wiring	5146412	5146412	5146412

**NOTE:** \*Not Shown  
 New replacement parts shown in **bold** face type at the first printing of parts list dated 7/17.  
 Major components and suggested stocking items are shown with shaded item number.  
 "<" Across from row indicates a change in that row, changed part numbers in red.  
 --- Not applicable to specified model.



ITEM	FIG	DESCRIPTION	PCG4A360504X1A	PCG4A360754X1A	PCG4A361004X1A
<b>Electric Box</b>					
20	4	Panel, Control, Gas	S1-07339389001	S1-07339389001	S1-07339389001
21	4	Board, Control	S1-03103482000	S1-03103482000	S1-03103482000
22	4	Capacitor, Run	S1-02420062700	S1-02420062700	S1-02420062700
23	4	Transformer, 460/24V	S1-02525974700	S1-02525974700	S1-02525974700
24	4	Contactor	S1-02535803000	S1-02535803000	S1-02535803000
25	4	Lug, Electrical	S1-02521798000	S1-02521798000	S1-02521798000
26	*	Transformer, 480/120V	S1-02527137000	S1-02527137000	S1-02527137000
27	*	Harness, Wiring, 460/120V	S1-02527138000	S1-02527138000	S1-02527138000
28	4	Switch, Pressure	S1-02436217000	S1-02436217000	S1-02436217000
29	4	Switch, Limit, Auto Reset	S1-02547176000	S1-02547176000	S1-02547176000
30	*	Harness, Main Wiring	S1-02547174000	S1-02547174000	S1-02547174000
31	*	Diagram, Wiring	5155330	5155330	5155330
32	*	Relay, 120V	S1-02436318000	S1-02436318000	S1-02436318000

ITEM	FIG	DESCRIPTION	PCG4A420753X1A	PCG4A421003X1A	
<b>Electric Box</b>					
20	4	Panel, Control, Gas	S1-07339389001	S1-07339389001	
21	4	Board, Control	S1-03103482000	S1-03103482000	
22	4	Capacitor, Run	S1-02420043700	S1-02420043700	
23	4	Transformer	S1-02525973700	S1-02525973700	
24	4	Contactor	S1-02435803000	S1-02435803000	
25	4	Lug, Electrical	S1-02521798000	S1-02521798000	
26					
27					
28	4	Switch, Pressure	S1-02436217000	S1-02436217000	
29	4	Switch, Limit, Auto Reset	S1-02547176000	S1-02547176000	
30	*	Harness, Main Wiring	S1-02547174000	S1-02547174000	
31	*	Diagram, Wiring	5146412	5146412	

E

**NOTE:** \*Not Shown  
 New replacement parts shown in **bold** face type at the first printing of parts list dated 7/17.  
 Major components and suggested stocking items are shown with shaded item number.  
 "<" Across from row indicates a change in that row, changed part numbers in red.  
 --- Not applicable to specified model.



ITEM	FIG	DESCRIPTION	PCG4A420753X1A	PCG4A421003X1A	
<b>Electric Box</b>					
20	4	Panel, Control, Gas	S1-07339389001	S1-07339389001	
21	4	Board, Control	S1-03103482000	S1-03103482000	
22	4	Capacitor, Run	S1-02420043700	S1-02420043700	
23	4	Transformer	S1-02525973700	S1-02525973700	
24	4	Contactactor	S1-02435803000	S1-02435803000	
25	4	Lug, Electrical	S1-02521798000	S1-02521798000	
26					
27					
28	4	Switch, Pressure	S1-02436217000	S1-02436217000	
29	4	Switch, Limit, Auto Reset	S1-02547176000	S1-02547176000	
30	*	Harness, Main Wiring	S1-02547174000	S1-02547174000	
31	*	Diagram, Wiring	5146412	5146412	

ITEM	FIG	DESCRIPTION	PCG4B480653X1A	PCG4B481003X1A	PCG4B481253X1A
<b>Electric Box</b>					
20	4	Panel, Control, Gas	S1-07339389001	S1-07339389001	S1-07339389001
21	4	Board, Control	S1-03103482000	S1-03103482000	S1-03103482000
22	4	Capacitor, Run	S1-02435813000	S1-02435813000	S1-02435813000
23	4	Transformer	S1-02525973700	S1-02525973700	S1-02525973700
24	4	Contactactor	S1-02435803000	S1-02435803000	S1-02435803000
25	4	Lug, Electrical	S1-02521798000	S1-02521798000	S1-02521798000
26					
27					
28	4	Switch, Pressure	S1-02436217000	S1-02436217000	S1-02436217000
29	4	Switch, Limit, Auto Reset	S1-02547175000	S1-02547175000	S1-02547175000
30	*	Harness, Main Wiring	S1-02547174000	S1-02547174000	S1-02547174000
31	*	Diagram, Wiring	5146412	5146412	5146412

ITEM	FIG	DESCRIPTION	PCG4B480654X1A	PCG4B481004X1A	PCG4B481254X1A
<b>Electric Box</b>					
20	4	Panel, Control, Gas	S1-07339389001	S1-07339389001	S1-07339389001
21	4	Board, Control	S1-03103482000	S1-03103482000	S1-03103482000
22	4	Capacitor, Run	S1-02435813000	S1-02435813000	S1-02435813000
23	4	Transformer, 460/24V	S1-02525974700	S1-02525974700	S1-02525974700
24	4	Contactactor	S1-02435803000	S1-02435803000	S1-02435803000
25	4	Lug, Electrical	S1-02521798000	S1-02521798000	S1-02521798000
26	4	Transformer, 480/120V	S1-02527137000	S1-02527137000	S1-02527137000
27	*	Harness, Wiring, 460/120V	S1-02527138000	S1-02527138000	S1-02527138000
28	4	Switch, Pressure	S1-02436217000	S1-02436217000	S1-02436217000
29	4	Switch, Limit, Auto Reset	S1-02547175000	S1-02547175000	S1-02547175000
30	*	Harness, Main Wiring	S1-02547174000	S1-02547174000	S1-02547174000
31	*	Diagram, Wiring	5155330	5155330	5155330
32	*	Relay, 120V	S1-02436318000	S1-02436318000	S1-02436318000

**NOTE:** \*Not Shown

New replacement parts shown in **bold** face type at the first printing of parts list dated 7/17.

Major components and suggested stocking items are shown with shaded item number.

"<" Across from row indicates a change in that row, changed part numbers in red.

--- Not applicable to specified model.

ITEM	FIG	DESCRIPTION	PCG4B600653X1A	PCG4B601003X1A	
<b>Electric Box</b>					
20	4	Panel, Control, Gas	S1-07339389001	S1-07339389001	
21	4	Board, Control	S1-03103482000	S1-03103482000	
22	4	Capacitor, Run	S1-02436218000	S1-02436218000	
23	4	Transformer	S1-02525973700	S1-02525973700	
24	4	Contactora	S1-02435803000	S1-02435803000	
25	4	Lug, Electrical	S1-02521798000	S1-02521798000	
26					
27					
28	4	Switch, Pressure	S1-02436217000	S1-02436217000	
29	4	Switch, Limit, Auto Reset	S1-02547175000	S1-02547175000	
30	*	Harness, Main Wiring	S1-02547174000	S1-02547174000	
31	*	Diagram, Wiring	5146412	5146412	

ITEM	FIG	DESCRIPTION	PCG4B600654X1A	PCG4B601004X1A	PCG4B601254X1A
<b>Electric Box</b>					
20	4	Panel, Control, Gas	S1-07339389001	S1-07339389001	S1-07339389001
21	4	Board, Control	S1-03103482000	S1-03103482000	S1-03103482000
22	4	Capacitor, Run	S1-02435813000	S1-02435813000	S1-02435813000
23	4	Transformer	S1-02525974700	S1-02525974700	S1-02525974700
24	4	Contactora	S1-02435803000	S1-02435803000	S1-02435803000
25	4	Lug, Electrical	S1-02521798000	S1-02521798000	S1-02521798000
26	*	Transformer, 480/120V	S1-02527137000	S1-02527137000	S1-02527137000
27	*	Harness, Wiring, 460/120V	S1-02527138000	S1-02527138000	S1-02527138000
28	4	Switch, Pressure	S1-02436217000	S1-02436217000	S1-02436217000
29	4	Switch, Limit, Auto Reset	S1-02547175000	S1-02547175000	S1-02547175000
30	*	Harness, Main Wiring	S1-02547174000	S1-02547174000	S1-02547174000
31	*	Diagram, Wiring	5155330	5155330	5155330
32	*	Relay, 120V	S1-02436318000	S1-02436318000	S1-02436318000

**NOTE:** \*Not Shown

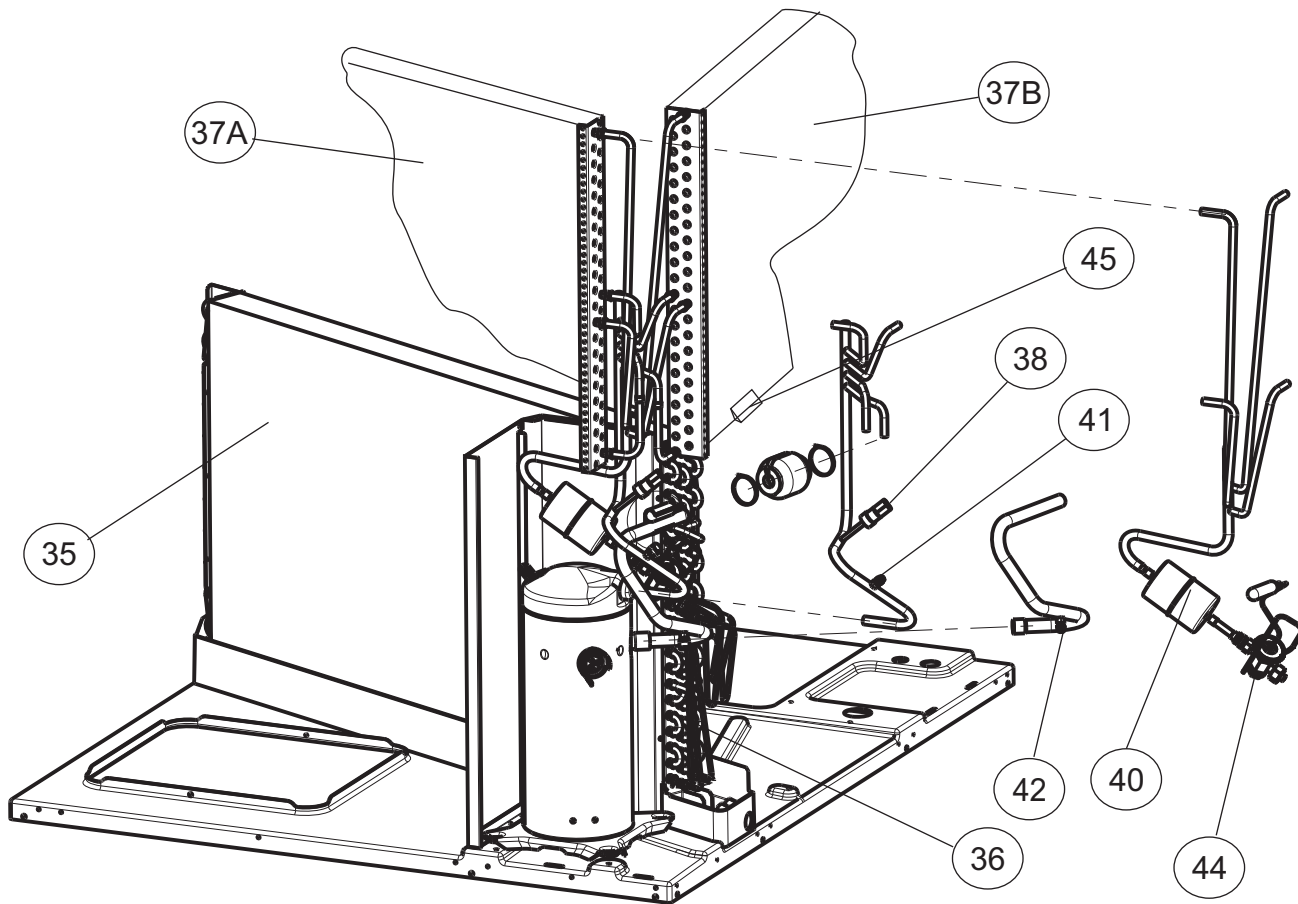
New replacement parts shown in **bold** face type at the first printing of parts list dated 7/17.

Major components and suggested stocking items are shown with shaded item number.

"<" Across from row indicates a change in that row, changed part numbers in red.

--- Not applicable to specified model.





Evaporator, Condenser Coil Section \_ Figure 5

ITEM	FIG	DESCRIPTION	PCG4A360753X1A	PCG4A360753X1A	PCG4A361003X1A
<b>Evaporator Coil, Condenser Coil, and Piping Components</b>					
35	5	Coil, Evaporator	S1-37339393002	S1-37339393002	S1-37339393002
36	5	Distributor, CU (Evap)	S1-02212974000	S1-02212974000	S1-02212974000
37A	5	Coil, Condenser, LH	S1-37339381001	S1-37339381001	S1-37339381001
37B	5	Coil, Condenser, RH	S1-37339381006	S1-37339381006	S1-37339381006
38	5	Switch, High Pressure	S1-02545253000	S1-02545253000	S1-02545253000
40	5	Filter Drier	S1-400437	S1-400437	S1-400437
41	5	Valve, Schraeder (2 Req'd)	S1-02202475700	S1-02202475700	S1-02202475700
42	5	Cap, Seal (2 Req'd)	S1-02310745000	S1-02310745000	S1-02310745000
43	*	Stub, Inlet	S1-02212972000	S1-02212972000	S1-02212972000
44	5	TXV, (Cond Coil)	<b>S1-02527177000</b>	<b>S1-02527177000</b>	<b>S1-02527177000</b>
45	5	Support, Coil (6 Req'd)	S1-02816472000	S1-02816472000	S1-02816472000

**NOTE:** \*Not Shown  
 New replacement parts shown in **bold** face type at the first printing of parts list dated 7/17.  
 Major components and suggested stocking items are shown with shaded item number.  
 "<" Across from row indicates a change in that row, changed part numbers in red.  
 --- Not applicable to specified model.

ITEM	FIG	DESCRIPTION	PCG4A360754X1A	PCG4A360754X1A	PCG4A361004X1A
<b>Evaporator Coil, Condenser Coil, and Piping Components</b>					
35	5	Coil, Evaporator	S1-37339393002	S1-37339393002	S1-37339393002
36	5	Distributor, CU (Evap)	S1-02212974000	S1-02212974000	S1-02212974000
37A	5	Coil, Condenser, LH	S1-37339381001	S1-37339381001	S1-37339381001
37B	5	Coil, Condenser, RH	S1-37339381006	S1-37339381006	S1-37339381006
38	5	Switch, High Pressure	S1-02545253000	S1-02545253000	S1-02545253000
40	5	Filter Drier	S1-400437	S1-400437	S1-400437
41	5	Valve, Schraeder (2 Req'd)	S1-02202475700	S1-02202475700	S1-02202475700
42	5	Cap, Seal (2 Req'd)	S1-02310745000	S1-02310745000	S1-02310745000
43	*	Stub, Inlet	S1-02212972000	S1-02212972000	S1-02212972000
44	5	TXV, (Cond Coil)	<b>S1-02527177000</b>	<b>S1-02527177000</b>	<b>S1-02527177000</b>
45	5	Support, Coil (6 Req'd)	S1-02816472000	S1-02816472000	S1-02816472000

ITEM	FIG	DESCRIPTION	PCG4A420753X1A	PCG4A421003X1A	
<b>Evaporator Coil, Condenser Coil, and Piping Components</b>					
35	5	Coil, Evaporator	S1-37339393002	S1-37339393002	
36	5	Distributor, CU (Evap)	S1-02212974000	S1-02212974000	
37A	5	Coil, Condenser, LH	S1-37339381002	S1-37339381002	
37B	5	Coil, Condenser, RH	S1-37339381007	S1-37339381007	
38	5	Switch, High Pressure	S1-02545253000	S1-02545253000	
40	5	Filter Drier	S1-400437	S1-400437	
41	5	Valve, Schraeder (2 Req'd)	S1-02202475700	S1-02202475700	
42	5	Cap, Seal (2 Req'd)	S1-02310745000	S1-02310745000	
43	*	Stub, Inlet	S1-02212972000	S1-02212972000	
44	5	TXV, (Cond Coil)	S1-02212969000	S1-02212969000	
45	5	Support, Coil (6 Req'd)	S1-02816472000	S1-02816472000	

ITEM	FIG	DESCRIPTION	PCG4B480653X1A	PCG4B481003X1A	PCG4B481253X1A
<b>Evaporator Coil, Condenser Coil, and Piping Components</b>					
35	5	Coil, Evaporator	S1-37339393003	S1-37339393003	S1-37339393003
36	5	Distributor, CU (Evap)	S1-02212974000	S1-02212974000	S1-02212974000
37A	5	Coil, Condenser, LH	S1-37339381003	S1-37339381003	S1-37339381003
37B	5	Coil, Condenser, RH	S1-37339381008	S1-37339381008	S1-37339381008
38	5	Switch, High Pressure	S1-02545253000	S1-02545253000	S1-02545253000
40	5	Filter Drier	S1-400437	S1-400437	S1-400437
41	5	Valve, Schraeder (2 Req'd)	S1-02202475700	S1-02202475700	S1-02202475700
42	5	Cap, Seal (2 Req'd)	S1-02310745000	S1-02310745000	S1-02310745000
43	*	Stub, Inlet	S1-02212972000	S1-02212972000	S1-02212972000
44	5	TXV, (Cond Coil)	S1-02212970000	S1-02212970000	S1-02212970000
45	5	Support, Coil (8 Req'd)	S1-02816472000	S1-02816472000	S1-02816472000

ITEM	FIG	DESCRIPTION	PCG4B480654X1A	PCG4B481004X1A	PCG4B481254X1A
<b>Evaporator Coil, Condenser Coil, and Piping Components</b>					
35	5	Coil, Evaporator	S1-37339393003	S1-37339393003	S1-37339393003
36	5	Distributor, CU (Evap)	S1-02212974000	S1-02212974000	S1-02212974000
37A	5	Coil, Condenser, LH	S1-37339381003	S1-37339381003	S1-37339381003
37B	5	Coil, Condenser, RH	S1-37339381008	S1-37339381008	S1-37339381008
38	5	Switch, High Pressure	S1-02545253000	S1-02545253000	S1-02545253000
40	5	Filter Drier	S1-400437	S1-400437	S1-400437
41	5	Valve, Schraeder (2 Req'd)	S1-02202475700	S1-02202475700	S1-02202475700
42	5	Cap, Seal (2 Req'd)	S1-02310745000	S1-02310745000	S1-02310745000
43	*	Stub, Inlet	S1-02212972000	S1-02212972000	S1-02212972000
44	5	TXV, (Cond Coil)	S1-02212970000	S1-02212970000	S1-02212970000
45	5	Support, Coil (8 Req'd)	S1-02816472000	S1-02816472000	S1-02816472000

**NOTE:** \*Not ShownNew replacement parts shown in **bold** face type at the first printing of parts list dated 7/17.

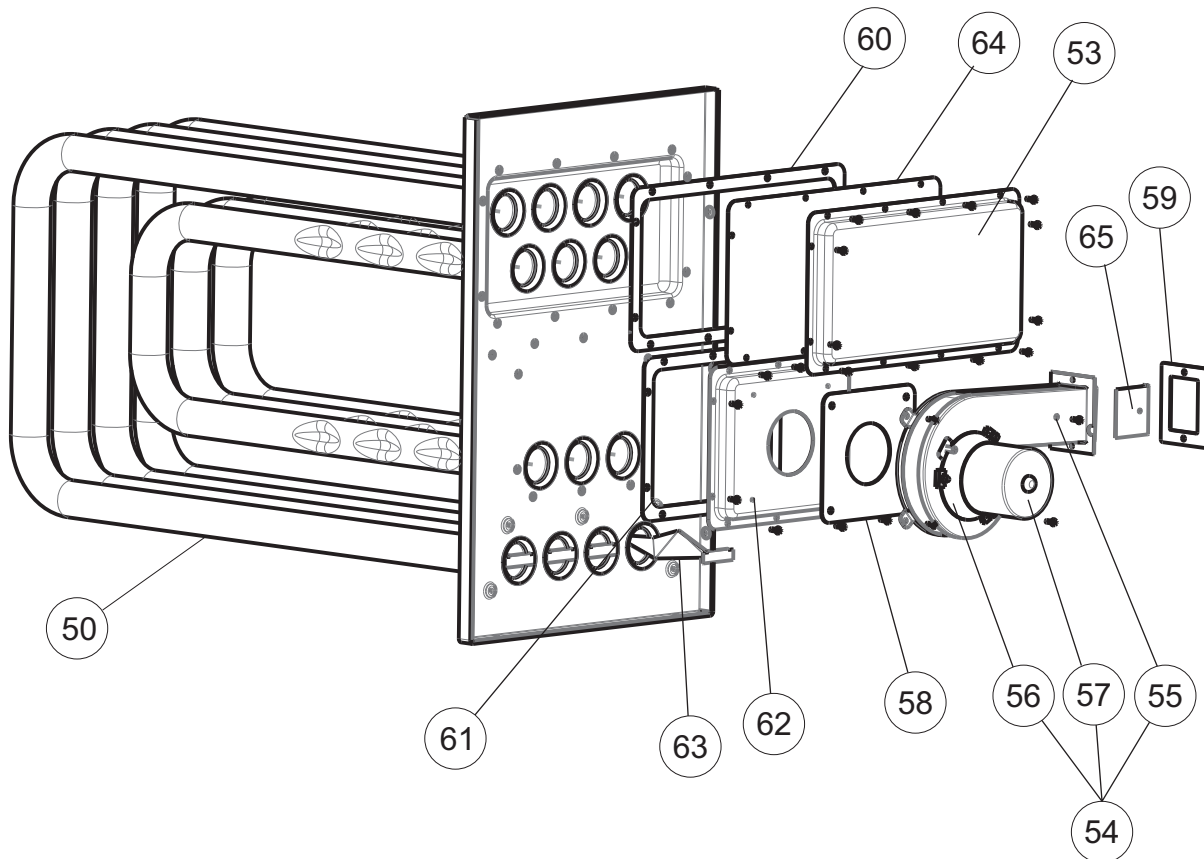
Major components and suggested stocking items are shown with shaded item number.

"←" Across from row indicates a change in that row, changed part numbers in red.

--- Not applicable to specified model.

ITEM	FIG	DESCRIPTION	PCG4B600653X1A	PCG4B601003X1A	
<b>Evaporator Coil, Condenser Coil, and Piping Components</b>					
35	5	Coil, Evaporator	S1-37339393003	S1-37339393003	
36	5	Distributor, CU (Evap)	S1-02212974000	S1-02212974000	
37A	5	Coil, Condenser, LH	S1-37339381005	S1-37339381005	
37B	5	Coil, Condenser, RH	S1-37339381010	S1-37339381010	
38	5	Switch, High Pressure	S1-02545253000	S1-02545253000	
40	5	Filter Drier	S1-400437	S1-400437	
41	5	Valve, Schraeder (2 Req'd)	S1-02202475700	S1-02202475700	
42	5	Cap, Seal (2 Req'd)	S1-02310745000	S1-02310745000	
43	*	Stub, Inlet	S1-02212972000	S1-02212972000	
44	5	TXV, (Cond Coil)	S1-02212971000	S1-02212971000	
45	5	Support, Coil (8 Req'd)	S1-02816472000	S1-02816472000	

ITEM	FIG	DESCRIPTION	PCG4B600654X1A	PCG4B601004X1A	PCG4B601254X1A
<b>Evaporator Coil, Condenser Coil, and Piping Components</b>					
35	5	Coil, Evaporator	S1-37339393003	S1-37339393003	S1-37339393003
36	5	Distributor, CU (Evap)	S1-02212974000	S1-02212974000	S1-02212974000
37A	5	Coil, Condenser, LH	S1-37339381005	S1-37339381005	S1-37339381005
37B	5	Coil, Condenser, RH	S1-37339381010	S1-37339381010	S1-37339381010
38	5	Switch, High Pressure	S1-02545253000	S1-02545253000	S1-02545253000
40	5	Filter Drier	S1-400437	S1-400437	S1-400437
41	5	Valve, Schraeder (2 Req'd)	S1-02202475700	S1-02202475700	S1-02202475700
42	5	Cap, Seal (2 Req'd)	S1-02310745000	S1-02310745000	S1-02310745000
43	*	Stub, Inlet	S1-02212972000	S1-02212972000	S1-02212972000
44	5	TXV, (Cond Coil)	S1-02212971000	S1-02212971000	S1-02212971000
45	5	Support, Coil (8 Req'd)	S1-02816472000	S1-02816472000	S1-02816472000



Heat Section \_ Figure 6<

ITEM	FIG	DESCRIPTION	PCG4A360503X1A	PCG4A360753X1A	PCG4A361003X1A
<b>Heating Section and Vent Blower Components</b>					
50	6	Heat Exchanger Assy	S1-37327997001	S1-37327997002	S1-37327997003
51					
53	6	Pan, Cover	S1-07339392002	S1-07339392002	S1-07339392002
54	6	Assy, Vent Blower (Includes 55-59)	S1-37327999001	S1-37327999001	S1-37327999001
55	6	Housing, Draft Inducer	S1-02647764000	S1-02647764000	S1-02647764000
56	6	Wheel, Vent Blower	S1-02647765000	S1-02647765000	S1-02647765000
57	6	Motor, Vent Blower	S1-02436210000	S1-02436210000	S1-02436210000
58	6	Gasket, Draft Inducer	S1-02816463000	S1-02816463000	S1-02816463000
59	6	Gasket, Draft Inducer, Outlet	S1-02816464000	S1-02816464000	S1-02816464000
60	6	Gasket, Draft Inducer Pan	S1-02816465000	S1-02816465000	S1-02816465000
61	6	Gasket, Cover Pan	S1-02816462000	S1-02816462000	S1-02816462000
62	6	Pan, Inducer	S1-07327987001	S1-07327987001	S1-07327987001
63	6	Screen, Lo-Nox	S1-02635452000	S1-02635452000	S1-02635452000
64	6	Panel, Heat Shield	S1-07339390001	S1-07339390001	S1-07339390001
65	6	Bracket, Flue Restrictor	S1-07339387005	S1-07339387004	S1-07339387003
66					

ITEM	FIG	DESCRIPTION	PCG4A360504X1A	PCG4A360754X1A	PCG4A361004X1A
<b>Heating Section and Vent Blower Components</b>					
50	6	Heat Exchanger Assy	S1-37327997001	S1-37327997002	S1-37327997003
51					
53	6	Pan, Cover	S1-07339392002	S1-07339392002	S1-07339392002
54	6	Assy, Vent Blower (Includes 55-59)	S1-37327999002	S1-37327999002	S1-37327999002
55	6	Housing, Draft Inducer	S1-02647764000	S1-02647764000	S1-02647764000
56	6	Wheel, Vent Blower	S1-02649679000	S1-02649679000	S1-02649679000
57	6	Motor, Vent Blower	S1-02436210000	S1-02436210000	S1-02436210000
58	6	Gasket, Draft Inducer	S1-02816463000	S1-02816463000	S1-02816463000
59	6	Gasket, Draft Inducer, Outlet	S1-02816464000	S1-02816464000	S1-02816464000
60	6	Gasket, Draft Inducer Pan	S1-02816465000	S1-02816465000	S1-02816465000
61	6	Gasket, Cover Pan	S1-02816462000	S1-02816462000	S1-02816462000
62	6	Pan, Inducer	S1-07327987001	S1-07327987001	S1-07327987001
63	6	Screen, Lo-Nox	S1-02635452000	S1-02635452000	S1-02635452000
64	6	Panel, Heat Shield	S1-07339390001	S1-07339390001	S1-07339390001
65	6	Bracket, Flue Restrictor	S1-07339387005	S1-07339387004	S1-07339387003
66					

ITEM	FIG	DESCRIPTION	PCG4A420753X1A	PCG4A421003X1A	
<b>Heating Section and Vent Blower Components</b>					
50	6	Heat Exchanger Assy	S1-37327997002	S1-37327997003	
51					
53	6	Pan, Cover	S1-07339392002	S1-07339392002	
54	6	Assy, Vent Blower (Includes 55-59)	S1-37327999001	S1-37327999001	
55	6	Housing, Draft Inducer	S1-02647764000	S1-02647764000	
56	6	Wheel, Vent Blower	S1-02647765000	S1-02647765000	
57	6	Motor, Vent Blower	S1-02436210000	S1-02436210000	
58	6	Gasket, Draft Inducer	S1-02816463000	S1-02816463000	
59	6	Gasket, Draft Inducer, Outlet	S1-02816464000	S1-02816464000	
60	6	Gasket, Draft Inducer Pan	S1-02816465000	S1-02816465000	
61	6	Gasket, Cover Pan	S1-02816462000	S1-02816462000	
62	6	Pan, Inducer	S1-07327987001	S1-07327987001	
63	6	Screen, Lo-Nox	S1-02635452000	S1-02635452000	
64	6	Panel, Heat Shield	S1-07339390001	S1-07339390001	
65	6	Bracket, Flue Restrictor	S1-07339387004	S1-07339387003	
66					

**NOTE:** \*Not Shown  
New replacement parts shown in **bold** face type at the first printing of parts list dated 7/17.  
Major components and suggested stocking items are shown with shaded item number.   
"←" Across from row indicates a change in that row, changed part numbers in red.  
--- Not applicable to specified model.

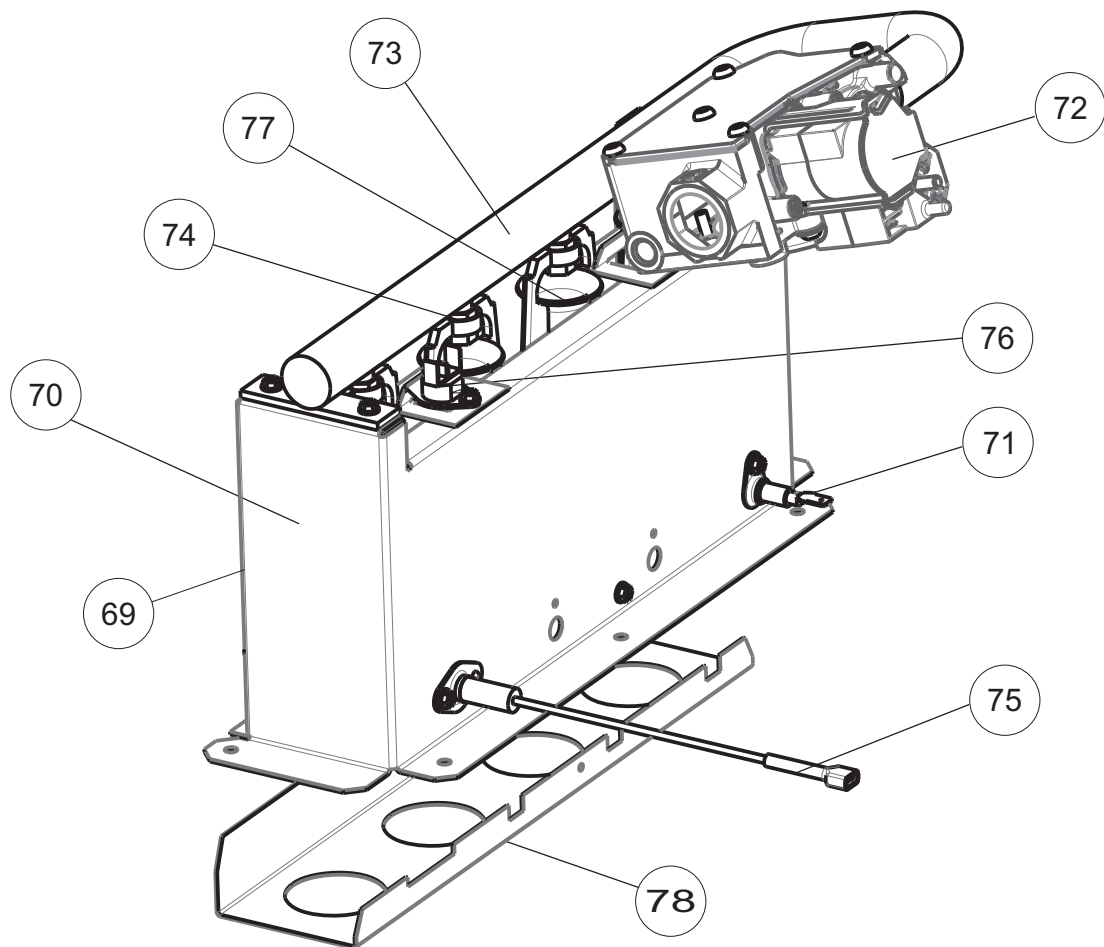
ITEM	FIG	DESCRIPTION	PCG4B480653X1A	PCG4B481003X1A	PCG4B481253X1A
<b>Heating Section and Vent Blower Components</b>					
50	6	Heat Exchanger Assy	S1-37327997004	S1-37327997005	S1-37327997006
51					
53	6	Pan, Cover	S1-07339392002	S1-07339392002	S1-07339392002
54	6	Assy, Vent Blower (Includes 55-59)	S1-37327999001	S1-37327999001	S1-37327999001
55	6	Housing, Draft Inducer	S1-02647764000	S1-02647764000	S1-02647764000
56	6	Wheel, Vent Blower	S1-02647765000	S1-02647765000	S1-02647765000
57	6	Motor, Vent Blower	S1-02436210000	S1-02436210000	S1-02436210000
58	6	Gasket, Draft Inducer	S1-02816463000	S1-02816463000	S1-02816463000
59	6	Gasket, Draft Inducer, Outlet	S1-02816464000	S1-02816464000	S1-02816464000
60	6	Gasket, Draft Inducer Pan	S1-02816465000	S1-02816465000	S1-02816465000
61	6	Gasket, Cover Pan	S1-02816462000	S1-02816462000	S1-02816462000
62	6	Pan, Inducer	S1-07327987001	S1-07327987001	S1-07327987001
63	6	Screen, Lo-Nox	S1-02635452000	S1-02635452000	S1-02635452000
64	6	Panel, Heat Shield	S1-07339390001	S1-07339390001	S1-07339390001
65	6	Bracket, Flue Restrictor	S1-07339387004	S1-07339387002	S1-07339387001
66					

ITEM	FIG	DESCRIPTION	PCG4B480654X1A	PCG4B481004X1A	PCG4B481254X1A
<b>Heating Section and Vent Blower Components</b>					
50	6	Heat Exchanger Assy	S1-37327997004	S1-37327997005	S1-37327997006
51					
53	6	Pan, Cover	S1-07339392002	S1-07339392002	S1-07339392002
54	6	Assy, Vent Blower (Includes 55-59)	S1-37327999002	S1-37327999002	S1-37327999002
55	6	Housing, Draft Inducer	S1-02647764000	S1-02647764000	S1-02647764000
56	6	Wheel, Vent Blower	S1-02647765000	S1-02647765000	S1-02647765000
57	6	Motor, Vent Blower	S1-02649679000	S1-02649679000	S1-02649679000
58	6	Gasket, Draft Inducer	S1-02816463000	S1-02816463000	S1-02816463000
59	6	Gasket, Draft Inducer, Outlet	S1-02816464000	S1-02816464000	S1-02816464000
60	6	Gasket, Draft Inducer Pan	S1-02816465000	S1-02816465000	S1-02816465000
61	6	Gasket, Cover Pan	S1-02816462000	S1-02816462000	S1-02816462000
62	6	Pan, Inducer	S1-07327987001	S1-07327987001	S1-07327987001
63	6	Screen, Lo-Nox	S1-02635452000	S1-02635452000	S1-02635452000
64	6	Panel, Heat Shield	S1-07339390001	S1-07339390001	S1-07339390001
65	6	Bracket, Flue Restrictor	S1-07339387004	S1-07339387002	S1-07339387001
66					

ITEM	FIG	DESCRIPTION	PCG4B600653X1A	PCG4B601003X1A	
<b>Heating Section and Vent Blower Components</b>					
50	6	Heat Exchanger Assy	S1-37327997004	S1-37327997005	
51					
53	6	Pan, Cover	S1-07339392002	S1-07339392002	
54	6	Assy, Vent Blower (Includes 55-59)	S1-37327999001	S1-37327999001	
55	6	Housing, Draft Inducer	S1-02647764000	S1-02647764000	
56	6	Wheel, Vent Blower	S1-02647765000	S1-02647765000	
57	6	Motor, Vent Blower	S1-02436210000	S1-02436210000	
58	6	Gasket, Draft Inducer	S1-02816463000	S1-02816463000	
59	6	Gasket, Draft Inducer, Outlet	S1-02816464000	S1-02816464000	
60	6	Gasket, Draft Inducer Pan	S1-02816465000	S1-02816465000	
61	6	Gasket, Cover Pan	S1-02816462000	S1-02816462000	
62	6	Pan, Inducer	S1-07327987001	S1-07327987001	
63	6	Screen, Lo-Nox	S1-02635452000	S1-02635452000	
64	6	Panel, Heat Shield	S1-07339390001	S1-07339390001	
65	6	Bracket, Flue Restrictor	S1-07339387004	S1-07339387002	
66					

ITEM	FIG	DESCRIPTION	PCG4B600654X1A	PCG4B601004X1A	PCG4B601254X1A
<b>Heating Section and Vent Blower Components</b>					
50	6	Heat Exchanger Assy	S1-37327997004	S1-37327997005	S1-37327997006
51					
53	6	Pan, Cover	S1-07339392002	S1-07339392002	S1-07339392002
54	6	Assy, Vent Blower (Includes 55-59)	S1-37327999002	S1-37327999002	S1-37327999002
55	6	Housing, Draft Inducer	S1-02647764000	S1-02647764000	S1-02647764000
56	6	Wheel, Vent Blower	S1-02647765000	S1-02647765000	S1-02647765000
57	6	Motor, Vent Blower	S1-02649679000	S1-02649679000	S1-02649679000
58	6	Gasket, Draft Inducer	S1-02816463000	S1-02816463000	S1-02816463000
59	6	Gasket, Draft Inducer, Outlet	S1-02816464000	S1-02816464000	S1-02816464000
60	6	Gasket, Draft Inducer Pan	S1-02816465000	S1-02816465000	S1-02816465000
61	6	Gasket, Cover Pan	S1-02816462000	S1-02816462000	S1-02816462000
62	6	Pan, Inducer	S1-07327987001	S1-07327987001	S1-07327987001
63	6	Screen, Lo-Nox	S1-02635452000	S1-02635452000	S1-02635452000
64	6	Panel, Heat Shield	S1-07339390001	S1-07339390001	S1-07339390001
65	6	Bracket, Flue Restrictor	S1-07339387004	S1-07339387002	S1-07339387001
66					

**NOTE:** \*Not Shown  
 New replacement parts shown in **bold** face type at the first printing of parts list dated 7/17.  
 Major components and suggested stocking items are shown with shaded item number.  
 "<" Across from row indicates a change in that row, changed part numbers in red.  
 --- Not applicable to specified model.



**Burner Section \_ Figure 7**

ITEM	FIG	DESCRIPTION	PCG4A360503X1A	PCG4A360753X1A	PCG4A361003X1A
<b>Burner Assembly</b>					
69	7	Support, Burner	S1-07339394001	S1-07339394001	S1-07339394001
70	7	Box, Burner	S1-07339370001	S1-07339370001	S1-07339370001
71	7	Flame, Sensor	S1-02537499000	S1-02537499000	S1-02537499000
72	7	Valve, Gas	S1-32544123000	S1-32544123000	S1-32544123000
73	7	Manifold, Gas (Includes Orifices)	S1-02926834000	S1-02926836000	S1-02926838000
74	7	Orifice, Gas	S1-02926851000	S1-02926851000	S1-02926851000
75	7	Igniter, Spark	S1-02547172000	S1-02547172000	S1-02547172000
76	7	Switch, Control Roll-out	S1-02541318000	S1-02541318000	S1-02541318000
77	7	Burner, Gas	S1-02922473000	S1-02922473000	S1-02922473000
78	7	Retainer, Lo-Nox	S1-07339384001	S1-07339384001	S1-07339384001

ITEM	FIG	DESCRIPTION	PCG4A360504X1A	PCG4A360754X1A	PCG4A361004X1A
<b>Burner Assembly</b>					
69	7	Support, Burner	S1-07339394001	S1-07339394001	S1-07339394001
70	7	Box, Burner	S1-07339370001	S1-07339370001	S1-07339370001
71	7	Flame, Sensor	S1-02537499000	S1-02537499000	S1-02537499000
72	7	Valve, Gas	S1-32544123000	S1-32544123000	S1-32544123000
73	7	Manifold, Gas (Includes Orifices)	S1-02926834000	S1-02926836000	S1-02926838000
74	7	Orifice, Gas	S1-02926851000	S1-02926851000	S1-02926851000
75	7	Igniter, Spark	S1-02547172000	S1-02547172000	S1-02547172000
76	7	Switch, Control Roll-out	S1-02541318000	S1-02541318000	S1-02541318000
77	7	Burner, Gas	S1-02922473000	S1-02922473000	S1-02922473000
78	7	Retainer, Lo-Nox	S1-07339384001	S1-07339384001	S1-07339384001

ITEM	FIG	DESCRIPTION	PCG4A420753X1A	PCG4A421003X1A	
<b>Burner Assembly</b>					
69	7	Support, Burner	S1-07339394001	S1-07339394001	
70	7	Box, Burner	S1-07339370001	S1-07339370001	
71	7	Flame, Sensor	S1-02537499000	S1-02537499000	
72	7	Valve, Gas	S1-32544123000	S1-32544123000	
73	7	Manifold, Gas (Includes Orifices)	S1-02926836000	S1-02926838000	
74	7	Orifice, Gas	S1-02926851000	S1-02926851000	
75	7	Igniter, Spark	S1-02547172000	S1-02547172000	
76	7	Switch, Control Roll-out	S1-02541318000	S1-02541318000	
77	7	Burner, Gas	S1-02922473000	S1-02922473000	
78	7	Retainer, Lo-Nox	S1-07339384001	S1-07339384001	

ITEM	FIG	DESCRIPTION	PCG4B480653X1A	PCG4B481003X1A	PCG4B481253X1A
<b>Burner Assembly</b>					
69	7	Support, Burner	S1-07339394001	S1-07339394001	S1-07339394001
70	7	Box, Burner	S1-07339370001	S1-07339370001	S1-07339370001
71	7	Flame, Sensor	S1-02537499000	S1-02537499000	S1-02537499000
72	7	Valve, Gas	S1-32544123000	S1-32544123000	S1-32544123000
73	7	Manifold, Gas (Includes Orifices)	S1-02926835000	S1-02926837000	S1-02926839000
74	7	Orifice, Gas	S1-02926854000	S1-02926854000	S1-02926854000
75	7	Igniter, Spark	S1-02547172000	S1-02547172000	S1-02547172000
76	7	Switch, Control Roll-out	S1-02541318000	S1-02541318000	S1-02541318000
77	7	Burner, Gas	S1-02922473000	S1-02922473000	S1-02922473000
78	7	Retainer, Lo-Nox	S1-07339384001	S1-07339384001	S1-07339384001

**NOTE:** \*Not Shown  
 New replacement parts shown in **bold** face type at the first printing of parts list dated 7/17.  
 Major components and suggested stocking items are shown with shaded item number.  
 "<" Across from row indicates a change in that row, changed part numbers in red.  
 --- Not applicable to specified model.

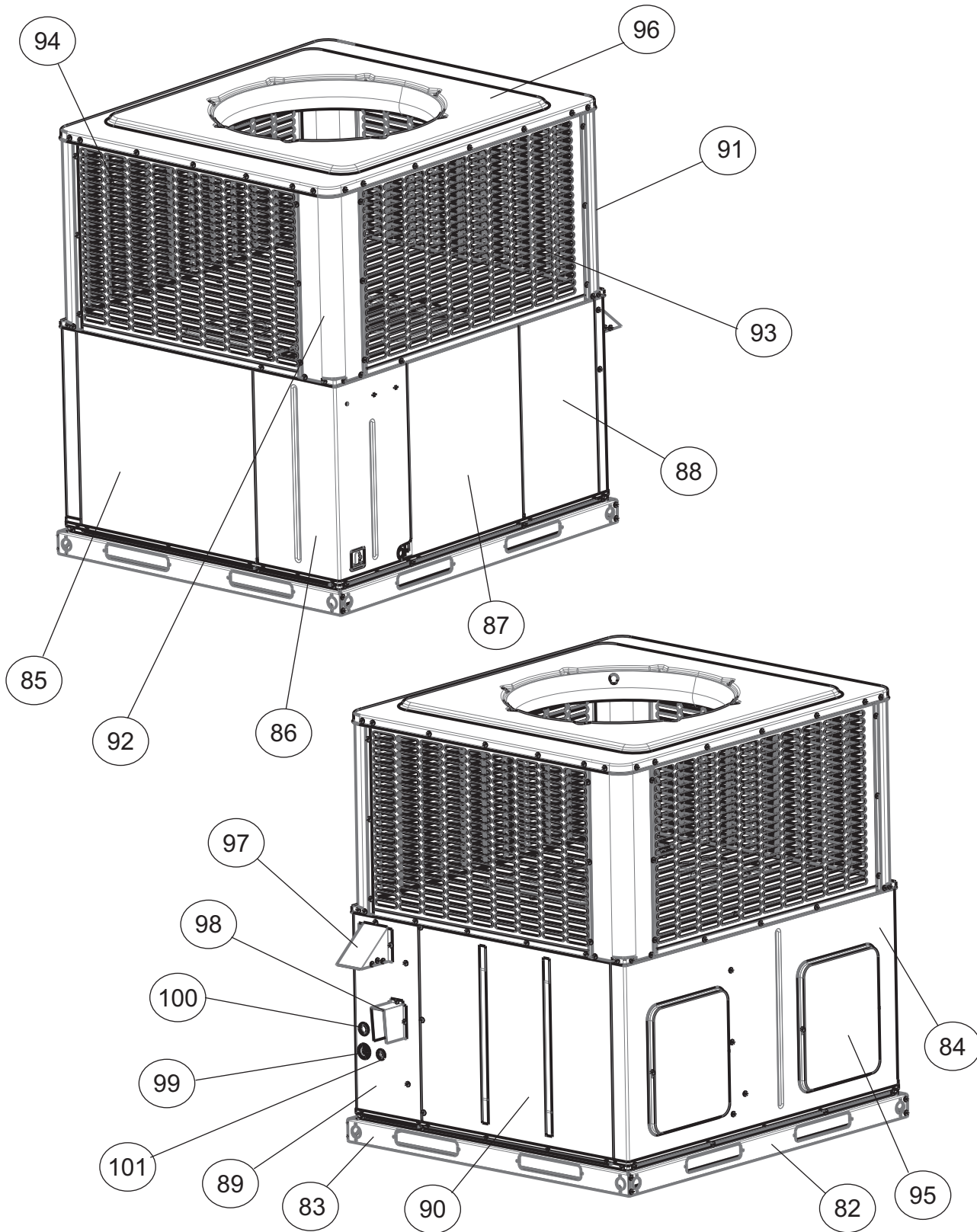
ITEM	FIG	DESCRIPTION	PCG4B480654X1A	PCG4B481004X1A	PCG4B481254X1A
<b>Burner Assembly</b>					
69	7	Support, Burner	S1-07339394001	S1-07339394001	S1-07339394001
70	7	Box, Burner	S1-07339370001	S1-07339370001	S1-07339370001
71	7	Flame, Sensor	S1-02537499000	S1-02537499000	S1-02537499000
72	7	Valve, Gas	S1-32544123000	S1-32544123000	S1-32544123000
73	7	Manifold, Gas (Includes Orifices)	S1-02926835000	S1-02926837000	S1-02926839000
74	7	Orifice, Gas	S1-02926854000	S1-02926854000	S1-02926854000
75	7	Igniter, Spark	S1-02547172000	S1-02547172000	S1-02547172000
76	7	Switch, Control Roll-out	S1-02541318000	S1-02541318000	S1-02541318000
77	7	Burner, Gas	S1-02922473000	S1-02922473000	S1-02922473000
78	7	Retainer, Lo-Nox	S1-07339384001	S1-07339384001	S1-07339384001

ITEM	FIG	DESCRIPTION	PCG4B600653X1A	PCG4B601003X1A	
<b>Burner Assembly</b>					
69	7	Support, Burner	S1-07339394001	S1-07339394001	
70	7	Box, Burner	S1-07339370001	S1-07339370001	
71	7	Flame, Sensor	S1-02537499000	S1-02537499000	
72	7	Valve, Gas	S1-32544123000	S1-32544123000	
73	7	Manifold, Gas (Includes Orifices)	S1-02926835000	S1-02926837000	
74	7	Orifice, Gas	S1-02926854000	S1-02926854000	
75	7	Igniter, Spark	S1-02547172000	S1-02547172000	
76	7	Switch, Control Roll-out	S1-02541318000	S1-02541318000	
77	7	Burner, Gas	S1-02922473000	S1-02922473000	
78	7	Retainer, Lo-Nox	S1-07339384001	S1-07339384001	

ITEM	FIG	DESCRIPTION	PCG4B600654X1A	PCG4B601004X1A	PCG4B601254X1A
<b>Burner Assembly</b>					
69	7	Support, Burner	S1-07339394001	S1-07339394001	S1-07339394001
70	7	Box, Burner	S1-07339370001	S1-07339370001	S1-07339370001
71	7	Flame, Sensor	S1-02537499000	S1-02537499000	S1-02537499000
72	7	Valve, Gas	S1-32544123000	S1-32544123000	S1-32544123000
73	7	Manifold, Gas (Includes Orifices)	S1-02926835000	S1-02926837000	S1-02926839000
74	7	Orifice, Gas	S1-02926854000	S1-02926854000	S1-02926854000
75	7	Igniter, Spark	S1-02547172000	S1-02547172000	S1-02547172000
76	7	Switch, Control Roll-out	S1-02541318000	S1-02541318000	S1-02541318000
77	7	Burner, Gas	S1-02922473000	S1-02922473000	S1-02922473000
78	7	Retainer, Lo-Nox	S1-07339384001	S1-07339384001	S1-07339384001

**NOTE:** \*Not Shown  
 New replacement parts shown in **bold** face type at the first printing of parts list dated 7/17.  
 Major components and suggested stocking items are shown with shaded item number.  
 “<” Across from row indicates a change in that row, changed part numbers in red.  
 --- Not applicable to specified model.





Outside Sheet Metal and Components \_ Figure 8

ITEM	FIG	DESCRIPTION	PCG4A360503X1A	PCG4A360753X1A	PCG4A361003X1A
<b>Outer Sheet Metal and Components</b>					
82	8	Base Rail, Front and Rear (2 Req'd)	S1-07327986001	S1-07327986001	S1-07327986001
83	8	Base Rail, Side (2 Req'd)	S1-07327986003	S1-07327986003	S1-07327986003
84	8	Panel Assy, Rear Duct	S1-37327989002	S1-37327989002	S1-37327989002
85	8	Panel Assy, Coil/Filter Access	S1-37327990001	S1-37327990001	S1-37327990001
86	8	Panel, Compressor Access	S1-07339375001	S1-07339375001	S1-07339375001
87	8	Panel Assy, Blower Access	S1-37327991001	S1-37327991001	S1-37327991001
88	8	Panel, Burner/Control Access	S1-07327998001	S1-07327998001	S1-07327998001
89	8	Panel, Gas Utility	S1-07339380001	S1-07339380001	S1-07339380001
90	8	Panel Assy, Heat Exchger Access	S1-37327992001	S1-37327992001	S1-37327992001
91	8	Post, Corner, Small (2 Req'd)	S1-07339377003	S1-07339377003	S1-07339377003
92	8	Post, Corner, Large (2 Req'd)	S1-07339376003	S1-07339376003	S1-07339376003
93	8	Guard, Coil, Front & Rear (2 Req'd)	S1-07339371003	S1-07339371003	S1-07339371003
94	8	Guard, Coil, Side (2 Req'd)	S1-07339374003	S1-07339374003	S1-07339374003
95	8	Panel Assy, Duct Cover	S1-37327995001	S1-37327995001	S1-37327995001
96	8	Panel, Top	S1-07339378002	S1-07339378002	S1-07339378002
97	8	Hood, Rain, Flue (Vent Air Outlet)	S1-36393686001	S1-36393686001	S1-36393686001
98	8	Hood, Exhaust Cover	S1-07339391001	S1-07339391001	S1-07339391001
99	8	Grommet, 1-5/8" PVC	S1-02804859900	S1-02804859900	S1-02804859900
100	8	Plug, Plastic, 1-3/32 Inch (2 Req'd)	S1-02816466000	S1-02816466000	S1-02816466000
101	8	Plug, Seal 7/8 Inch (2 Req'd)	S1-02815853000	S1-02815853000	S1-02815853000

ITEM	FIG	DESCRIPTION	PCG4A360504X1A	PCG4A360754X1A	PCG4A361004X1A
<b>Outer Sheet Metal and Components</b>					
82	8	Base Rail, Front and Rear (2 Req'd)	S1-07327986001	S1-07327986001	S1-07327986001
83	8	Base Rail, Side (2 Req'd)	S1-07327986003	S1-07327986003	S1-07327986003
84	8	Panel Assy, Rear Duct	S1-37327989002	S1-37327989002	S1-37327989002
85	8	Panel Assy, Coil/Filter Access	S1-37327990001	S1-37327990001	S1-37327990001
86	8	Panel, Compressor Access	S1-07339375001	S1-07339375001	S1-07339375001
87	8	Panel Assy, Blower Access	S1-37327991001	S1-37327991001	S1-37327991001
88	8	Panel, Burner/Control Access	S1-07327998001	S1-07327998001	S1-07327998001
89	8	Panel, Gas Utility	S1-07339380001	S1-07339380001	S1-07339380001
90	8	Panel Assy, Heat Exchger Access	S1-37327992001	S1-37327992001	S1-37327992001
91	8	Post, Corner, Small (2 Req'd)	S1-07339377003	S1-07339377003	S1-07339377003
92	8	Post, Corner, Large (2 Req'd)	S1-07339376003	S1-07339376003	S1-07339376003
93	8	Guard, Coil, Front & Rear (2 Req'd)	S1-07339371003	S1-07339371003	S1-07339371003
94	8	Guard, Coil, Side (2 Req'd)	S1-07339374003	S1-07339374003	S1-07339374003
95	8	Panel Assy, Duct Cover	S1-37327995001	S1-37327995001	S1-37327995001
96	8	Panel, Top	S1-07339378002	S1-07339378002	S1-07339378002
97	8	Hood, Rain, Flue (Vent Air Outlet)	S1-36393686001	S1-36393686001	S1-36393686001
98	8	Hood, Exhaust Cover	S1-07339391001	S1-07339391001	S1-07339391001
99	8	Grommet, 1-5/8" PVC	S1-02804859900	S1-02804859900	S1-02804859900
100	8	Plug, Plastic, 1-3/32 Inch (2 Req'd)	S1-02816466000	S1-02816466000	S1-02816466000
101	8	Plug, Seal 7/8 Inch (2 Req'd)	S1-02815853000	S1-02815853000	S1-02815853000

**NOTE:** \*Not ShownNew replacement parts shown in **bold** face type at the first printing of parts list dated 7/17.

Major components and suggested stocking items are shown with shaded item number.

"←" Across from row indicates a change in that row, changed part numbers in red.

--- Not applicable to specified model.

ITEM	FIG	DESCRIPTION	PCG4A420753X1A	PCG4A421003X1A	
<b>Outer Sheet Metal and Components</b>					
82	8	Base Rail, Front and Rear (2 Req'd)	S1-07327986001	S1-07327986001	
83	8	Base Rail, Side (2 Req'd)	S1-07327986003	S1-07327986003	
84	8	Panel Assy, Rear Duct	S1-37327989002	S1-37327989002	
85	8	Panel Assy, Coil/Filter Access	S1-37327990001	S1-37327990001	
86	8	Panel, Compressor Access	S1-07339375001	S1-07339375001	
87	8	Panel Assy, Blower Access	S1-37327991001	S1-37327991001	
88	8	Panel, Burner/Control Access	S1-07327998001	S1-07327998001	
89	8	Panel, Gas Utility	S1-07339380001	S1-07339380001	
90	8	Panel Assy, Heat Exchger Access	S1-37327992001	S1-37327992001	
91	8	Post, Corner, Small (2 Req'd)	S1-07339377004	S1-07339377004	
92	8	Post, Corner, Large (2 Req'd)	S1-07339376004	S1-07339376003	
93	8	Guard, Coil, Front & Rear (2 Req'd)	S1-07339371004	S1-07339371004	
94	8	Guard, Coil, Side (2 Req'd)	S1-07339374004	S1-07339374004	
95	8	Panel Assy, Duct Cover	S1-37327995001	S1-37327995001	
96	8	Panel, Top	S1-07339378002	S1-07339378002	
97	8	Hood, Rain, Flue (Vent Air Outlet)	S1-36393686001	S1-36393686001	
98	8	Hood, Exhaust Cover	S1-07339391001	S1-07339391001	
99	8	Grommet, 1-5/8" PVC	S1-02804859900	S1-02804859900	
100	8	Plug, Plastic, 1-3/32 Inch (2 Req'd)	S1-02816466000	S1-02816466000	
101	8	Plug, Seal 7/8 Inch (2 Req'd)	S1-02815853000	S1-02815853000	

ITEM	FIG	DESCRIPTION	PCG4B480653X1A	PCG4B481003X1A	PCG4B481253X1A
<b>Outer Sheet Metal and Components</b>					
82	8	Base Rail, Front and Rear (2 Req'd)	S1-07327986001	S1-07327986001	S1-07327986001
83	8	Base Rail, Side (2 Req'd)	S1-07327986002	S1-07327986002	S1-07327986002
84	8	Panel Assy, Rear Duct	S1-37327989001	S1-37327989001	S1-37327989001
85	8	Panel Assy, Coil/Filter Access	S1-37327990002	S1-37327990002	S1-37327990002
86	8	Panel, Compressor Access	S1-07339375001	S1-07339375001	S1-07339375001
87	8	Panel Assy, Blower Access	S1-37327991001	S1-37327991001	S1-37327991001
88	8	Panel, Burner/Control Access	S1-07327998001	S1-07327998001	S1-07327998001
89	8	Panel, Gas Utility	S1-07339380001	S1-07339380001	S1-07339380001
90	8	Panel Assy, Heat Exchger Access	S1-37327992002	S1-37327992002	S1-37327992002
91	8	Post, Corner, Small (2 Req'd)	S1-07339377006	S1-07339377006	S1-07339377006
92	8	Post, Corner, Large (2 Req'd)	S1-07339376006	S1-07339376006	S1-07339376006
93	8	Guard, Coil, Front & Rear (2 Req'd)	S1-07339371006	S1-07339371006	S1-07339371006
94	8	Guard, Coil, Side (2 Req'd)	S1-07339372006	S1-07339372006	S1-07339372006
95	8	Panel Assy, Duct Cover	S1-37327995002	S1-37327995002	S1-37327995002
96	8	Panel, Top	S1-07339378001	S1-07339378001	S1-07339378001
97	8	Hood, Rain, Flue (Vent Air Outlet)	S1-36393686001	S1-36393686001	S1-36393686001
98	8	Hood, Exhaust Cover	S1-07339391001	S1-07339391001	S1-07339391001
99	8	Grommet, 1-5/8" PVC	S1-02804859900	S1-02804859900	S1-02804859900
100	8	Plug, Plastic, 1-3/32 Inch (2 Req'd)	S1-02816466000	S1-02816466000	S1-02816466000
101	8	Plug, Seal 7/8 Inch (2 Req'd)	S1-02815853000	S1-02815853000	S1-02815853000

**NOTE:** \*Not Shown  
 New replacement parts shown in **bold** face type at the first printing of parts list dated 7/17.  
 Major components and suggested stocking items are shown with shaded item number.   
 "<" Across from row indicates a change in that row, changed part numbers in red.  
 --- Not applicable to specified model.

ITEM	FIG	DESCRIPTION	PCG4B480654X1A	PCG4B481004X1A	PCG4B481254X1A
<b>Outer Sheet Metal and Components</b>					
82	8	Base Rail, Front and Rear (2 Req'd)	S1-07327986001	S1-07327986001	S1-07327986001
83	8	Base Rail, Side (2 Req'd)	S1-07327986002	S1-07327986002	S1-07327986002
84	8	Panel Assy, Rear Duct	S1-37327989001	S1-37327989001	S1-37327989001
85	8	Panel Assy, Coil/Filter Access	S1-37327990002	S1-37327990002	S1-37327990002
86	8	Panel, Compressor Access	S1-07339375001	S1-07339375001	S1-07339375001
87	8	Panel Assy, Blower Access	S1-37327991001	S1-37327991001	S1-37327991001
88	8	Panel, Burner/Control Access	S1-07327998001	S1-07327998001	S1-07327998001
89	8	Panel, Gas Utility	S1-07339380001	S1-07339380001	S1-07339380001
90	8	Panel Assy, Heat Exchger Access	S1-37327992002	S1-37327992002	S1-37327992002
91	8	Post, Corner, Small (2 Req'd)	S1-07339377006	S1-07339377006	S1-07339377006
92	8	Post, Corner, Large (2 Req'd)	S1-07339376006	S1-07339376006	S1-07339376006
93	8	Guard, Coil, Front & Rear (2 Req'd)	S1-07339371006	S1-07339371006	S1-07339371006
94	8	Guard, Coil, Side (2 Req'd)	S1-07339372006	S1-07339372006	S1-07339372006
95	8	Panel Assy, Duct Cover	S1-37327995002	S1-37327995002	S1-37327995002
96	8	Panel, Top	S1-07339378001	S1-07339378001	S1-07339378001
97	8	Hood, Rain, Flue (Vent Air Outlet)	S1-36393686001	S1-36393686001	S1-36393686001
98	8	Hood, Exhaust Cover	S1-07339391001	S1-07339391001	S1-07339391001
99	8	Grommet, 1-5/8" PVC	S1-02804859900	S1-02804859900	S1-02804859900
100	8	Plug, Plastic, 1-3/32 Inch (2 Req'd)	S1-02816466000	S1-02816466000	S1-02816466000
101	8	Plug, Seal 7/8 Inch (2 Req'd)	S1-02815853000	S1-02815853000	S1-02815853000

ITEM	FIG	DESCRIPTION	PCG4B600653X1A	PCG4B601003X1A	
<b>Outer Sheet Metal and Components</b>					
82	8	Base Rail, Front and Rear (2 Req'd)	S1-07327986001	S1-07327986001	
83	8	Base Rail, Side (2 Req'd)	S1-07327986002	S1-07327986002	
84	8	Panel Assy, Rear Duct	S1-37327989001	S1-37327989001	
85	8	Panel Assy, Coil/Filter Access	S1-37327990002	S1-37327990002	
86	8	Panel, Compressor Access	S1-07339375001	S1-07339375001	
87	8	Panel Assy, Blower Access	S1-37327991001	S1-37327991001	
88	8	Panel, Burner/Control Access	S1-07327998001	S1-07327998001	
89	8	Panel, Gas Utility	S1-07339380001	S1-07339380001	
90	8	Panel Assy, Heat Exchger Access	S1-37327992002	S1-37327992002	
91	8	Post, Corner, Small (2 Req'd)	S1-07339377007	S1-07339377007	
92	8	Post, Corner, Large (2 Req'd)	S1-07339376007	S1-07339376007	
93	8	Guard, Coil, Front & Rear (2 Req'd)	S1-07339371007	S1-07339371007	
94	8	Guard, Coil, Side (2 Req'd)	S1-07339372007	S1-07339372007	
95	8	Panel Assy, Duct Cover	S1-37327995002	S1-37327995002	
96	8	Panel, Top	S1-07339378001	S1-07339378001	
97	8	Hood, Rain, Flue (Vent Air Outlet)	S1-36393686001	S1-36393686001	
98	8	Hood, Exhaust Cover	S1-07339391001	S1-07339391001	
99	8	Grommet, 1-5/8" PVC	S1-02804859900	S1-02804859900	
100	8	Plug, Plastic, 1-3/32 Inch (2 Req'd)	S1-02816466000	S1-02816466000	
101	8	Plug, Seal 7/8 Inch (2 Req'd)	S1-02815853000	S1-02815853000	

**NOTE:** \*Not Shown

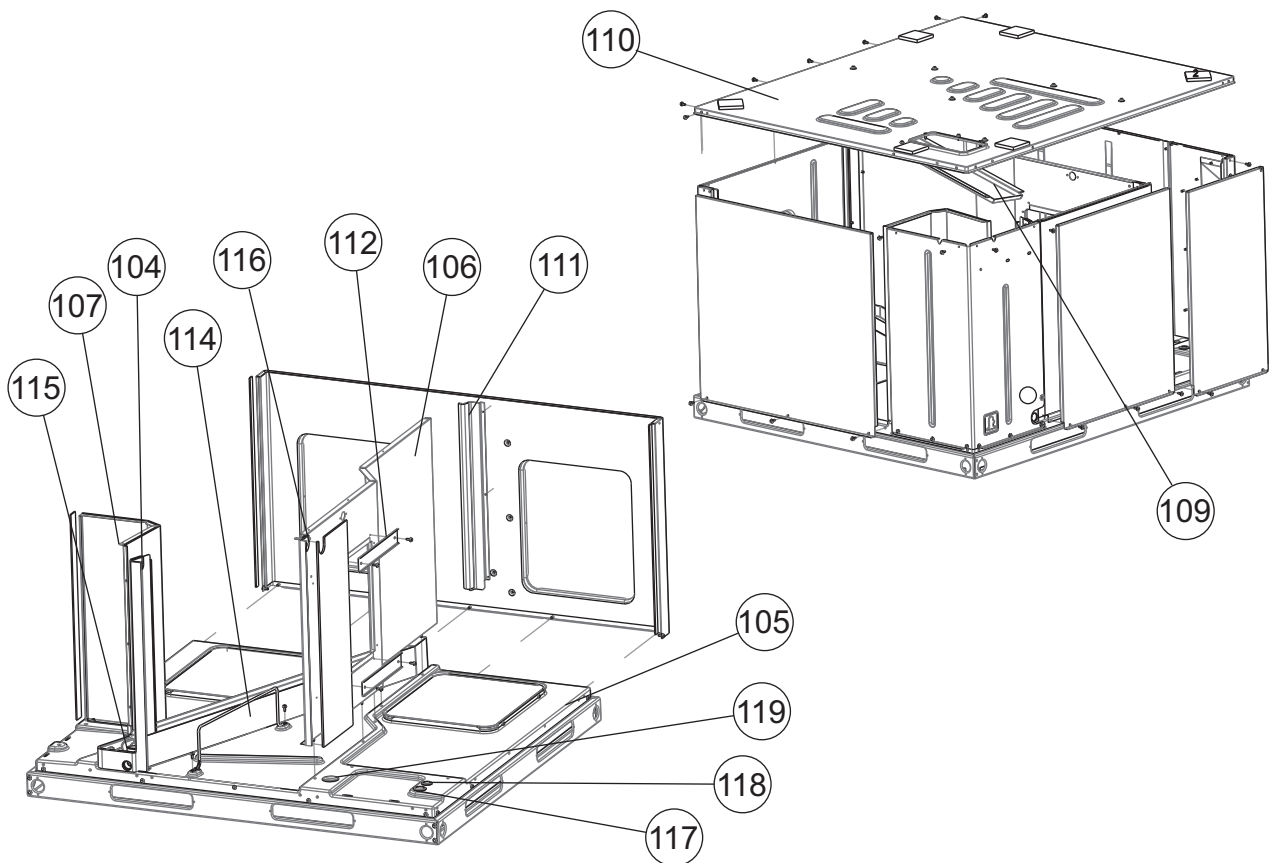
New replacement parts shown in **bold** face type at the first printing of parts list dated 7/17.

Major components and suggested stocking items are shown with shaded item number.

"<" Across from row indicates a change in that row, changed part numbers in red.

--- Not applicable to specified model.

ITEM	FIG	DESCRIPTION	PCG4B600654X1A	PCG4B601004X1A	PCG4B601254X1A
<b>Outer Sheet Metal and Components</b>					
82	8	Base Rail, Front and Rear (2 Req'd)	S1-07327986001	S1-07327986001	S1-07327986001
83	8	Base Rail, Side (2 Req'd)	S1-07327986002	S1-07327986002	S1-07327986002
84	8	Panel Assy, Rear Duct	S1-37327989001	S1-37327989001	S1-37327989001
85	8	Panel Assy, Coil/Filter Access	S1-37327990002	S1-37327990002	S1-37327990002
86	8	Panel, Compressor Access	S1-07339375001	S1-07339375001	S1-07339375001
87	8	Panel Assy, Blower Access	S1-37327991001	S1-37327991001	S1-37327991001
88	8	Panel, Burner/Control Access	S1-07327998001	S1-07327998001	S1-07327998001
89	8	Panel, Gas Utility	S1-07339380001	S1-07339380001	S1-07339380001
90	8	Panel Assy, Heat Exchger Access	S1-37327992002	S1-37327992002	S1-37327992002
91	8	Post, Corner, Small (2 Req'd)	S1-07339377007	S1-07339377007	S1-07339377007
92	8	Post, Corner, Large (2 Req'd)	S1-07339376007	S1-07339376007	S1-07339376007
93	8	Guard, Coil, Front & Rear (2 Req'd)	S1-07339371007	S1-07339371007	S1-07339371007
94	8	Guard, Coil, Side (2 Req'd)	S1-07339372007	S1-07339372007	S1-07339372007
95	8	Panel Assy, Duct Cover	S1-37327995002	S1-37327995002	S1-37327995002
96	8	Panel, Top	S1-07339378001	S1-07339378001	S1-07339378001
97	8	Hood, Rain, Flue (Vent Air Outlet)	S1-36393686001	S1-36393686001	S1-36393686001
98	8	Hood, Exhaust Cover	S1-07339391001	S1-07339391001	S1-07339391001
99	8	Grommet, 1-5/8" PVC	S1-02804859900	S1-02804859900	S1-02804859900
100	8	Plug, Plastic, 1-3/32 Inch (2 Req'd)	S1-02816466000	S1-02816466000	S1-02816466000
101	8	Plug, Seal 7/8 Inch (2 Req'd)	S1-02815853000	S1-02815853000	S1-02815853000



Inner Sheet Metal and Components \_ Figure 9

ITEM	FIG	DESCRIPTION	PCG4A360503X1A	PCG4A360753X1A	PCG4A361003X1A
<b>Inner Sheet Metal and Components</b>					
104	9	Block-off, Coil, Front	S1-07339414002	S1-07339414002	S1-07339414002
105	9	Base Pan Assy	S1-37327988002	S1-37327988002	S1-37327988002
106	9	Deck, Blower	S1-07339383004	S1-07339383004	S1-07339383004
107	9	Panel Assy, Compressor Barrier	S1-37339446001	S1-37339446001	S1-37339446001
108					
109	9	Panel, Coil Block-off	S1-07339388002	S1-07339388002	S1-07339388002
110	9	Panel Assembly, Mid	S1-37327993001	S1-37327993001	S1-37327993001
111	9	Block-off, Coil, Rear	S1-07339386003	S1-07339386003	S1-07339386003
112	9	Bracket, Blower Retainer (2 Req'd)	S1-07339386001	S1-07339386001	S1-07339386001
113					
114	9	Pan, Drain	S1-03200222000	S1-03200222000	S1-03200222000
115	9	Insert, Drain Pan	S1-02817076000	S1-02817076000	S1-02817076000
116	9	Grommet, .5" Dia (Utility Panel) (2 Req'd)	S1-02530823000	S1-02530823000	S1-02530823000
117	9	Plug, Plastic, 1-3/32 Inch (2 Req'd)	S1-02816466000	S1-02816466000	S1-02816466000
118	9	Plug, Seal 7/8 Inch (2 Req'd)	S1-02815853000	S1-02815853000	S1-02815853000
119	9	Grommet, 1-5/8"	S1-02814787000	S1-02814787000	S1-02814787000

ITEM	FIG	DESCRIPTION	PCG4A360504X1A	PCG4A360754X1A	PCG4A361004X1A
<b>Inner Sheet Metal and Components</b>					
104	9	Block-off, Coil, Front	S1-07339414002	S1-07339414002	S1-07339414002
105	9	Base Pan Assy	S1-37327988002	S1-37327988002	S1-37327988002
106	9	Deck, Blower	S1-07339383004	S1-07339383004	S1-07339383004
107	9	Panel Assy, Compressor Barrier	S1-37339446001	S1-37339446001	S1-37339446001
108					
109	9	Panel, Coil Block-off	S1-07339388002	S1-07339388002	S1-07339388002
110	9	Panel Assembly, Mid	S1-37327993001	S1-37327993001	S1-37327993001
111	9	Block-off, Coil, Rear	S1-07339386003	S1-07339386003	S1-07339386003
112	9	Bracket, Blower Retainer (2 Req'd)	S1-07339386001	S1-07339386001	S1-07339386001
113					
114	9	Pan, Drain	S1-03200222000	S1-03200222000	S1-03200222000
115	9	Insert, Drain Pan	S1-02817076000	S1-02817076000	S1-02817076000
116	9	Grommet, .5" Dia (Utility Panel) (2 Req'd)	S1-02530823000	S1-02530823000	S1-02530823000
117	9	Plug, Plastic, 1-3/32 Inch (2 Req'd)	S1-02816466000	S1-02816466000	S1-02816466000
118	9	Plug, Seal 7/8 Inch (2 Req'd)	S1-02815853000	S1-02815853000	S1-02815853000
119	9	Grommet, 1-5/8"	S1-02814787000	S1-02814787000	S1-02814787000

ITEM	FIG	DESCRIPTION	PCG4A420753X1A	PCG4A421003X1A	
<b>Inner Sheet Metal and Components</b>					
104	9	Block-off, Coil, Front	S1-07339414002	S1-07339414002	
105	9	Base Pan Assy	S1-37327988002	S1-37327988002	
106	9	Deck, Blower	S1-07339383004	S1-07339383004	
107	9	Panel Assy, Compressor Barrier	S1-37339446001	S1-37339446001	
108					
109	9	Panel, Coil Block-off	S1-07339388002	S1-07339388002	
110	9	Panel Assembly, Mid	S1-37327993001	S1-37327993001	
111	9	Block-off, Coil, Rear	S1-07339386003	S1-07339386003	
112	9	Bracket, Blower Retainer (2 Req'd)	S1-07339386001	S1-07339386001	
113					
114	9	Pan, Drain	S1-03200222000	S1-03200222000	
115	9	Insert, Drain Pan	S1-02817076000	S1-02817076000	
116	9	Grommet, .5" Dia.(Utility Panel) (2 Req'd)	S1-02530823000	S1-02530823000	
117	9	Plug, Plastic, 1-3/32 Inch (2 Req'd)	S1-02816466000	S1-02816466000	
118	9	Plug, Seal 7/8 Inch (2 Req'd)	S1-02815853000	S1-02815853000	
119	9	Grommet, 1-5/8"	S1-02814787000	S1-02814787000	

**NOTE:** \*Not ShownNew replacement parts shown in **bold** face type at the first printing of parts list dated 7/17.Major components and suggested stocking items are shown with shaded item number. 

"←" Across from row indicates a change in that row, changed part numbers in red.

--- Not applicable to specified model.

ITEM	FIG	DESCRIPTION	PCG4B480653X1A	PCG4B481003X1A	PCG4B481253X1A
<b>Inner Sheet Metal and Components</b>					
104	9	Block-off, Coil, Front	S1-07339414002	S1-07339414002	S1-07339414002
105	9	Base Pan Assy	S1-37327988001	S1-37327988001	S1-37327988001
106	9	Deck, Blower	S1-07339383002	S1-07339383002	S1-07339383002
107	9	Panel Assy, Compressor Barrier	S1-37339446001	S1-37339446001	S1-37339446001
108					
109	9	Panel, Coil Block-off	S1-07339388001	S1-07339388001	S1-07339388001
110	9	Panel Assembly, Mid	S1-37327993002	S1-37327993002	S1-37327993002
111	9	Block-off, Coil, Rear	S1-07339386003	S1-07339386003	S1-07339386003
112	9	Bracket, Blower Retainer (2 Req'd)	S1-07339386001	S1-07339386001	S1-07339386001
113					
114	9	Pan, Drain	S1-03200223000	S1-03200223000	S1-03200223000
115	9	Insert, Drain Pan	S1-02817076000	S1-02817076000	S1-02817076000
116	9	Grommet, .5" Dia (Utility Panel) (2 Req'd)	S1-02530823000	S1-02530823000	S1-02530823000
117	9	Plug, Plastic, 1-3/32 Inch (2 Req'd)	S1-02816466000	S1-02816466000	S1-02816466000
118	9	Plug, Seal 7/8 Inch (2 Req'd)	S1-02815853000	S1-02815853000	S1-02815853000
119	9	Grommet, 1-5/8"	S1-02814787000	S1-02814787000	S1-02814787000

ITEM	FIG	DESCRIPTION	PCG4B480654X1A	PCG4B481004X1A	PCG4B481254X1A
<b>Inner Sheet Metal and Components</b>					
104	9	Block-off, Coil, Front	S1-07339414002	S1-07339414002	S1-07339414002
105	9	Base Pan Assy	S1-37327988001	S1-37327988001	S1-37327988001
106	9	Deck, Blower	S1-07339383002	S1-07339383002	S1-07339383002
107	9	Panel Assy, Compressor Barrier	S1-37339446001	S1-37339446001	S1-37339446001
108					
109	9	Panel, Coil Block-off	S1-07339388001	S1-07339388001	S1-07339388001
110	9	Panel Assembly, Mid	S1-37327993002	S1-37327993002	S1-37327993002
111	9	Block-off, Coil, Rear	S1-07339386003	S1-07339386003	S1-07339386003
112	9	Bracket, Blower Retainer (2 Req'd)	S1-07339386001	S1-07339386001	S1-07339386001
113					
114	9	Pan, Drain	S1-03200223000	S1-03200223000	S1-03200223000
115	9	Insert, Drain Pan	S1-02817076000	S1-02817076000	S1-02817076000
116	9	Grommet, .5" Dia (Utility Panel) (2 Req'd)	S1-02530823000	S1-02530823000	S1-02530823000
117	9	Plug, Plastic, 1-3/32 Inch (2 Req'd)	S1-02816466000	S1-02816466000	S1-02816466000
118	9	Plug, Seal 7/8 Inch (2 Req'd)	S1-02815853000	S1-02815853000	S1-02815853000
119	9	Grommet, 1-5/8"	S1-02814787000	S1-02814787000	S1-02814787000

ITEM	FIG	DESCRIPTION	PCG4B600653X1A	PCG4B601003X1A	
<b>Inner Sheet Metal and Components</b>					
104	9	Block-off, Coil, Front	S1-07339414002	S1-07339414002	
105	9	Base Pan Assy	S1-37327988001	S1-37327988001	
106	9	Deck, Blower	S1-07339383002	S1-07339383002	
107	9	Panel Assy, Compressor Barrier	S1-37339446001	S1-37339446001	
108					
109	9	Panel, Coil Block-off	S1-07339388001	S1-07339388001	
110	9	Panel Assembly, Mid	S1-37327993002	S1-37327993002	
111	9	Block-off, Coil, Rear	S1-07339386003	S1-07339386003	
112	9	Bracket, Blower Retainer (2 Req'd)	S1-07339386001	S1-07339386001	
113					
114	9	Pan, Drain	S1-03200223000	S1-03200223000	
115	9	Insert, Drain Pan	S1-02817076000	S1-02817076000	
116	9	Grommet, .5" Dia (Utility Panel) (2 Req'd)	S1-02530823000	S1-02530823000	
117	9	Plug, Plastic, 1-3/32 Inch (2 Req'd)	S1-02816466000	S1-02816466000	
118	9	Plug, Seal 7/8 Inch (2 Req'd)	S1-02815853000	S1-02815853000	
119	9	Grommet, 1-5/8"	S1-02814787000	S1-02814787000	

**NOTE:** \*Not ShownNew replacement parts shown in **bold** face type at the first printing of parts list dated 7/17.

Major components and suggested stocking items are shown with shaded item number.

"←" Across from row indicates a change in that row, changed part numbers in red.

--- Not applicable to specified model.

ITEM	FIG	DESCRIPTION	PCG4B600654X1A	PCG4B601004X1A	PCG4B601254X1A
<b>Inner Sheet Metal and Components</b>					
104	9	Block-off, Coil, Front	S1-07339414002	S1-07339414002	S1-07339414002
105	9	Base Pan Assy	S1-37327988001	S1-37327988001	S1-37327988001
106	9	Deck, Blower	S1-07339383002	S1-07339383002	S1-07339383002
107	9	Panel Assy, Compressor Barrier	S1-37339446001	S1-37339446001	S1-37339446001
108					
109	9	Panel, Coil Block-off	S1-07339388001	S1-07339388001	S1-07339388001
110	9	Panel Assembly, Mid	S1-37327993002	S1-37327993002	S1-37327993002
111	9	Block-off, Coil, Rear	S1-07339386003	S1-07339386003	S1-07339386003
112	9	Bracket, Blower Retainer (2 Req'd)	S1-07339386001	S1-07339386001	S1-07339386001
113					
114	9	Pan, Drain	S1-03200223000	S1-03200223000	S1-03200223000
115	9	Insert, Drain Pan	S1-02817076000	S1-02817076000	S1-02817076000
116	9	Grommet, .5" Dia (Utility Panel) (2 Req'd)	S1-02530823000	S1-02530823000	S1-02530823000
117	9	Plug, Plastic, 1-3/32 Inch (2 Req'd)	S1-02816466000	S1-02816466000	S1-02816466000
118	9	Plug, Seal 7/8 Inch (2 Req'd)	S1-02815853000	S1-02815853000	S1-02815853000
119	9	Grommet, 1-5/8"	S1-02814787000	S1-02814787000	S1-02814787000

ITEM	FIG	DESCRIPTION	ALL MODELS
<b>Misc.</b>			
125	*	Badge, Branding	<b>Consult S1 Acct Rep</b>
126	*	Strap, Cable	S1-02527642000
127	*	Tubing, 0.125 ID, Silicone	S1-02811957000
128	*	Filter Frame Kit, 3 and 3.5T	S1-1FF0601
		Filter Frame Kit, 4 and 5T	S1-1FF0602
129	*	Filter, Alum, 10" x 20" x 1"	S1-02647812000

**NOTE:** \*Not Shown  
 New replacement parts shown in **bold** face type at the first printing of parts list dated 7/17.  
 Major components and suggested stocking items are shown with shaded item number.  
 "<" Across from row indicates a change in that row, changed part numbers in red.  
 --- Not applicable to specified model.



**TO ORDER AUTHORIZED FACTORY REPLACEMENT PARTS** - Contact your Source1 HVAC Parts Distributor or visit our website at **[www.Source1Parts.com](http://www.Source1Parts.com)** for a Distributor and Dealer listing.

Subject to change without notice. Published in U.S.A.  
Copyright © 2017 by Johnson Controls, Inc. All rights reserved.

035-24575-001 Rev. D (0717)  
Supersedes: 035-24575-001 Rev. C (1116)

---

**York International Corp.**  
**5005 York Drive**  
**Norman, OK 73069**