



www.Source1Parts.com

HVAC SERVICE PARTS

AVG SERIES SINGLE PIECE ECM AIR HANDLER R-22 TXV AND FLEX COIL MODELS (STYLE A & B)

Supersedes:035-21128-001 Rev. H (1008)

035-21128-001 Rev. J (1009)

1 of 4

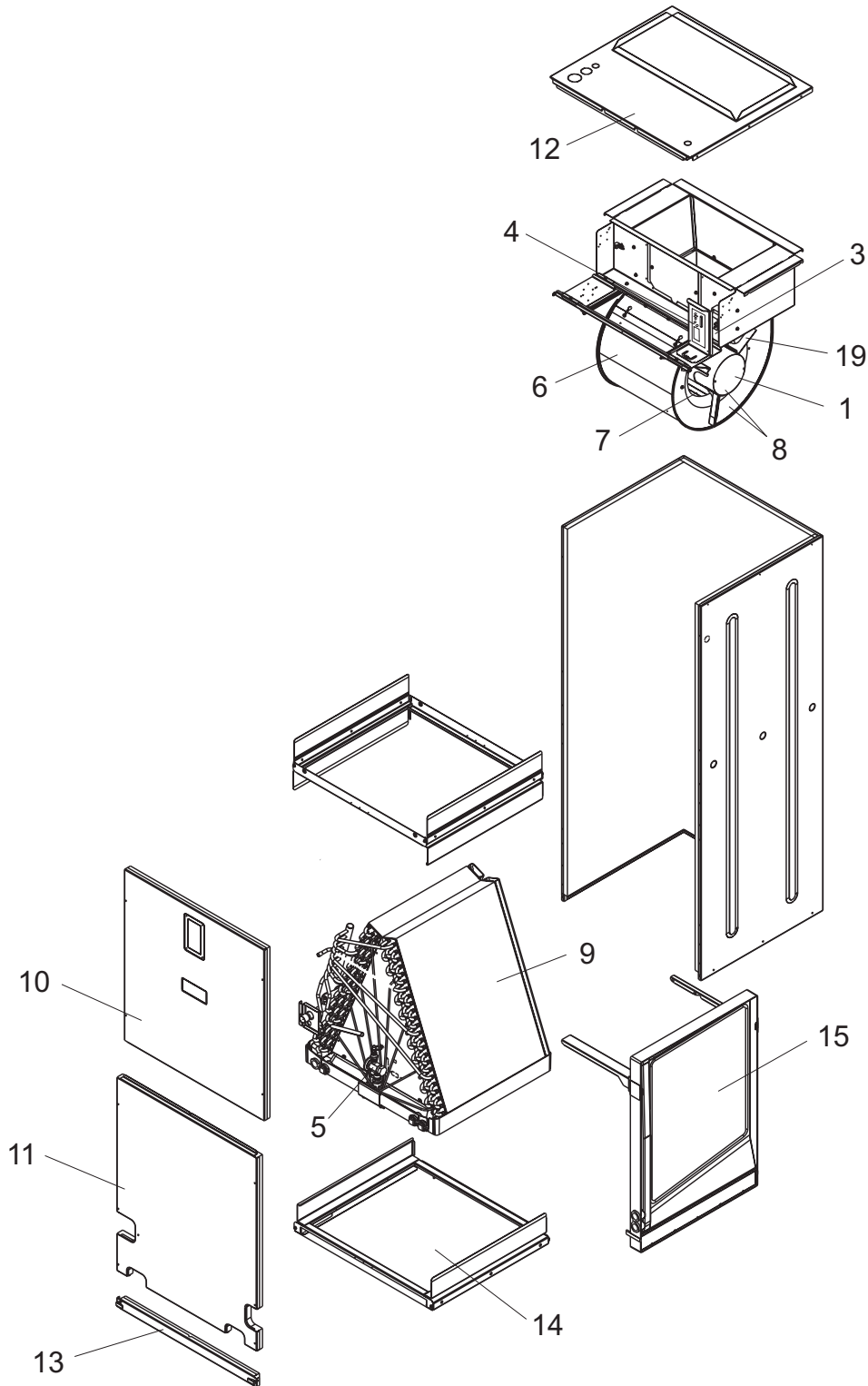


FIGURE 1: SINGLE PIECE ECM AIR HANDLER - R-22 TXV

ITEM	DESCRIPTION	AVG24B2AH21A	AVG36C2AH21A	AVG48D2CH21A	AVG48D2CH21B
1	Motor, Blower (ECM)	S1-02435826000	S1-02435827000	S1-02435830000	S1-02435830000
1A	Motor, ECM (unprogrammed)	S1-02435313000	S1-02431940000	S1-02431947000	S1-02431947000
1B	Module, ECM (Programmed)	S1-32435314116	S1-32432013117	S1-32432014120	S1-32432014120
2					
3	Transformer (40VA)	S1-02518452000	S1-02518452000	S1-02518452000	S1-02518452000
4	Control, Fan/Elec Heat	S1-03109157000	S1-03109157000	S1-03109157000	S1-03109157000
5	TXV	S1-1TVM2A1	S1-1TVM2A1	S1-1TVM2C1	S1-1TVM2C1
6	Housing, Blower (w/Wheel)	S1-02642414000	S1-02642414000	S1-02642412000	S1-02642412000
7	Wheel, Blower	S1-02642281000	S1-02642199000	S1-02642199000	S1-02642199000
8	Complete Blower Ass'y	S1-02642354000	S1-02642355000	S1-02642356000	S1-02642356000
9	Complete Coil w/Drain Pan (See Note 1)	S1-37323793011	S1-37323793002	S1-37323793006	S1-37323793106
10	Panel, Top Door (Insul)	S1-37323831024	S1-37323831014	S1-37323831004	S1-37323831004
11	Panel, Access Door (Bottom) (Insul)	S1-37323831025	S1-37323831015	S1-37323831005	S1-37323831005
12	Panel, Top (Insul)	S1-37323831023	S1-37323831013	S1-37323831003	S1-37323831003
13	Door, Bottom Door (Filter) (Insul)	S1-37323831022	S1-37323831012	S1-37323831002	S1-37323831002
14	Pan, Drain (Insul)	S1-37323794005	S1-37323794002	S1-37323794003	S1-37323794003
15	Pan, Horizontal Drain	S1-03200215000	S1-03200216000	S1-03200217000	S1-03200217000
16*	Cover, Hairpin	S1-03100206000	S1-03100210000	S1-03100212000	S1-03100212000
17*	Grommet, 3/8"	S1-02813209000	S1-02813209000	S1-02813209000	S1-02813209000
18*	Grommet, 3/4"	S1-02813204000	---	---	---
	Grommet, 7/8"	---	S1-02813205000	S1-02813205000	S1-02813205000
19	Mount, Motor	S1-07319831001	S1-07319831001	S1-07319831001	S1-07319831001
20*	Grommet, Motor Mount (3 Req'd)	S1-02814740000	S1-02814740000	S1-02814740000	S1-02814740000
21*	Ferrule, Motor Mount (3 Req'd)	S1-02320541000	S1-02320541000	S1-02320541000	S1-02320541000
22	Diagram, Wiring	167076	167076	167076	167076
23*	Harness, Power	S1-02539873000	S1-02539873000	S1-02539873000	S1-02539873000
24*	Baffle Kit, Condensate	S1-37323890002	S1-37323890003	S1-37323890004	S1-37323890004
25*	Clip, Baffle	S1-02131402000	S1-02131402000	S1-02131402000	S1-02131402000

<

ITEM	DESCRIPTION	AVG60D2CH21A	AVG60D2CH21B		
1	Motor, Blower (ECM)	S1-02435831000	S1-02435831000		
1A	Motor, ECM (unprogrammed)	S1-02431941000	S1-02431941000		
1B	Module, ECM (Programmed)	S1-32432015121	S1-32432015121		
2					
3	Transformer (40VA)	S1-02518452000	S1-02518452000		
4	Control, Fan/Elec Heat	S1-03109157000	S1-03109157000		
5	TXV	S1-1TVM2C1	S1-1TVM2C1		
6	Housing, Blower (w/Wheel)	S1-02642412000	S1-02642412000		
7	Wheel, Blower	S1-02642196000	S1-02642196000		
8	Complete Blower Ass'y	S1-02642357000	S1-02642357000		
9	Complete Coil w/Drain Pan (See Note 1)	S1-37323793006	S1-37323793106		
10	Panel, Top Door (Insul)	S1-37323831004	S1-37323831004		
11	Panel, Access Door (Bottom) (Insul)	S1-37323831005	S1-37323831005		
12	Panel, Top (Insul)	S1-37323831003	S1-37323831003		
13	Door, Bottom Door (Filter) (Insul)	S1-37323831002	S1-37323831002		
14	Pan, Drain (Insul)	S1-37323794003	S1-37323794003		
15	Pan, Horizontal Drain	S1-03200217000	S1-03200217000		
16*	Cover, Hairpin	S1-03100212000	S1-03100212000		
17*	Grommet, 3/8"	S1-02813209000	S1-02813209000		
18*	Grommet, 3/4"	---	---		
	Grommet, 7/8"	S1-02813205000	S1-02813205000		
19	Mount, Motor	S1-07319831001	S1-07319831001		
20*	Grommet, Motor Mount (3 Req'd)	S1-02814740000	S1-02814740000		
21*	Ferrule, Motor Mount (3 Req'd)	S1-02320541000	S1-02320541000		
22	Diagram, Wiring	167076	167076		
23*	Harness, Power	S1-02539873000	S1-02539873000		
24*	Baffle Kit, Condensate	S1-37323890004	S1-37323890004		
25*	Clip, Baffle	S1-02131402000	S1-02131402000		

<

NOTE: *Not Shown
 New replacement parts shown in **bold** face type at the first printing of parts list dated 10/09.
 Major components and suggested stocking items are shown with shaded item number.
 "<" Across from row indicates a change in that row.
 --- Not applicable to specified model.
 1 Coil does not include TXV.



FIGURE 1 : SINGLE PIECE ECM AIR HANDLER - FLEX COIL

ITEM	DESCRIPTION	AVG24B3XH21A	AVG36C3XH21A	AVG48D3XH21A	AVG48D3XH21B
1	Motor, Blower (ECM)	S1-02435826000	S1-02435827000	S1-02435830000	S1-02435830000
1A	Motor, ECM (unprogrammed)	S1-02435313000	S1-02431940000	S1-02431947000	S1-02431947000
1B	Module, ECM (Programmed)	S1-32435314116	S1-32432013117	S1-32432014120	S1-32432014120
2					
3	Transformer (40VA)	S1-02518452000	S1-02518452000	S1-02518452000	S1-02518452000
4	Control, Fan/Elec Heat	S1-03109157000	S1-03109157000	S1-03109157000	S1-03109157000
5					
6	Housing, Blower (w/Wheel)	S1-02642414000	S1-02642414000	S1-02642412000	S1-02642412000
7	Wheel, Blower	S1-02642481000	S1-02642199000	S1-02642199000	S1-02642199000
8	Complete Blower Ass'y	S1-02642354000	S1-02642355000	S1-02642356000	S1-02642356000
9	Complete Coil w/Drain Pan	S1-37323793011	S1-37323793002	S1-37323793006	S1-37323793106
10	Panel, Top Door (Insul)	S1-37323831024	S1-37323831014	S1-37323831004	S1-37323831004
11	Panel, Access Door (Bottom) (Insul)	S1-37323831025	S1-37323831015	S1-37323831005	S1-37323831005
12	Panel, Top (Insul)	S1-37323831023	S1-37323831013	S1-37323831003	S1-37323831003
13	Door, Bottom Door (Filter) (Insul)	S1-37323831022	S1-37323831012	S1-37323831002	S1-37323831002
14	Pan, Drain (Insul)	S1-37323794005	S1-37323794002	S1-37323794003	S1-37323794003
15	Pan, Horizontal Drain	S1-03200215000	S1-03200216000	S1-03200217000	S1-03200217000
16*	Cover, Hairpin	S1-03100206000	S1-03100210000	S1-03100212000	S1-03100212000
17*	Grommet, 3/8"	S1-02813209000	S1-02813209000	S1-02813209000	S1-02813209000
18*	Grommet, 3/4"	S1-02813204000	---	---	---
	Grommet, 7/8"	---	S1-02813205000	S1-02813205000	S1-02813205000
19	Mount, Motor	S1-07319831001	S1-07319831001	S1-07319831001	S1-07319831001
20*	Grommet, Motor Mount (3 Req'd)	S1-02814740000	S1-02814740000	S1-02814740000	S1-02814740000
21*	Ferrule, Motor Mount (3 Req'd)	S1-02320541000	S1-02320541000	S1-02320541000	S1-02320541000
22	Diagram, Wiring	167076	167076	167076	167076
23*	Harness, Power	S1-02539873000	S1-02539873000	S1-02539873000	S1-02539873000
24*	Baffle Kit, Condensate	S1-37323890002	S1-37323890003	S1-37323890004	S1-37323890004
25*	Clip, Baffle	S1-02131402000	S1-02131402000	S1-02131402000	S1-02131402000

ITEM	DESCRIPTION	AVG60D3XH21A	AVG60D3XH21B		
1	Motor, Blower (ECM)	S1-02435831000	S1-02435831000		
1A	Motor, ECM (unprogrammed)	S1-02431941000	S1-02431941000		
1B	Module, ECM (Programmed)	S1-32432015121	S1-32432015121		
2					
3	Transformer (40VA)	S1-02518452000	S1-02518452000		
4	Control, Fan/Elec Heat	S1-03109157000	S1-03109157000		
5					
6	Housing, Blower (w/Wheel)	S1-02642412000	S1-02642412000		
7	Wheel, Blower	S1-02642196000	S1-02642196000		
8	Complete Blower Ass'y	S1-02642357000	S1-02642357000		
9	Complete Coil w/Drain Pan	S1-37323793006	S1-37323793106		
10	Panel, Top Door (Insul)	S1-37323831004	S1-37323831004		
11	Panel, Access Door (Bottom) (Insul)	S1-37323831005	S1-37323831005		
12	Panel, Top (Insul)	S1-37323831003	S1-37323831003		
13	Door, Bottom Door (Filter) (Insul)	S1-37323831002	S1-37323831002		
14	Pan, Drain (Insul)	S1-37323794003	S1-37323794003		
15	Pan, Horizontal Drain	S1-03200217000	S1-03200217000		
16*	Cover, Hairpin	S1-03100212000	S1-03100212000		
17*	Grommet, 3/8"	S1-02813209000	S1-02813209000		
18*	Grommet, 3/4"	---	---		
	Grommet, 7/8"	S1-02813205000	S1-02813205000		
19	Mount, Motor	S1-07319831001	S1-07319831001		
20*	Grommet, Motor Mount (3 Req'd)	S1-02814740000	S1-02814740000		
21*	Ferrule, Motor Mount (3 Req'd)	S1-02320541000	S1-02320541000		
22	Diagram, Wiring	167076	167076		
23*	Harness, Power	S1-02539873000	S1-02539873000		
24*	Baffle Kit, Condensate	S1-37323890004	S1-37323890004		
25*	Clip, Baffle	S1-02131402000	S1-02131402000		

NOTE: *Not ShownNew replacement parts shown in **bold** face type at the first printing of parts list dated 10/09.

Major components and suggested stocking items are shown with shaded item number.

"←" Across from row indicates a change in that row.

--- Not applicable to specified model.

TO ORDER AUTHORIZED FACTORY REPLACEMENT PARTS - Contact your Source1 HVAC Parts Distributor or visit our website at www.Source1Parts.com for a Distributor and Dealer listing.