



www.Source1Parts.com

D2NQ SERIES - 14 SEER SINGLE PACKAGED GAS/ELECTRIC AIR CONDITIONER (R-410A, STYLE A)

HVAC SERVICE PARTS

Supersedes: Nothing

035-23445-001 Rev. A (1112)

1 of 10

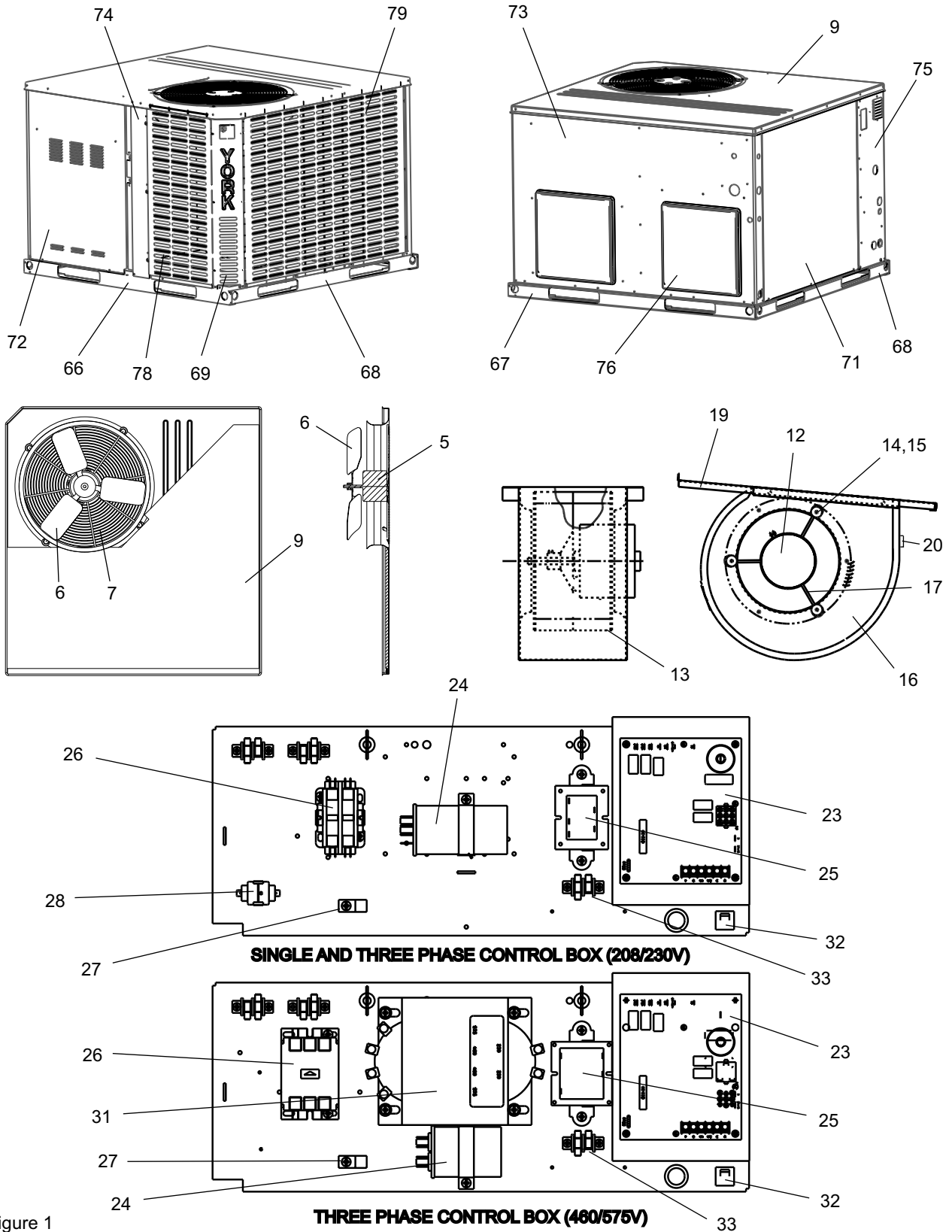


Figure 1

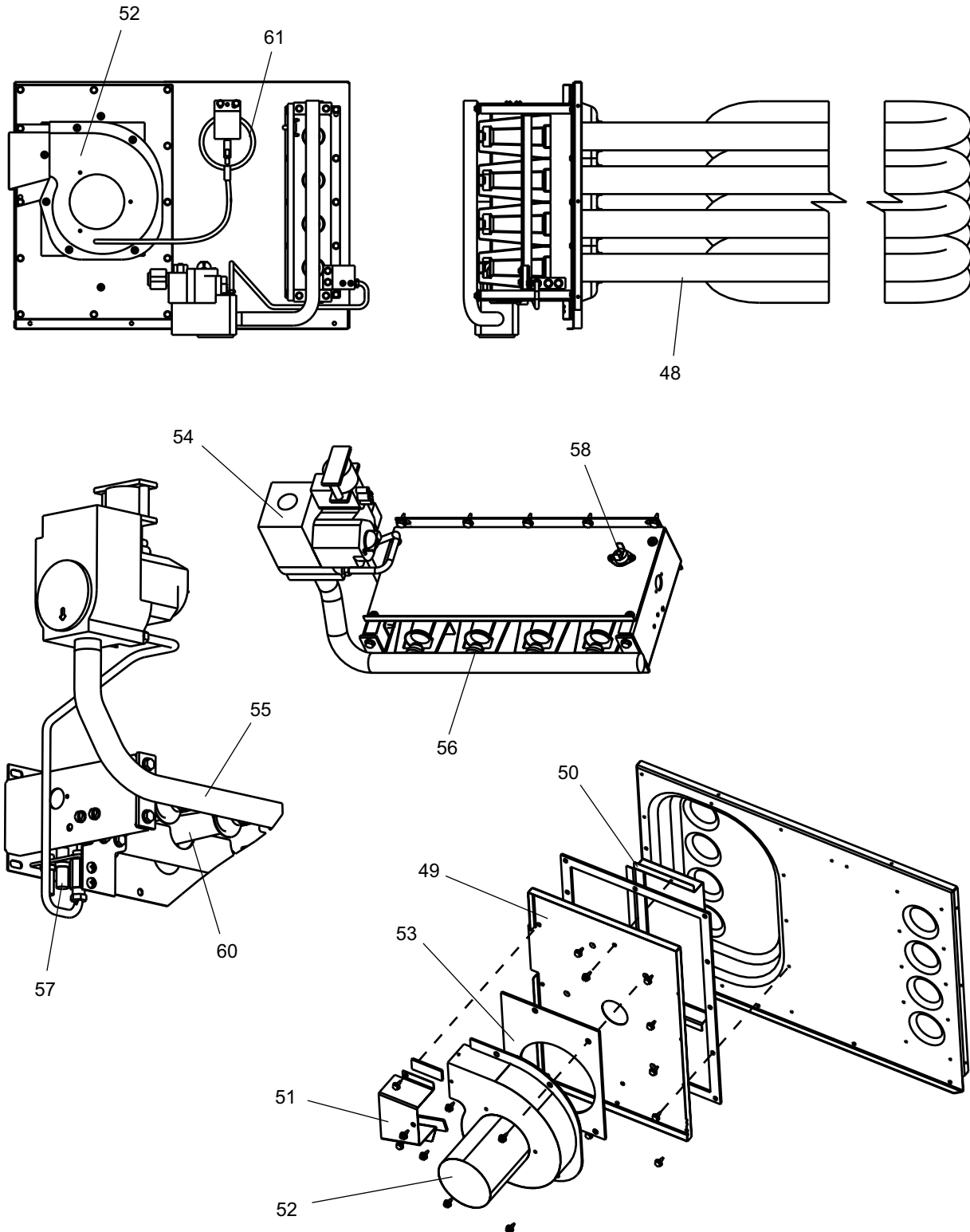


Figure 2

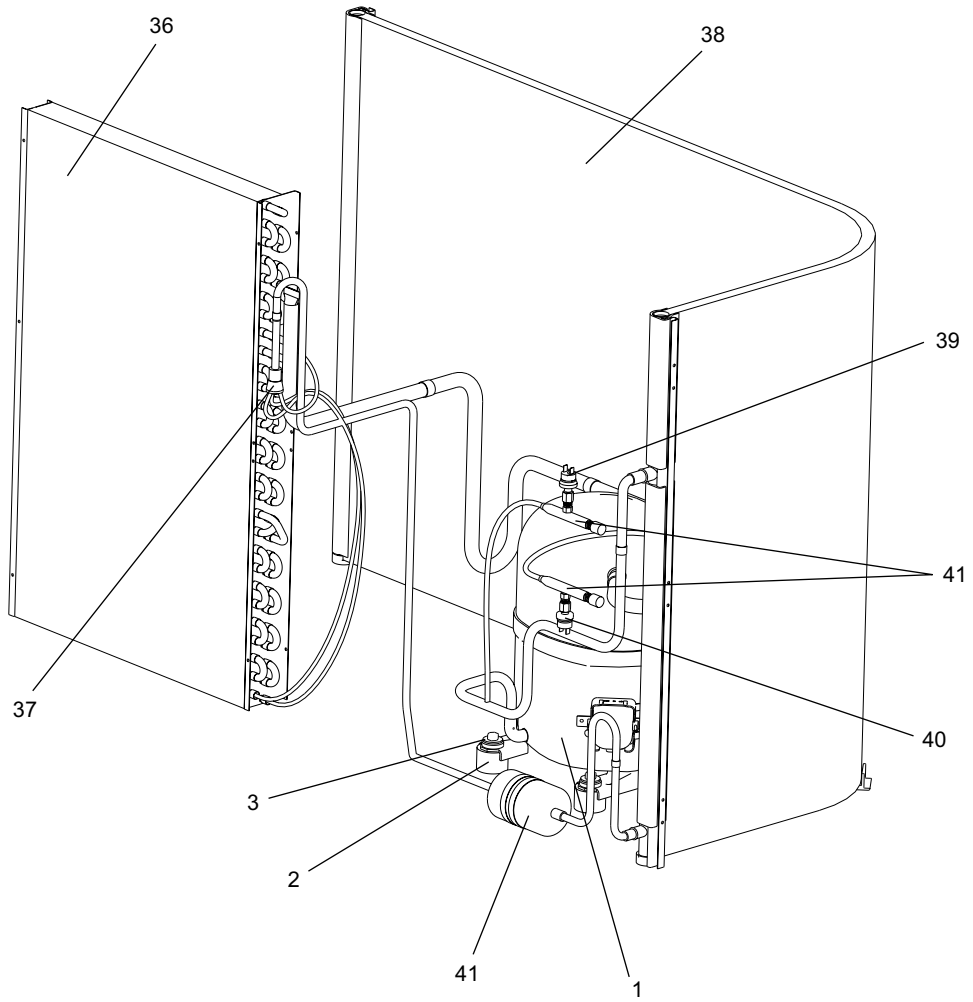


Figure 3

ITEM	FIG	DESCRIPTION	D2NQ042D09006A	D2NQ042N06506A
Compressors				
1	3	Compressor	S1-01503894004	S1-01503894004
2	3	Cushion Mount	S1-02810581000	S1-02810581000
3	3	Bolt, Compressor	S1-02116047000	S1-02116047000
Condensor Fan Motor & Air Moving Components				
5	1	Motor, Fan	S1-02424117003	S1-02424117003
6	1	Blade, Fan	S1-02639408000	S1-02639408000
7	1	Guard, Fan	S1-02646742000	S1-02646742000
8	*	Wireway(26")	S1-02810070000	S1-02810070000
9	1	Roof, Condenser	S1-37328308000	S1-37328308000
10	*	Kit, Acorn Nut	S1-36390117700	S1-36390117700
Indoor Blower Motor & Air Moving Components				
12	1	Motor, Blower, Programmed	S1-02436075210	S1-02436075211
		Motor, Blw, Unprogram, w/o Mod	S1-02436075000	S1-02436075000
		Module, Programmed (no motor)	S1-02436081210	S1-02436081211
		Module, Unprogrammed (no motor)	S1-02436081000	S1-02436081000
13	1	Wheel, Blower	Included in item #16	Included in item #16
14	1	Grommet, Motor Mount (3 Req'd)	S1-02814740000	S1-02814740000
15	1	Ferrule, Motor Mount (3 Req'd)	S1-02320541000	S1-02320541000
16	1	Housing, Blower	S1-02642533000	S1-02642533000
17	1	Assembly, Motor Mount	S1-07328479000	S1-07328479000
18	*	Cutoff, Blower	---	---
19	1	Plate, Blower	S1-07316301001	S1-07316301001
20	1	Switch,Aux Limit, Manual Reset	S1-02531834000	S1-02531834000
Electric Box				
22	*	Board, Control, CFM	S1-03103002000	S1-03103002000
23	1	Board, Control	S1-03109174000	S1-03109175000
24	1	Capacitor, Dual Run	S1-02425059700	S1-02425059700
		Capacitor, Single Run	---	---
25	1	Transformer	S1-02518452700	S1-02518452700
26	1	Contacto	S1-02425840700	S1-02425840700
27	1	Lug, Electrical	S1-02521798000	S1-02521798000
28	1	Assist, Motor Start	---	---
29	*	Harness, Wire, Control	S1-02541213000	S1-02541216000
30	*	Diagram, Wiring	858752	855070
31	1	Transformer	---	---
32	1	Breaker, Circuit	---	---
33	1	Block, Terminal	---	---
Evaporator Coil, Condensor Coil, and Piping Components				
36	3	Coil, Evaporator	S1-37329032000	S1-37329032000
37	3	Valve, Distributor (Evap)	S1-02211460000	S1-02211460000
38	3	Coil, Condenser	S1-37328296000	S1-37328296000
39	3	Switch, High Pressure	S1-02538728000	S1-02538728000
40	3	Switch, Low Pressure	S1-02539909000	S1-02539909000
41	3	Filter Drier	S1-52634088000	S1-52634088000
42	3	Connector Tee, Pres Sw. (2 Req'd)	S1-02322437000	S1-02322437000
43	*	Valve, Schraeder (4 Req'd)	S1-02202475700	S1-02202475700
44	*	Cap, Seal (2 Req'd)	S1-02310745000	S1-02310745000
45	*	TXV, Evap	S1-02541062000	S1-02541062000
Heating Section, Vent, Blower, and Gas Control Components				
48	2	Heat Exchanger Assy	S1-37316471704	S1-37316471703
49	2	Plate, Restrictor	S1-07319348004	S1-07319348003
50	2	Baffle, Restrictor	S1-07314993002	S1-07314993002
51	2	Flue, Exhaust	S1-07319344000	S1-07319344000
52	2	Blower, Vent	S1-02646427000	S1-02633999001
53	2	Gasket, Vent Blower	S1-02812467000	S1-02812467000
54	2	Valve, Gas	S1-02541218000	S1-VR8204M1026
55	2	Manifold, Gas	S1-02921198000	S1-02921198000
56	2	Orifice, Gas (#43)	---	---
		Orifice, Gas (#40)	S1-02920423040	S1-02920423040
57	2	Ignitor, Spark, Pilot	S1-02541219000	S1-02541219000
58	2	Switch, Control Rollout	S1-02531812000	S1-02530862000
59	*	Switch, Limit, Auto Reset	S1-02537494000	S1-02531814000
60	2	Burner, Gas	S1-02921180000	S1-02921180000
61	2	Switch, Air Pressure	S1-02435707000	S1-02425975000
62	*	Gasket, High Temp	S1-02811648000	S1-02811648000

ITEM	FIG	DESCRIPTION	D2NQ042D09006A	D2NQ042N06506A	<
Sheet Metal Components					
66	1	Base Rail, Front	S1-07319413000	S1-07319413000	
67	1	Base Rail, Back	S1-07319414000	S1-07319414000	
68	1	Base Rail, Side (2 Req'd)	S1-07319415000	S1-07319415000	
69	1	Post, Corner Assy	S1-37327359000	S1-37327359000	
71	1	Panel, Access, Blower	S1-37314979002	S1-37314979002	
72	1	Panel, Access, Heater	S1-07314981002	S1-07314981002	
73	1	Panel, Duct	S1-37319412007	S1-37319412007	
74	1	Post, Corner Assy, Front	S1-07328306000	S1-07328306000	
75	1	Post, Corner Assy, Left Front	S1-07320121000	S1-07320121000	
76	1	Duct Cover (2 Req'd)	S1-37314853000	S1-37314853000	
77	*	Screen, Flue	S1-02634000000	S1-02634000000	
78	1	Coil Guard, (Front)	S1-37328305000	S1-37328305000	
79	1	Coil Guard, Side	S1-07327320000	S1-07327320000	
80	*	Hood, Flue, Exhaust Outlet	S1-07314988000	S1-07314988000	
81	*	Deflector, Air, Front	S1-07314975000	S1-07314975000	
83	*	Kit, Filter Rack	---	---	
84	*	Filter, Air, Alum.	---	---	
Drain Pan & Accessories					
87	*	Pan, Drain	S1-03200177001	S1-03200177001	
88	*	Plug, Drain Pan	S1-02812480000	S1-02812480000	
89	*	Drain Fitting	S1-7430-3011	S1-7430-3011	
90	*	Tubing, Drain	S1-02815480000	S1-02815480000	

NOTE: *Not Shown
 New replacement parts shown in **bold** face type at the first printing of parts list dated 6/12.
 Major components and suggested stocking items are shown with shaded item number.
 "<" Across from row indicates a change in that row.
 --- Not applicable to specified model.



ITEM	FIG	DESCRIPTION	D2NQ042N06525A	D2NQ042N06546A	D2NQ042N09006A
Compressors					
1	3	Compressor	S1-01504465004	S1-01504466004	S1-01503894004
2	3	Cushion Mount	S1-02810581000	S1-02810581000	S1-02810581000
3	3	Bolt, Compressor	S1-02116047000	S1-02116047000	S1-02116047000
Condensor Fan Motor & Air Moving Components					
5	1	Motor, Fan	S1-02424117003	S1-02425913700	S1-02424117003
6	1	Blade, Fan	S1-02639408000	S1-02639408000	S1-02639408000
7	1	Guard, Fan	S1-02646742000	S1-02646742000	S1-02646742000
8	*	Wireway(26")	S1-02810070000	S1-02810070000	S1-02810070000
9	1	Roof, Condenser	S1-37328308000	S1-37328308000	S1-37328308000
10	*	Kit, Acorn Nut	S1-36390117700	S1-36390117700	S1-36390117700
Indoor Blower Motor & Air Moving Components					
12	1	Motor, Blower, Programmed	S1-02436075211	S1-02436075211	S1-02436075212
		Motor, Blw, Unprogram, w/o Mod	S1-02436075000	S1-02436075000	S1-02436075000
		Module, Programmed (no motor)	S1-02436081211	S1-02436081211	S1-02436081212
		Module, Unprogrammed (no motor)	S1-02436081000	S1-02436081000	S1-02436081000
13	1	Wheel, Blower	Included in item #16	Included in item #16	Included in item #16
14	1	Grommet, Motor Mount (3 Req'd)	S1-02814740000	S1-02814740000	S1-02814740000
15	1	Ferrule, Motor Mount (3 Req'd)	S1-02320541000	S1-02320541000	S1-02320541000
16	1	Housing, Blower	S1-02642533000	S1-02642533000	S1-02642533000
17	1	Assembly, Motor Mount	S1-07328479000	S1-07328479000	S1-07328479000
18	*	Cutoff, Blower	---	---	---
19	1	Plate, Blower	S1-07316301001	S1-07316301001	S1-07316301001
20	1	Switch,Aux Limit, Manual Reset	S1-02531834000	S1-02531834000	S1-02531834000
Electric Box					
22	*	Board, Control, CFM	S1-03103002000	S1-03103002000	S1-03103002000
23	1	Board, Control	S1-03109175000	S1-03109175000	S1-03109175000
24	1	Capacitor, Dual Run	---	---	S1-02425059700
		Capacitor, Single Run	S1-02420045700	S1-02420045700	---
25	1	Transformer	S1-02525973700	S1-02525974700	S1-02518452700
26	1	Contact	S1-02435803000	S1-02435803000	S1-02425840700
27	1	Lug, Electrical	S1-02521798000	S1-02521798000	S1-02521798000
28	1	Assist, Motor Start	---	---	---
29	*	Harness, Wire, Control	S1-02541216000	S1-02541216000	S1-02541216000
30	*	Diagram, Wiring	855354	857271	855070
31	1	Transformer	---	S1-02439924000	---
32	1	Breaker, Circuit	S1-02434532000	S1-02434532000	---
33	1	Block, Terminal	---	S1-02523083000	---
Evaporator Coil, Condensor Coil, and Piping Components					
36	3	Coil, Evaporator	S1-37329032000	S1-37329032000	S1-37329032000
37	3	TXV	S1-02211460000	S1-02211460000	S1-02211460000
38	3	Coil, Condenser	S1-37328296000	S1-37328296000	S1-37328296000
39	3	Switch, High Pressure	S1-02538728000	S1-02538728000	S1-02538728000
40	3	Switch, Low Pressure	S1-02539909000	S1-02539909000	S1-02539909000
41	3	Filter Drier	S1-52634088000	S1-52634088000	S1-52634088000
42	3	Connector Tee, Pres Sw. (2 Req'd)	S1-02322437000	S1-02322437000	S1-02322437000
43	*	Valve, Schraeder (4 Req'd)	S1-02202475700	S1-02202475700	S1-02202475700
44	*	Cap, Seal (2 Req'd)	S1-02310745000	S1-02310745000	S1-02310745000
45	*	TXV, Evap	S1-02541062000	S1-02541062000	S1-02541062000
Heating Section, Vent, Blower, and Gas Control Components					
48	2	Heat Exchanger Assy	S1-37316471703	S1-37316471703	S1-37316471704
49	2	Plate, Restrictor	S1-07319348003	S1-07319348003	S1-07319348004
50	2	Baffle, Restrictor	S1-07314993002	S1-07314993002	S1-07314993002
51	2	Flue, Exhaust	S1-07319344000	S1-07319344000	S1-07319344000
52	2	Blower, Vent	S1-02633999001	S1-02633999001	S1-02633999001
53	2	Gasket, Vent Blower	S1-02812467000	S1-02812467000	S1-02812467000
54	2	Valve, Gas	S1-VR8204M1026	S1-VR8204M1026	S1-VR8204M1026
55	2	Manifold, Gas	S1-02921198000	S1-02921198000	S1-02921198000
56	2	Orifice, Gas (#40)	S1-02920423040	S1-02920423040	S1-02920423040
57	2	Ignitor, Spark, Pilot	S1-02541219000	S1-02541219000	S1-02541219000
58	2	Switch, Control Rollout	S1-02530862000	S1-02530862000	S1-02531812000
59	*	Switch, Limit, Auto Reset	S1-02531814000	S1-02531814000	S1-02530861000
60	2	Burner, Gas	S1-02921180000	S1-02921180000	S1-02921180000
61	2	Switch, Air Pressure	S1-02425975000	S1-02425975000	S1-02425975000
62	*	Gasket, High Temp	S1-02811648000	S1-02811648000	S1-02811648000

NOTE: *Not Shown
New replacement parts shown in **bold** face type at the first printing of parts list dated 11/12.
Major components and suggested stocking items are shown with shaded item number.
"←" Across from row indicates a change in that row.
--- Not applicable to specified model.

ITEM	FIG	DESCRIPTION	D2NQ042N06525A	D2NQ042N06546A	D2NQ042N09006A <
Sheet Metal Components					
66	1	Base Rail, Front	S1-07319413000	S1-07319413000	S1-07319413000
67	1	Base Rail, Back	S1-07319414000	S1-07319414000	S1-07319414000
68	1	Base Rail, Side (2 Req'd)	S1-07319415000	S1-07319415000	S1-07319415000
69	1	Post, Corner Assy	S1-37327359000	S1-37327359000	S1-37327359000
71	1	Panel, Access, Blower	S1-37314979002	S1-37314979002	S1-37314979002
72	1	Panel, Access, Heater	S1-07314981002	S1-07314981002	S1-07314981002
73	1	Panel, Duct	S1-37319412007	S1-37319412007	S1-37319412007
74	1	Post, Corner Assy, Front	S1-07328306000	S1-07328306000	S1-07328306000
75	1	Post, Corner Assy, Left Front	S1-07320121000	S1-07320121000	S1-07320121000
76	1	Duct Cover (2 Req'd)	S1-37314853000	S1-37314853000	S1-37314853000
77	*	Screen, Flue	S1-02634000000	S1-02634000000	S1-02634000000
78	1	Coil Guard, (Front)	S1-37328304000	S1-37328304000	S1-37328305000
79	1	Coil Guard, Side	S1-07327319000	S1-07327319000	S1-07327320000
80	*	Hood, Flue, Exhaust Outlet	S1-07314988000	S1-07314988000	S1-07314988000
81	*	Deflector, Air, Front	---	---	---
83	*	Kit, Filter Rack	S1-37315868000	S1-37317295000	---
84	*	Filter, Air, Alum	S1-02633202006	S1-02533202008	---
Drain Pan & Accessories					
87	*	Pan, Drain	S1-03200177001	S1-03200177001	S1-03200177001
88	*	Plug, Drain Pan	S1-02812480000	S1-02812480000	S1-02812480000
89	*	Drain Fitting	S1-7430-3011	S1-7430-3011	S1-7430-3011
90	*	Tubing, Drain	S1-02815480000	S1-02815480000	S1-02815480000

NOTE: *Not ShownNew replacement parts shown in **bold** face type at the first printing of parts list dated 11/12.Major components and suggested stocking items are shown with shaded item number.

"←" Across from row indicates a change in that row.

--- Not applicable to specified model.

ITEM	FIG	DESCRIPTION	D2NQ042N09025A	D2NQ042N09046A
Compressors				
1	3	Compressor	S1-01504465004	S1-01504466004
2	3	Cushion Mount	S1-02810581000	S1-02810581000
3	3	Bolt, Compressor	S1-02116047000	S1-02116047000
Condensor Fan Motor & Air Moving Components				
5	1	Motor, Fan	S1-02424117003	S1-02425913700
6	1	Blade, Fan	S1-02639408000	S1-02639408000
7	1	Guard, Fan	S1-02646742000	S1-02646742000
8	*	Wireway(26")	S1-02810070000	S1-02810070000
9	1	Roof, Condenser	S1-37328308000	S1-37328308000
10	*	Kit, Acorn Nut	S1-36390117700	S1-36390117700
Indoor Blower Motor & Air Moving Components				
12	1	Motor, Blower, Programmed	S1-02436075212	S1-02436075212
		Motor, Blw, Unprogram, w/o Mod	S1-02436075000	S1-02436075000
		Module, Programmed (no motor)	S1-02436081212	S1-02436081212
		Module, Unprogrammed (no motor)	S1-02436081000	S1-02436081000
13	1	Wheel, Blower	Included in item #16	Included in item #16
14	1	Grommet, Motor Mount (3 Req'd)	S1-02814740000	S1-02814740000
15	1	Ferrule, Motor Mount (3 Req'd)	S1-02320541000	S1-02320541000
16	1	Housing, Blower	S1-02642533000	S1-02642533000
17	1	Assembly, Motor Mount	S1-07328479000	S1-07328479000
18	*	Cutoff, Blower	---	---
19	1	Plate, Blower	S1-07316301001	S1-07316301001
20	1	Switch,Aux Limit, Manual Reset	S1-02531834000	S1-02531834000
Electric Box				
22	*	Board, Control, CFM	S1-03103002000	S1-03103002000
23	1	Board, Control	S1-03109175000	S1-03109175000
24	1	Capacitor, Dual Run	---	---
		Capacitor, Single Run	S1-02420045700	S1-02420045700
25	1	Transformer	S1-02525973700	S1-02525974700
26	1	Contacto	S1-02425840700	S1-02435803000
27	1	Lug, Electrical	S1-02521798000	S1-02521798000
28	1	Assist, Motor Start	---	---
29	*	Harness, Wire, Control	S1-02541216000	S1-02541216000
30	*	Diagram, Wiring	855354	857271
31	1	Transformer	---	S1-02539924000
32	1	Breaker, Circuit	S1-02434532000	S1-02434532000
33	1	Block, Terminal	---	S1-02523083000
Evaporator Coil, Condensor Coil, and Piping Components				
36	3	Coil, Evaporator	S1-37329032000	S1-37329032000
37	3	Distributor Assy (Evap)	S1-02211460000	S1-02211460000
38	3	Coil, Condenser	S1-37328296000	S1-37328296000
39	3	Switch, High Pressure	S1-02538728000	S1-02538728000
40	3	Switch, Low Pressure	S1-02539909000	S1-02539909000
41	3	Filter Drier	S1-52634088000	S1-52634088000
42	3	Connector Tee, Pres Sw. (2 Req'd)	S1-02322437000	S1-02322437000
43	*	Valve, Schraeder (4 Req'd)	S1-02202475700	S1-02202475700
44	*	Cap, Seal (2 Req'd)	S1-02310745000	S1-02310745000
45	*	TXV, Evap	S1-02541062000	S1-02541062000
Heating Section, Vent, Blower, and Gas Control Components				
48	2	Heat Exchanger Assy	S1-37316471704	S1-37316471704
49	2	Plate, Restrictor	S1-07319348004	S1-07319348004
50	2	Baffle, Restrictor	S1-07314993002	S1-07314993002
51	2	Flue, Exhaust	S1-07319344000	S1-07319344000
52	2	Blower, Vent	S1-02633999001	S1-02633999001
53	2	Gasket, Vent Blower	S1-02812467000	S1-02812467000
54	2	Valve, Gas	S1-VR8204M1026	S1-VR8204M1026
55	2	Manifold, Gas	S1-02921198000	S1-02921198000
56	2	Orifice, Gas (#40)	S1-02920423040	S1-02920423040
57	2	Ignitor, Spark, Pilot	S1-02541219000	S1-02541219000
58	2	Switch, Control Rollout	S1-02531812000	S1-02531812000
59	*	Switch, Limit, Auto Reset	S1-02530861000	S1-02530861000
60	2	Burner, Gas	S1-02921180000	S1-02921180000
61	2	Switch, Air Pressure	S1-02425975000	S1-02425975000
62	*	Gasket, High Temp	S1-02811648000	S1-02811648000

NOTE: *Not ShownNew replacement parts shown in **bold** face type at the first printing of parts list dated 11/12.

Major components and suggested stocking items are shown with shaded item number.

"←" Across from row indicates a change in that row.

--- Not applicable to specified model.

ITEM	FIG	DESCRIPTION	D2NQ042N09025A	D2NQ042N09046A	<
Sheet Metal Components					
66	1	Base Rail, Front	S1-07319413000	S1-07319413000	
67	1	Base Rail, Back	S1-07319414000	S1-07319414000	
68	1	Base Rail, Side (2 Req'd)	S1-07319415000	S1-07319415000	
69	1	Post, Corner Assy	S1-37327359000	S1-37327359000	
71	1	Panel, Access, Blower	S1-37314979002	S1-37314979002	
72	1	Panel, Access, Heater	S1-07314981002	S1-07314981002	
73	1	Panel, Duct	S1-37319412007	S1-37319412007	
74	1	Post, Corner Assy, Front	S1-07328306000	S1-07328306000	
75	1	Post, Corner Assy, Left Front	S1-07320121000	S1-07320121000	
76	1	Duct Cover (2 Req'd)	S1-37314853000	S1-37314853000	
77	*	Screen, Flue	S1-02634000000	S1-02634000000	
78	1	Coil Guard, (Front)	S1-37328304000	S1-37328304000	
79	1	Coil Guard, (Side)	S1-07327319000	S1-07327319000	
80	*	Hood, Flue, Exhaust Outlet	S1-07314988000	S1-07314988000	
81	*	Deflector, Air, Front	---	---	
83	*	Kit, Filter Rack	S1-37315868000	S1-37315868000	
84	*	Filter, Air, Alum.	S1-02633202006	S1-02633202006	
Drain Pan & Accessories					
87	*	Pan, Drain	S1-03200177001	S1-03200177001	
88	*	Plug, Drain Pan	S1-02812480000	S1-02812480000	
89	*	Drain Fitting	S1-7430-3011	S1-7430-3011	
90	*	Tubing, Drain	S1-02815480000	S1-02815480000	

NOTE: *Not Shown
 New replacement parts shown in **bold** face type at the first printing of parts list dated 11/12.
 Major components and suggested stocking items are shown with shaded item number.
 "<" Across from row indicates a change in that row.
 --- Not applicable to specified model.



NOTE: The following Lo-Nox Models are identical to the models listed above, except for the addition of the low-nox screens part number S1-02635452000 (1 per burner).

LOW-NOX MODELS
D2NQ042N06506NX
D2NQ042N06525NX
D2NQ042N06546NX
D2NQ042N09006NX
D2NQ042D09006NX
D2NQ042N09025NX
D2NQ042N09046NX

TO ORDER AUTHORIZED FACTORY REPLACEMENT PARTS - Contact your Source1 HVAC Parts Distributor or visit our website at **www.Source1Parts.com** for a Distributor and Dealer listing.

Subject to change without notice. Published in U.S.A.
Copyright © 2012 by Johnson Controls, Inc. All rights reserved.

035-23445-001 Rev. A (1112)
Supersedes: Nothing

York International Corp.
5005 York Drive
Norman, OK 73069