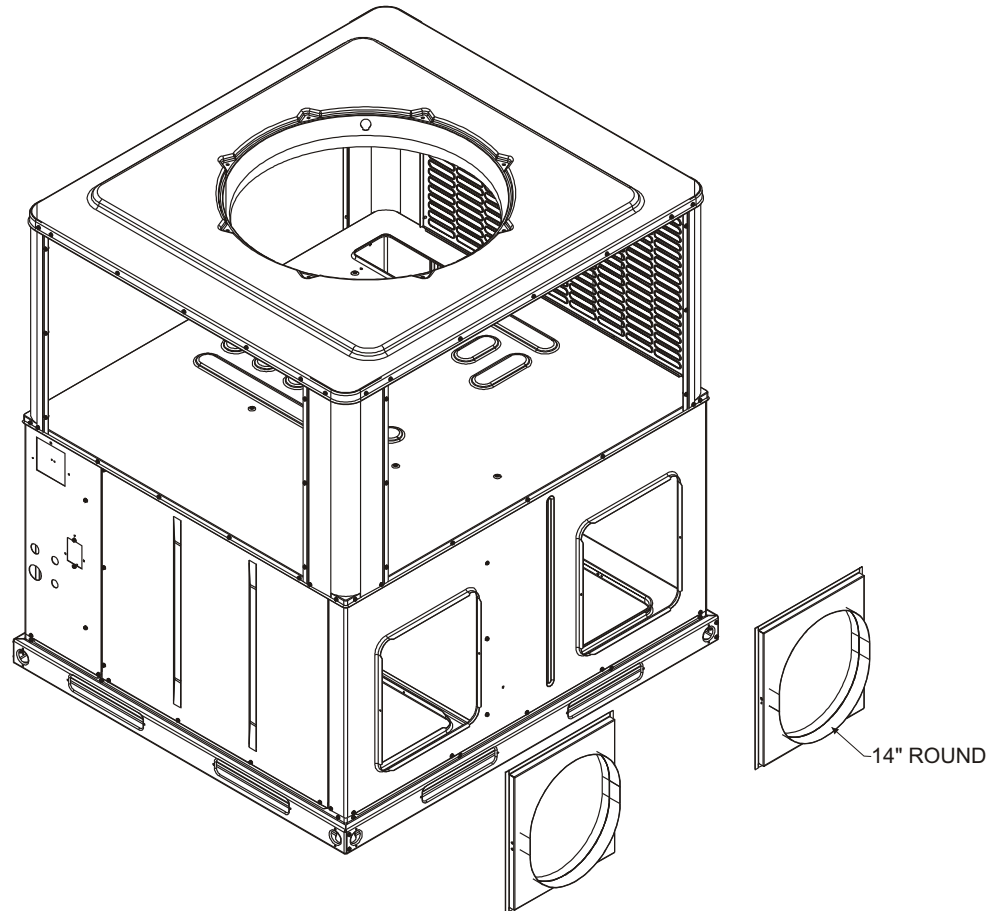


INSTALLATION INSTRUCTIONS

FIELD INSTALLED ROUND TO RECTANGLE ADAPTOR (HORIZONTAL) MODEL# S1-1AK0110 / S1-1AK0111

The Round to Rectangle Adaptor is designed to fit over Horizontal duct opening and convert the square duct connections to the round duct opening.



JCI MODEL#	RRS MODEL#	DUCT SIZE
S1-1AK0110	82-490-49	12" ROUND
S1-1AK0111	82-490-50	14" ROUND

Step 1:

Check for correct part number listed above:

Step 2:

Attach duct adaptor to horizontal duct openings on unit.

Step 3:

Install supply/return duct work to round connection.

Subject to change without notice. Published in U.S.A.
Copyright © 2015 by Johnson Controls, Inc. All rights reserved.

1199091-UAI-B-0615 (YKITAK49)
Supersedes: 1199091-UAI-A-0115

York International Corp.
5005 York Drive
Norman, OK 73069