



www.Source1Parts.com

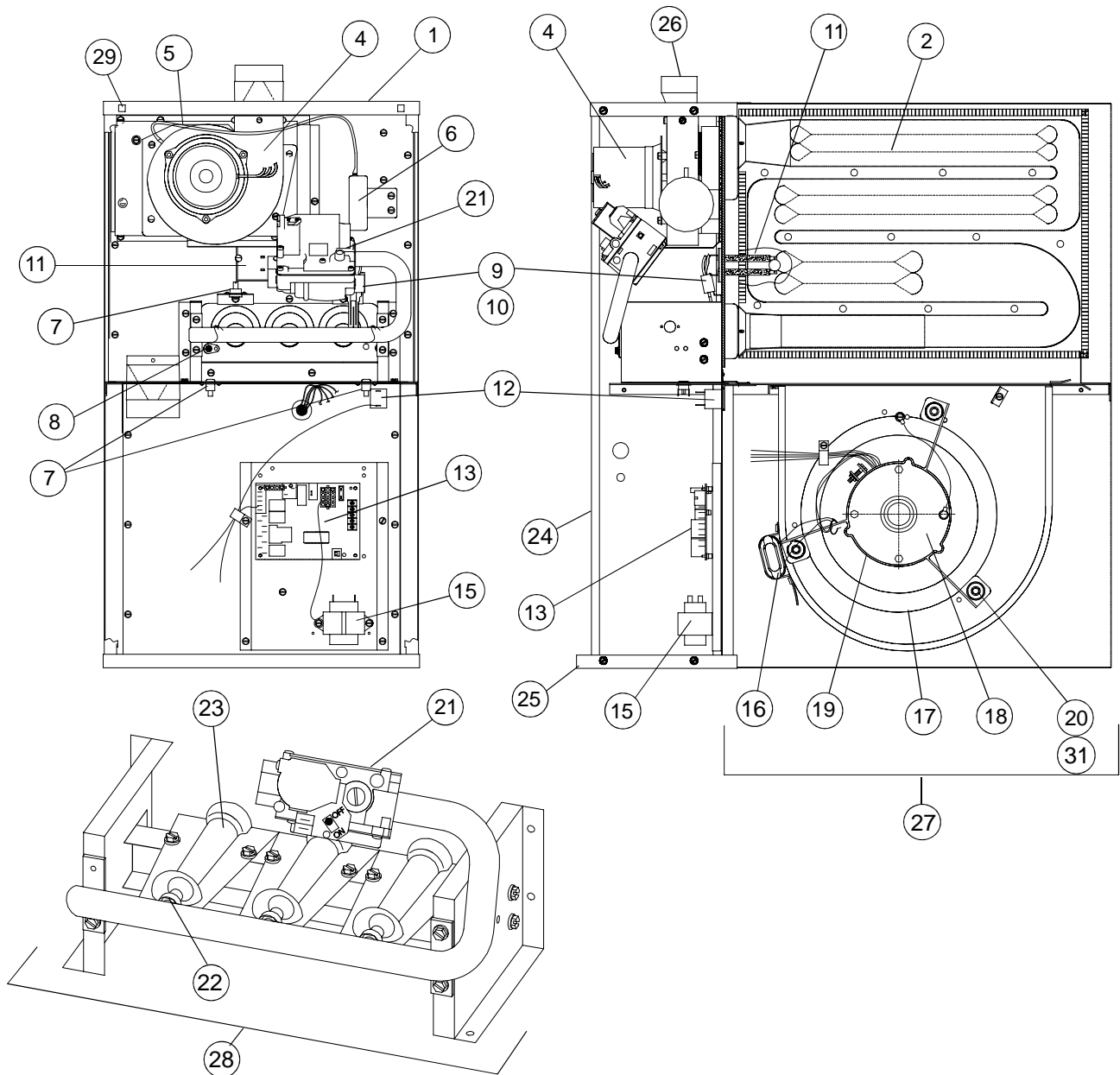
HVAC SERVICE PARTS

# GF8 SERIES CLAM TUBE - (80%) MULTI-POSITION GAS FURNACE (STYLE C)

Supersedes:035-21286-001 Rev. A (1206)

035-21286-001 Rev. B (0507)

1 of 4



ITEM	DESCRIPTION	GF8050B12MU11C	GF8075B12MU11C	GF8075C16MU11C	GF8100C16MU11C
		2 BURNER	3 BURNER	3 BURNER	4 BURNER
1	Casing, Top Cap	S1-3731861041	S1-3731861041	S1-3731861042	S1-3731861042
2	Heat Exchanger Assembly	S1-2702-5031/A	S1-2703-5031/A	S1-2703-5031/A	S1-2704-5031/A
3*	Gasket, Vent Blower	S1-02815484000	S1-02815484000	S1-02815484000	S1-02815484000
4	Blower, Vent	S1-02435330000	S1-02435330000	S1-02435330000	S1-02435330000
5	Tube, Pressure	S1-02812499000	S1-02812499000	S1-02812499000	S1-02812499000
6	Switch, Pressure	S1-02435311000	S1-02435311000	S1-02435311000	S1-02435311000
7	Switch, Roll Out (3 Req'd)	S1-2702-3191	S1-2702-3191	S1-2702-3191	S1-2702-3191
8	Rod, Sensor	S1-2702-311P	S1-2702-311P	S1-2702-311P	S1-2702-311P
9	Ignitor	S1-02532625000	S1-02532625000	S1-02532625000	S1-02532625000
10	Bracket, Ignitor	S1-2702-1311	S1-2702-1311	S1-2702-1311	S1-2702-1311
11	Switch, Limit (Open 140 Deg.)	---	S1-2702-314P/A	---	S1-2702-314P/A
	Switch, Limit (Open 155 Deg.)	S1-2702-315P/A	---	S1-2702-315P/A	---
12	Switch, Door	S1-02427640000	S1-02427640000	S1-02427640000	S1-02427640000
13	Control, Integrated	S1-03109166000	S1-03109166000	S1-03109166000	S1-03109166000
14*	Harness, Wire	S1-2802-4711	S1-2802-4711	S1-2802-4711	S1-2802-4711
15	Transformer (40VA)	S1-2940A3541	S1-2940A3541	S1-2940A3541	S1-2940A3541
16	Capacitor (7.5MFD, 370V)	S1-02420045000	S1-02420045000	---	---
	Capacitor (10MFD, 370V)	---	---	S1-02420046000	S1-02420046000
17	Wheel, Blower	S1-02619654003	S1-02619654003	S1-02619654005	S1-02619654005
18	Motor, Blower	S1-02425110000	S1-02425110000	S1-02427540000	S1-02427540000
19	Mount, 1-PC. Motor	S1-07319831001	S1-07319831001	S1-07319831001	S1-07319831001
20	Motor Mounts, Rubber (3 Req'd)	S1-02814740000	S1-02814740000	S1-02814740000	S1-02814740000
21	Valve, Gas	S1-02537426000	S1-02537426000	S1-02537426000	S1-02537426000
22	Orifice, Gas (Natural-0-2,000 Ft.)	S1-02921182042	S1-02921182042	S1-02921182042	S1-02921182042
	Orifice, Gas (LP-0-2,000 Ft.)	S1-02921182054	S1-02921182054	S1-02921182054	S1-02921182054
	Orifice, Gas (Natural-High Altitude-2,000-5,000 Ft.)	S1-02921182043	S1-02921182043	S1-02921182043	S1-02921182043
	Orifice, Gas (Natural-High Altitude-5,000-7,000 Ft.)	S1-02921182044	S1-02921182044	S1-02921182044	S1-02921182044
	Orifice, Gas (LP-High Altitude-2,000-7,000 Ft.)	S1-02921182055	S1-02921182055	S1-02921182055	S1-02921182055
23	Burner	S1-2702-308P	S1-2702-308P	S1-2702-308P	S1-2702-308P
24	Panel, Door	S1-37319861051	S1-37319861051	S1-37319861052	S1-37319861052
25	Casing, Bottom Cap	S1-37319861031	S1-37319861031	S1-37319861033	S1-37319861033
26	Transition, 3"	S1-2802-306	S1-2802-306	S1-2802-306	S1-2802-306
27	Blower Assembly	S1-37322099039	S1-37322099039	S1-37322099040	S1-37322099040
28	Burner Assembly	S1-2802-5201	S1-2803-5201	S1-2803-5201	S1-2804-5201
29	Clip, Door Latch (2 per pkg)	S1-02131399000	S1-02131399000	S1-02131399000	S1-02131399000
30*	Diagram, Wiring	035-19993-001	035-19993-001	035-19993-001	035-19993-001
31	Spacer (Ferrule) (3 Req'd)	S1-02320541000	S1-02320541000	S1-02320541000	S1-02320541000
32	Wrapper, Casing	S1-07319861021	S1-07319861021	S1-07319861022	S1-07319861022
33	Manifold, Gas	S1-02922240001	S1-02922240001	S1-02922240001	S1-02922240002
34*	Logo/Bezel Plate Assy	S1-37323701004	S1-37323701004	S1-37323701004	S1-37323701004
35*	Blower Housing	S1-37323900000	S1-37323900000	S1-37323900000	S1-37323900000

**NOTE:** \*Not Shown

New replacement parts shown in **bold** face type at the first printing of parts list dated 5/07.

Major components and suggested stocking items are shown with shaded item number.

"<" Across from row indicates a change in that row.

--- Not applicable to specified model.

All parts with three digit suffix numbers are "Special Order" parts. These parts are subject to factory availability and require extra time for delivery.

ITEM	DESCRIPTION	GF8100D20MU11C	GF8125D20MU11C	GF8150D20UH11C
		4 BURNER	5 BURNER	6 BURNER
1	Casing, Top Cap	S1-07319861043	S1-07319861043	S1-07319861044
2	Heat Exchanger Assembly	S1-2704-5031/A	S1-2805-5031	S1-2706-5031/A
3*	Gasket, Vent Blower	S1-02815484000	S1-02815484000	S1-02815484000
4	Blower, Vent	S1-02435330000	S1-02435330000	S1-02435330000
5	Tube, Pressure	S1-02812499000	S1-02812499000	S1-02812499000
6	Switch, Pressure	S1-02435311000	S1-02435311000	S1-02435311000
7	Switch, Roll Out (3 Req'd)	S1-2702-3191	S1-2702-3191	S1-2702-3191
8	Rod, Sensor	S1-2702-311P	S1-2702-311P	S1-2702-311P
9	Ignitor	S1-02532625000	S1-02532625000	S1-02532625000
10	Bracket, Ignitor	S1-2702-1311	S1-2702-1311	S1-2702-1311
11	Switch, Limit (Open 175 deg.)	S1-2702-316P/A	S1-2702-316P/A	S1-2702-316P/A
12	Switch, Door	S1-02427640000	S1-02427640000	S1-02427640000
13	Control, Integrated	S1-03109166000	S1-03109166000	S1-03109166000
14*	Harness, Wire	S1-2805-4711	S1-2805-4711	S1-2806-4711
15	Transformer (40VA)	S1-2940A3541	S1-2940A3541	S1-2940A3541
16	Capacitor (15MFD, 370V)	S1-02420446000	S1-02420446000	S1-02420446000
17	Wheel, Blower #See Note Below	S1-1472-2851 S1-1472-2861	S1-1472-2851 S1-1472-2861	S1-1472-2851 S1-1472-2861
18	Motor, Blower	S1-024-34491-000	S1-024-34491-000	S1-024-34491-000
19	Mount Assy, Motor	2705-4181	2705-4181	2705-4181
20	Motor Mounts, Rubber (3 per pkg.)	7670-3551	7670-3551	7670-3551
21	Valve, Gas	025-37426-000	025-37426-000	025-37426-000
22	Orifice, Gas (Natural-0-2,000 Ft.)	S1-02921182042	S1-02921182042	S1-02921182042
	Orifice, Gas (LP-0-2,000 Ft.)	S1-02921182054	S1-02921182054	S1-02921182054
	Orifice, Gas (Natural-High Altitude-2,000-5,000 Ft.)	S1-02921182043	S1-02921182043	S1-02921182043
	Orifice, Gas (Natural-High Altitude-5,000-7,000 Ft.)	S1-02921182044	S1-02921182044	S1-02921182044
	Orifice, Gas (LP-High Altitude-2,000-7,000 Ft.)	S1-02921182055	S1-02921182055	S1-02921182055
23	Burner	S1-2702-308P	S1-2702-308P	S1-2702-308P
24	Panel, Door	S1-37319861053	S1-37319861053	S1-37319861053
25	Casing, Bottom Cap	S1-37319861033	S1-37319861033	S1-37319861033
26	Transition, 3"	S1-2802-306	S1-2802-306	---
	Transition, 4"	---	---	S1-2703-3061/A
27	Blower Assembly	S1-37322099042	S1-37322099042	S1-37322099042
28	Burner Assembly	S1-2804-520	S1-2805-520	S1-2806-520
29	Clip, Door Latch (2 per pkg)	S1-02131399000	S1-02131399000	S1-02131399000
30*	Diagram, Wiring	035-19993-001	035-19993-001	035-19993-001
31	Spacer (Ferrule) (3 Req'd)	---	---	---
32	Wrapper, Casing	S1-07319861023	S1-07319861023	S1-07319861023
33	Manifold, Gas	S1-02922240003	S1-02922240004	S1-02922240002
34*	Logo/Bezel Plate Assy	S1-37323701004	S1-37323701004	S1-37323701004
35*	Blower Housing	S1-37323902000	S1-37323902000	S1-37323902000

**NOTE:** \*Not ShownNew replacement parts shown in **bold** face type at the first printing of parts list dated 5/07.

Major components and suggested stocking items are shown with shaded item number.

"←" Across from row indicates a change in that row.

--- Not applicable to specified model.

# Both Blower Wheels are used on these Models.

All parts with three digit suffix numbers are "Special Order" parts. These parts are subject to factory availability and require extra time for delivery.

**TO ORDER AUTHORIZED FACTORY REPLACEMENT PARTS** - Contact your Source1 HVAC Parts Distributor or visit our website at [www.Source1Parts.com](http://www.Source1Parts.com) for a Distributor and Dealer listing.