



www.Source1Parts.com

# FC9M SERIES MODULATING CONDENSING UPFLOW NATURAL GAS FURNACES (STYLE A)

HVAC SERVICE PARTS

Supersedes: 035-21212-001 Rev. D (0708)

035-21212-001 Rev. E (0612)

1 of 8

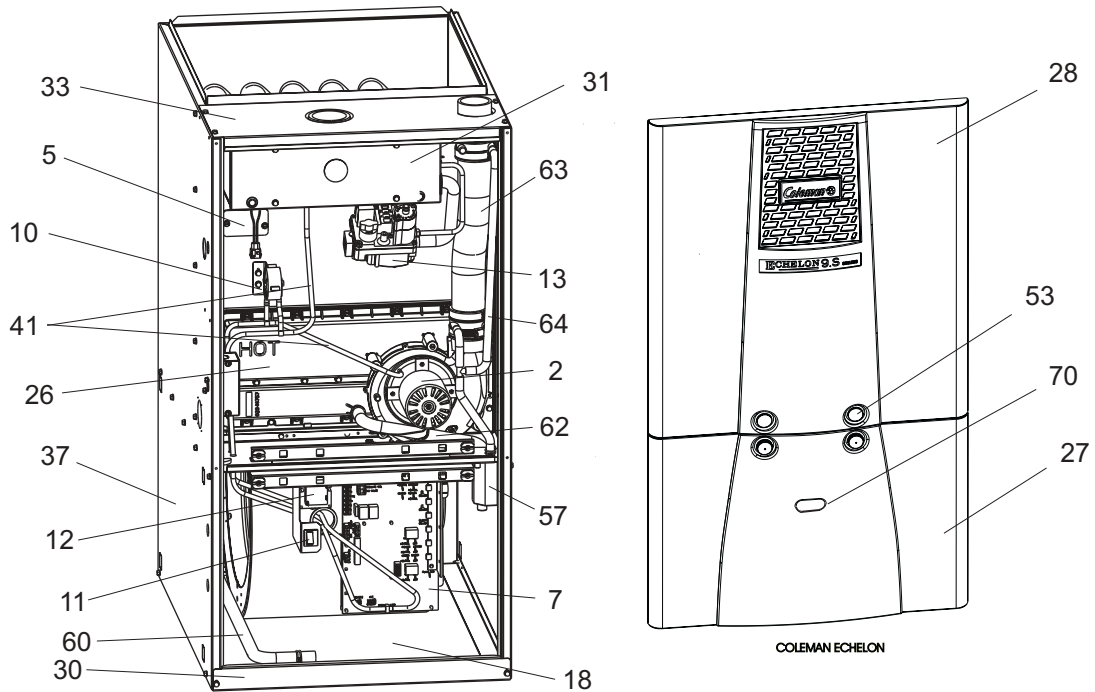


Figure 1: MODULATING CONDENSING UPFLOW NATURAL GAS FURNACES

FIG	ITEM	DESCRIPTION	FC9M060B12UP11A	FC9M080B12UP11A	FC9M080C16UP11A
			(3 BURNER)	(4 BURNER)	(4 BURNER)
<b>MOTOR</b>					
2	1	MOTOR, MODULATING FURNACE	S1-02435647000	S1-02435647000	S1-02432055000
1,2	2	MOTOR, INDUCER ASS'Y	S1-32435817000	S1-32435817000	S1-32435817000
<b>ELECTRICAL</b>					
2	3	CAPACITOR, RUN (10MFD/370V)	S1-02420046000	S1-02420046000	S1-02420046000
2	4	SWITCH, LIMIT (INDUCER)	S1-02538737000	S1-02538737000	S1-02538737000
1	5	LIMIT, TEMPERATURE (Primary)	S1-02529041012	S1-02529041012	S1-02529041012
3	6	LIMIT, FLAME ROLL-OUT	S1-02527792001	S1-02527792001	S1-02527792001
1	7	CONTROL, FURNACE MODULATING	S1-03109140000	S1-03109140000	S1-03109140000
3	8	IGNITER	S1-02532625000	S1-02532625000	S1-02532625000
3	9	SENSOR, FLAME	S1-02537499000	S1-02537499000	S1-02537499000
1	10	SWITCH, PRESSURE	S1-02435308000	S1-02435308000	S1-02435308000
1	11	SWITCH, DOOR	S1-02427640000	S1-02427640000	S1-02427640000
1	12	TRANSFORMER	S1-02530889000	S1-02530889000	S1-02530889000
1,3	13	VALVE, GAS	S1-02538975000	S1-02538975000	S1-02538975000
2	14	SENSOR, THERMISTOR	S1-03109141000	S1-03109141000	S1-03109141000
<b>AIR MOVING</b>					
2	15	HOUSING, BLOWER	S1-37323724001	S1-37319812751	S1-37323746001
2	16	WHEEL, BLOWER	S1-02619654009	S1-02619654009	S1-02619654014
*	17	BRACKET, BLOWER MOUNTING (2 Req'd)	S1-07323778001	S1-07323778001	S1-07323778001

NOTE: \*Not Shown

New replacement parts shown in **bold** face type at the first printing of parts list dated 6/12.

Major components and suggested stocking items are shown with shaded item number.

"<" Across from row indicates a change in that row.

--- Not applicable to specified model.

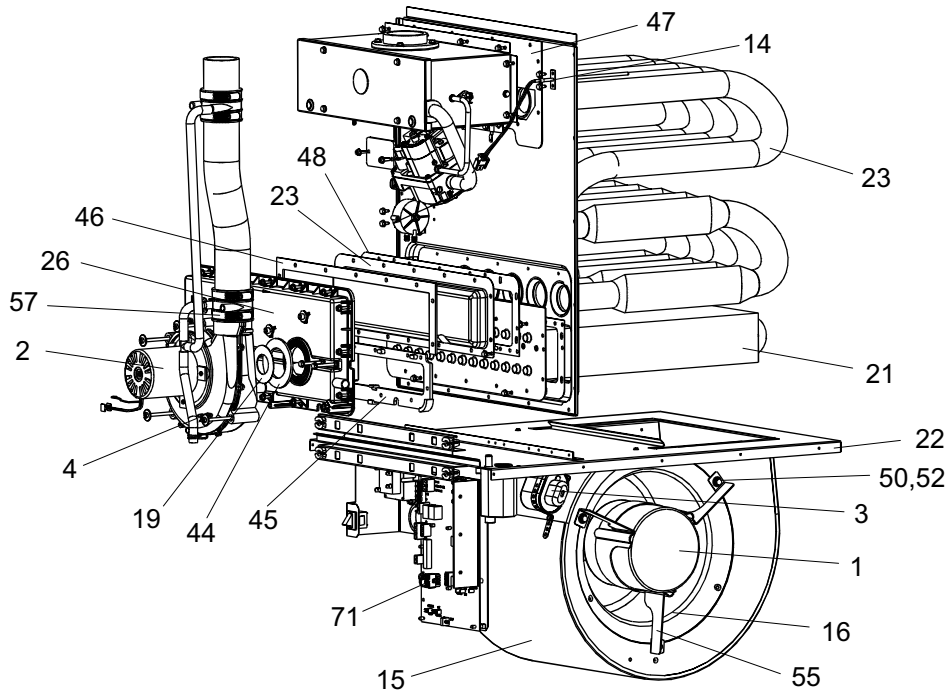


Figure 2: MODULATING CONDENSING UPFLOW NATURAL GAS FURNACES

FIG	ITEM	DESCRIPTION	FC9M060B12UP11A	FC9M080B12UP11A	FC9M080C16UP11A
			(3 BURNER)	(4 BURNER)	(4 BURNER)
<b>FABRICATED PARTS</b>					
1	18	PANEL, BLOCK-OFF	S1-07319812090	S1-07319812090	S1-07319816090
2	19	COMBUSTION BLWR RESTRICTOR	S1-02815163000	---	S1-02815164000
3	20	BURNER, MAIN GAS	S1-02920482000	S1-02920482000	S1-02920482000
2	21	COIL, CONDENSING	S1-37319812801	S1-37319812801	S1-37319816801
2	22	SHELF, BLOWER	S1-07323783001	S1-07323783001	S1-07323783002
2	23	HEAT EXCHANGER ASS'Y	S1-37323785001	S1-37323785002	S1-37323785003
3	24	MANIFOLD, GAS	S1-02922253030	S1-02922253030	S1-02922253040
2	25	SHIELD, PAN	S1-07319812560	S1-07319812560	S1-07319816560
1,2	26	CONDENSATE PAN	S1-02814756001	S1-02814756001	S1-02814757001
1	27	PANEL, BLOWER ACCESS (Magnet)	S1-37323801022	S1-37323801022	S1-37323801023
1	28	ACCESS PANEL, UPPER (Magnet)	S1-37323801058	S1-37323801058	S1-37323801059
3	29	WRAPPER, BURNER BOX	S1-07319811030	S1-07319811040	S1-07319811040
1	30	CHANNEL, TOE PLATE	S1-07319862052	S1-07319862052	S1-07319862053
1,3	31	COVER, GAS CONTROL	S1-37322155002	S1-37322155002	S1-37322155003
3	32	BOTTOM PANEL, BURNER BOX	S1-07319811130	S1-07319811140	S1-07319811140
1	33	PANEL, TOP	S1-07323753002	S1-07323753003	S1-07323753004
3	34	SUPPORT, BURNER	S1-07319811330	S1-07319811340	S1-07319811340
1	35	PLATE, DIFFUSER	S1-07314566002	S1-07314566003	S1-07314566003
3	36	BRACKET, IGNITER	S1-07317403000	S1-07317403000	S1-07317403000
1	37	WRAPPER, INSULATED	S1-37319812141	S1-37319812141	S1-37319816141
	38				

NOTE: \*Not Shown  
 New replacement parts shown in **bold** face type at the first printing of parts list dated 6/12.  
 Major components and suggested stocking items are shown with shaded item number.  
 "<" Across from row indicates a change in that row.  
 --- Not applicable to specified model.

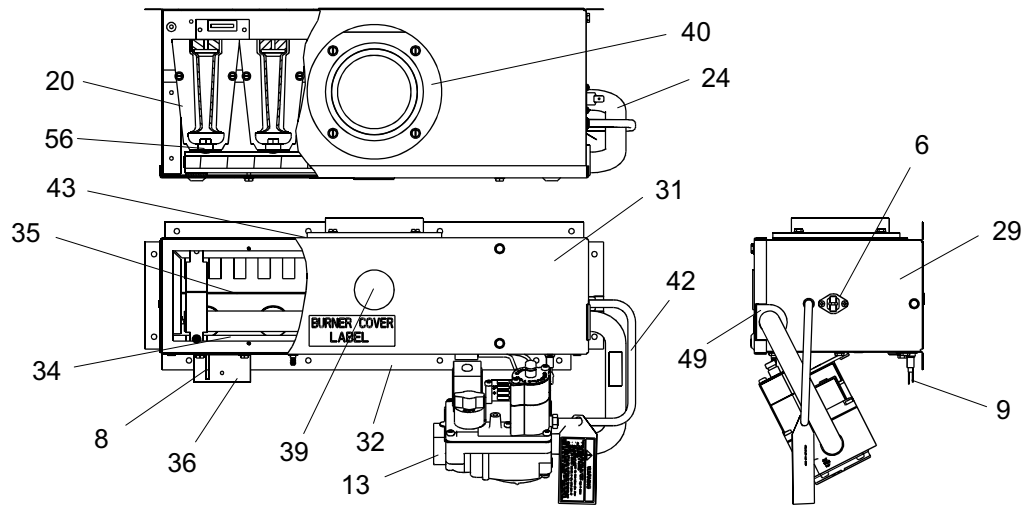


Figure 3: GAS CONTROLS

FIG	ITEM	DESCRIPTION	FC9M060B12UP11A	FC9M080B12UP11A	FC9M080C16UP11A
			(3 BURNER)	(4 BURNER)	(4 BURNER)
<b>MISCELLANEOUS</b>					
3	39	PLUG, WINDOW, CLEAR -1.5"	S1-02537005000	S1-02537005000	S1-02537005000
3	40	CONNECTOR AIR INTAKE 2"	S1-02811289000	S1-02811289000	S1-02811289000
1	41	HOSE ASSEMBLY, VACUM (2 Req'd)	S1-02815235000	S1-02815235000	S1-02815235000
1,3	42	TUBING, PREFORMED	S1-02815170000	S1-02815170000	S1-02815170000
3	43	GASKET, AIR INTAKE	S1-02812460001	S1-02812460001	S1-02812460001
2	44	GASKET, COMBUSTION BLOWER	S1-02814767000	S1-02814767000	S1-02814767000
2	45	GASKET, CONDENSATE PAN	S1-02814759002	S1-02814759002	S1-02814759003
2	46	GASKET, UPPER CONDENSATE PAN	S1-02814773000	S1-02814773000	S1-02814774000
2	47	GASKET, GAS CONTROLS	S1-02815222000	S1-02815222000	S1-02815223000
2	48	GASKET (COND. COIL/LOWER PAN) (2 Req'd)	S1-02814760002	S1-02814760002	S1-02814760003
3	49	GROMMET, MANIFOLD SEAL	S1-02812465000	S1-02812465000	S1-02812465000
2	50	GROMMET, MOTOR (3 Req'd)	S1-02814740000	S1-02814740000	S1-02814740000
*	51	GROMMET, 1/2" DIA.	S1-02530823000	S1-02530823000	S1-02530823000
2	52	FERRULE, MOTOR MOUNT(3 Req'd)	S1-02320541000	S1-02320541000	S1-02320541000
1	53	DOOR KNOB, RED (4 Req'd) (Magnet)	S1-02924411000	S1-02924411000	S1-02924411000
*	54	HARNESS, MAIN WIRING	S1-02538976000	S1-02538976000	S1-02538976000
2	55	MOUNT, 1 PC. MOTOR	S1-07319831001	S1-07319831001	S1-07319831001
3	56	ORIFICE, BURNER (Natural #45)	S1-02921182045	S1-02921182045	S1-02921182045
1	57	TRAP, CONDENSATE	S1-02814762000	S1-02814762000	S1-02814762000
*	58	WIRING DIAGRAM	157556	157556	157556
2	59	DRAIN ASSY, INDUCER EXHAUST	S1-02815229000	S1-02815229000	S1-02815229000
1	60	DRAIN TUBE, CONDENSATE TRAP	S1-02813309004	S1-02813309004	S1-02813309004
1	61	DRAIN TUBE, COMBUSTION BLOWER	S1-02814764000	S1-02814764000	S1-02814764000
1	62	DRAIN TUBE, CONDENSATE PAN	S1-02814763000	S1-02814763000	S1-02814763000
1	63	VENT TUBE	S1-02815226000	S1-02815226000	S1-02815226000
1	64	DRAIN ASSY, DOUBLE GUTTER	S1-02815227000	S1-02815227000	S1-02815227000
*	65	LOCKNUT, CONDUIT (1/2")	S1-02532683000	S1-02532683000	S1-02532683000
*	66	ADAPTER, INSERT	S1-02531808000	S1-02531808000	S1-02531808000
*	67	BUSHING, THREADED	S1-02531807000	S1-02531807000	S1-02531807000
*	68	WASHER, FLAT FIBERGLASS (2 Req'd)	S1-02814768000	S1-02814768000	S1-02814768000
*	69	2" PVC	S1-02815228000	S1-02815228000	S1-02815228000
1	70	SIGHT GLASS, OVAL	S1-02538899000	S1-02538899000	S1-02538899000
2	71	JUMPER PLUG	S1-02539853000	S1-02539853000	S1-02539853000
*	72	INSERT, SILICONE	S1-02815455000	S1-02815455000	S1-02815456000
*	73	MAGNET, DOOR (4 Req'd)	S1-02924413000	S1-02924413000	S1-02924413000

NOTE: \*Not Shown  
 New replacement parts shown in **bold** face type at the first printing of parts list dated 6/12.  
 Major components and suggested stocking items are shown with shaded item number.  
 "<" Across from row indicates a change in that row.  
 --- Not applicable to specified model.



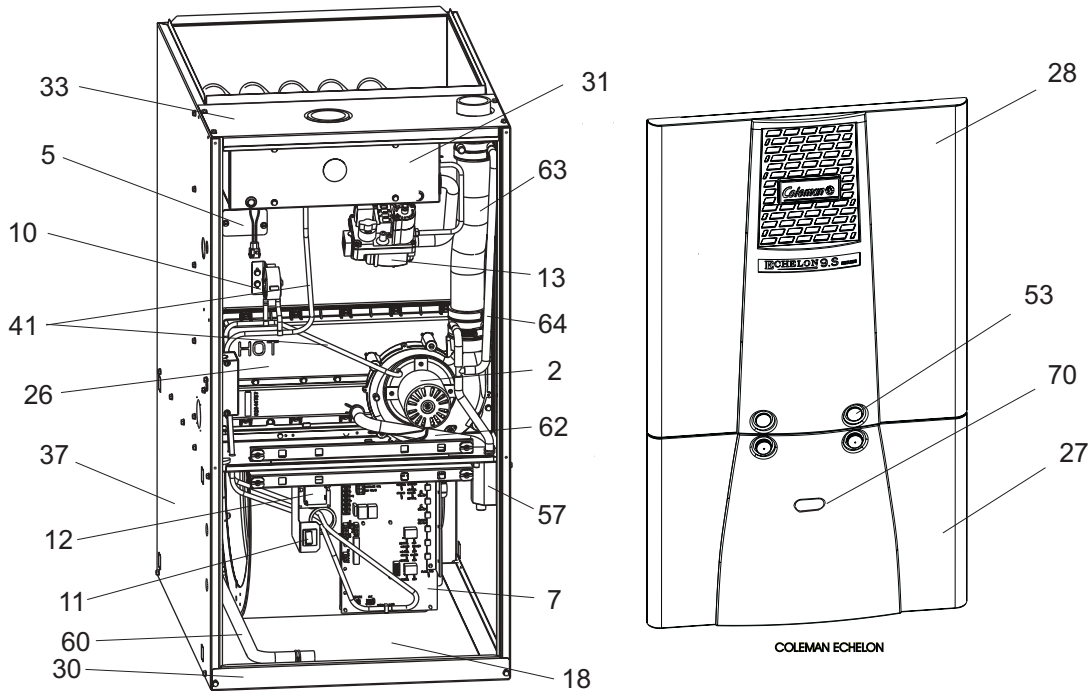


Figure 1: MODULATING CONDENSING UPFLOW NATURAL GAS FURNACES

FIG	ITEM	DESCRIPTION	FC9M100C16UP11A	FC9M100C20UP11A	FC9M120D20UP11A
			(5 BURNER)	(5 BURNER)	(6 BURNER)
<b>MOTOR</b>					
2	1	MOTOR, MODULATING FURNACE	S1-02435306000	S1-02435307000	S1-02435307000
1,2	2	MOTOR, INDUCER ASS'Y	S1-32435817000	S1-32435817000	S1-32435817000
<b>ELECTRICAL</b>					
2	3	CAPACITOR (10MFD/370V)	S1-02420046000	---	---
		CAPACITOR (15MFD/370V)	---	S1-02425900000	S1-02425900000
2	4	SWITCH, LIMIT (INDUCER)	S1-02538737000	S1-02538737000	S1-02538737000
1	5	LIMIT, TEMPERATURE (Primary)	S1-02529041001	S1-02529041012	S1-02529041001
3	6	LIMIT, FLAME ROLL-OUT	S1-02527792001	S1-02527792001	S1-02527792001
1	7	CONTROL, MODULATING	S1-03109140000	S1-03109140000	S1-03109140000
3	8	IGNITER	S1-02532625000	S1-02532625000	S1-02532625000
3	9	SENSOR, FLAME	S1-02537499000	S1-02537499000	S1-02537499000
1	10	SWITCH, PRESSURE	S1-02435308000	S1-02435308000	S1-02435308000
1	11	SWITCH, DOOR	S1-02427640000	S1-02427640000	S1-02427640000
1	12	TRANSFORMER	S1-02530889000	S1-02530889000	S1-02530889000
1,3	13	VALVE, GAS	S1-02538975000	S1-02538975000	S1-02538975000
2	14	SENSOR, THERMISTOR	S1-03109141000	S1-03109141000	S1-03109141000
<b>AIR MOVING</b>					
2	15	HOUSING, BLOWER	S1-37323746001	S1-37323747001	S1-37323747001
2	16	WHEEL, BLOWER	S1-02619654014	S1-02638510000	S1-02638510000
*	17	BRACKET, BLOWER MOUNTING (2 Req'd)	S1-07323778001	S1-07323778001	S1-07323778001

NOTE: \*Not Shown  
 New replacement parts shown in **bold** face type at the first printing of parts list code dated 6/12.  
 Major components and suggested stocking items are shown with shaded item number.  
 "<" Across from row indicates a change in that row.  
 --- Not applicable to specified model.

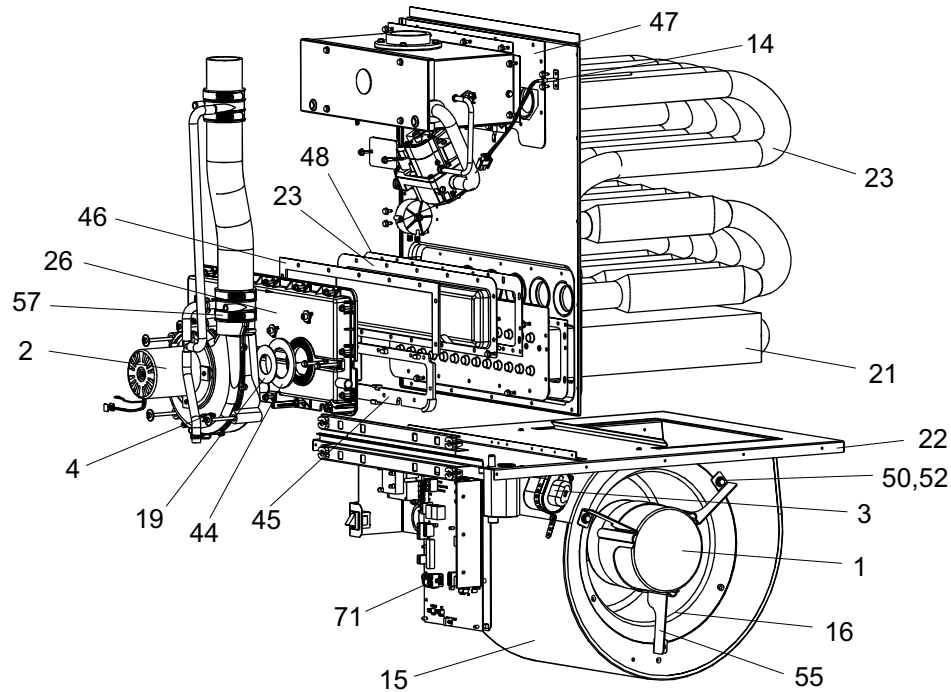


Figure 2: MODULATING CONDENSING UPFLOW NATURAL GAS FURNACES

FIG	ITEM	DESCRIPTION	FC9M100C16UP11A	FC9M100C20UP11A	FC9M120D20UP11A
			(5 BURNER)	(5 BURNER)	(6 BURNER)
<b>FABRICATED PARTS</b>					
1	18	PANEL, BLOCK-OFF	S1-07319816090	S1-07319816090	S1-07319820090
2	19	COMBUSTION BLWR RESTRICTOR	---	---	---
3	20	BURNER, MAIN GAS	S1-02920482000	S1-02920482000	S1-02920482000
2	21	COIL, CONDENSING	S1-37319816801	S1-37319816801	S1-37319820801
2	22	SHELF, BLOWER	S1-07323783002	S1-07323783002	S1-07323783004
2	23	HEAT EXCHANGER ASS'Y	S1-37323784004	S1-37323784004	S1-37323784005
3	24	MANIFOLD, GAS	S1-02922253050	S1-02922253050	S1-02922253046
2	25	SHIELD, PAN	S1-07319816560	S1-07319816560	S1-07319820560
1,2	26	CONDENSATE PAN	S1-02814757001	S1-02814757001	S1-02814758002
1	27	PANEL, BLOWER ACCESS (Magnet)	S1-37323801023	S1-37323801023	S1-37323801024
1	28	ACCESS PANEL, UPPER (Magnet)	S1-37323801059	S1-37323801059	S1-37323801060
3	29	WRAPPER, BURNER BOX	S1-07319811050	S1-07319811050	S1-07319811060
1	30	CHANNEL, TOE PLATE	S1-07319862053	S1-07319862053	S1-07319862054
1,3	31	COVER, GAS CONTROL	S1-37322155004	S1-37322155004	S1-37322155005
3	32	BOTTOM PANEL, BURNER BOX	S1-07319811150	S1-07319811150	S1-07319811160
1	33	PANEL, TOP	S1-07323753005	S1-07323753005	S1-07319815086
3	34	SUPPORT, BURNER	S1-07319811340	S1-07319811340	S1-07319811360
1	35	PLATE, DIFFUSER	S1-07314566003	S1-07314566003	S1-07314566005
3	36	BRACKET, IGNITER	S1-07317403000	S1-07317403000	S1-07317403000
1	37	WRAPPER, INSULATED	S1-37319816141	S1-37319816141	S1-37319820141
	38				

NOTE: \*Not Shown  
 New replacement parts shown in **bold** face type at the first printing of parts list dated 6/12.  
 Major components and suggested stocking items are shown with shaded item number.  
 "<" Across from row indicates a change in that row.  
 --- Not applicable to specified model.



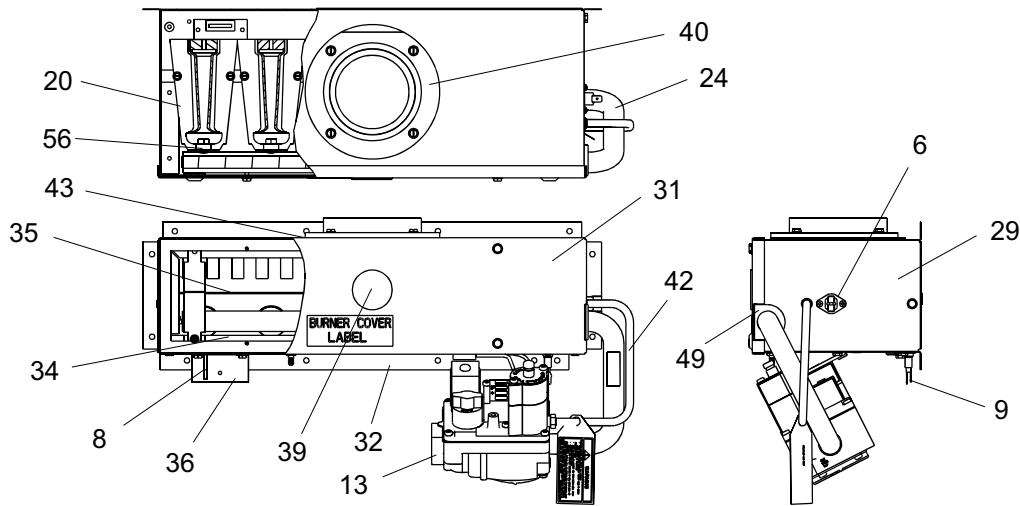


Figure 3: GAS CONTROLS

FIG	ITEM	DESCRIPTION	FC9M100C16UP11A	FC9M100C20UP11A	FC9M120D20UP11A
			(5 BURNER)	(5 BURNER)	(6 BURNER)
<b>MISCELLANEOUS</b>					
3	39	PLUG, WINDOW, CLEAR -1.5"	S1-02537005000	S1-02537005000	S1-02537005000
3	40	CONNECTOR AIR INTAKE 2"	S1-02811289000	S1-02811289000	S1-02811289000
1	41	HOSE ASSEMBLY, VACUM (2 Req'd)	S1-02815235000	S1-02815235000	S1-02815235000
1,3	42	TUBING, PREFORMED	S1-02815170000	S1-02815170000	S1-02815170000
3	43	GASKET, AIR INTAKE	S1-02812460001	S1-02812460001	S1-02812460002
2	44	GASKET, COMBUSTION BLOWER	S1-02814767000	S1-02814767000	S1-02814767000
2	45	GASKET, CONDENSATE PAN	S1-02814759003	S1-02814759003	S1-02814759004
2	46	GASKET, UPPER CONDENSATE PAN	S1-02814774000	S1-02814774000	S1-02814775000
2	47	GASKET, GAS CONTROLS	S1-02815224000	S1-02815224000	S1-02815225000
2	48	GASKET (COND. COIL/LOWER PAN) (2 Req'd)	S1-02814760003	S1-02814760003	S1-02814760004
3	49	GROMMET, MANIFOLD SEAL	S1-02812465000	S1-02812465000	S1-02812465000
2	50	GROMMET, MOTOR (3 Req'd)	S1-02814740000	S1-02814740000	S1-02814740000
*	51	GROMMET, 1/2" DIA.	S1-02530823000	S1-02530823000	S1-02530823000
2	52	FERRULE, MOTOR MOUNT(3 Req'd)	S1-02320541000	S1-02320541000	S1-02320541000
1	53	DOOR KNOB, RED (4 Req'd) (Magnet)	S1-02924411000	S1-02924411000	S1-02924411000
*	54	HARNESS, MAIN WIRING	S1-02538976000	S1-02538976000	S1-02538976000
2	55	MOUNT, 1 PC. MOTOR	S1-07319831001	S1-07319831001	S1-07319831001
3	56	ORIFICE, BURNER (Natural #45)	S1-02921182045	S1-02921182045	S1-02921182045
1	57	TRAP, CONDENSATE	S1-02814762000	S1-02814762000	S1-02814762000
*	58	WIRING DIAGRAM	157556	157556	157556
2	59	DRAIN ASSY, INDUCER EXHAUST	S1-02815229000	S1-02815229000	S1-02815229000
1	60	DRAIN TUBE, CONDENSATE TRAP	S1-02813309004	S1-02813309004	S1-02813309004
*	61	DRAIN TUBE, COMBUSTION BLOWER	S1-02814764000	S1-02814764000	S1-02814764000
1	62	DRAIN TUBE, CONDENSATE PAN	S1-02814763000	S1-02814763000	S1-02814763000
1	63	VENT TUBE	S1-02815226000	S1-02815226000	S1-02815226000
1	64	DRAIN ASSY, DOUBLE GUTTER	S1-02815227000	S1-02815227000	S1-02815227000
*	65	LOCKNUT, CONDUIT (1/2")	S1-02532683000	S1-02532683000	S1-02532683000
*	66	ADAPTER, INSERT	S1-02531808000	S1-02531808000	S1-02531808000
*	67	BUSHING, THREADED	S1-02531807000	S1-02531807000	S1-02531807000
*	68	WASHER, FLAT FIBERGLASS (2 Req'd)	S1-02814768000	S1-02814768000	S1-02814768000
*	69	2" PVC	S1-02815228000	S1-02815228000	S1-02815228000
*	70	SIGHT GLASS, OVAL	S1-02538899000	S1-02538899000	S1-02538899000
2	71	JUMPER PLUG	S1-02539877000	S1-02539877000	S1-02539877000
*	72	INSERT, SILICONE	S1-02815456000	S1-02815456000	S1-02815457000
*	73	MAGNET, DOOR (4 Req'd)	S1-02924413000	S1-02924413000	S1-02924413000

NOTE: \*Not Shown  
 New replacement parts shown in **bold** face type at the first printing of parts list dated 6/12.  
 Major components and suggested stocking items are shown with shaded item number.  
 "←" Across from row indicates a change in that row.  
 --- Not applicable to specified model.

**NOTES**

**TO ORDER AUTHORIZED FACTORY REPLACEMENT PARTS** - Contact your Source1 HVAC Parts Distributor or visit our website at **[www.Source1Parts.com](http://www.Source1Parts.com)** for a Distributor and Dealer listing.

Subject to change without notice. Printed in U.S.A.  
Copyright © 2012 by Johnson Controls, Inc. All rights reserved.

035-21212-001 Rev. E (0612)  
Supersedes: 035-21212-001 Rev. D (0708)

---

**Johnson Controls Unitary Products**  
**5005 York Drive**  
**Norman, OK 73069**