



www.Source1Parts.com

TM9T SERIES 96% TWO STAGE MULT-POSITION 33" NATURAL GAS FURNACES (STYLE A)

HVAC SERVICE PARTS

Supersedes: 035-22270-001 Rev. D (0812)

035-22270-001 Rev. E (0113)

1 of 4

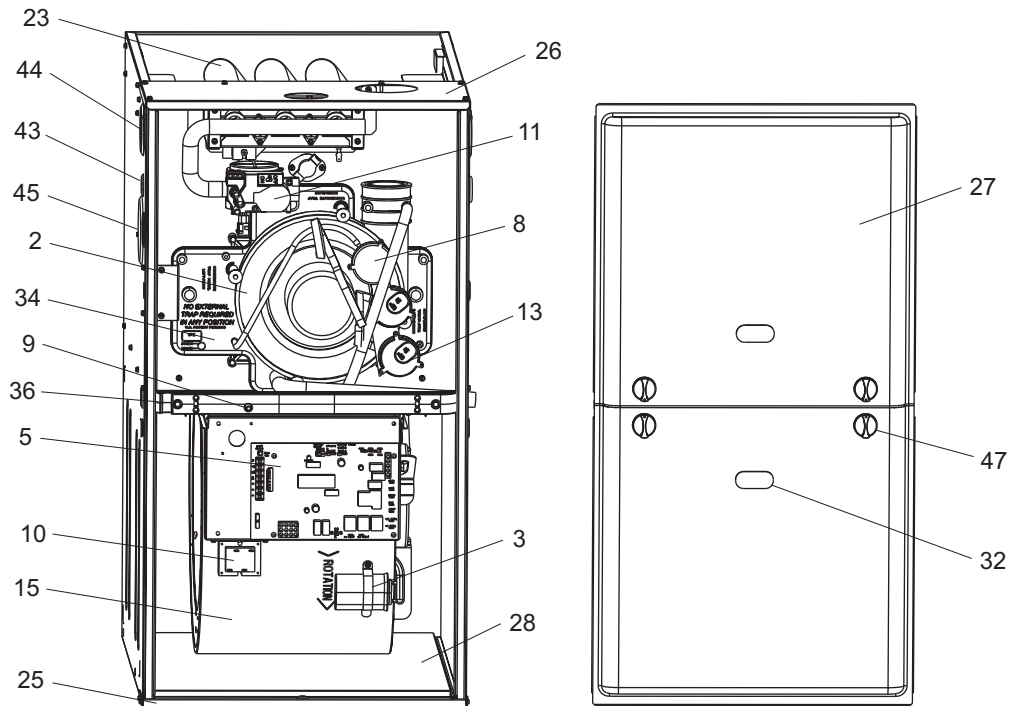


Figure 1: 96% TWO STAGE MULTI-POSITION NATURAL GAS FURNACES

FIG	ITEM	DESCRIPTION	TM9T060B12MP11A	TM9T080B12MP11A	TM9T080C16MP11A
			(3 BURNER)	(4 BURNER)	(4 BURNER)
MOTOR					
2	1	MOTOR, PSC BLOWER	S1-02435647000	S1-02435647000	S1-02432055000
1,2	2	BLOWER, COMBUSTION	S1-32645694000	S1-32645694000	S1-32645694000
ELECTRICAL					
1,2	3	CAPACITOR, RUN (10 MFD)	S1-02435763000	S1-02435763000	S1-02435763000
3	4	SWITCH, LIMIT(250 Deg Man. Reset) (2 ea.)	S1-02541318000	S1-02541318000	S1-02541318000
1	5	CONTROL, FURNACE	S1-33103009000	S1-33103009000	S1-33103009000
3	6	IGNITER	S1-02532625000	S1-02532625000	S1-02532625000
3	7	SENSOR, FLAME	S1-02537499000	S1-02537499000	S1-02537499000
1,2	8	SWITCH, PRESSURE	S1-02435812000	S1-02435812000	S1-02435812000
2	9	SWITCH, DOOR	S1-02435738000	S1-02435738000	S1-02435738000
1	10	TRANSFORMER	S1-2940A3541	S1-2940A3541	S1-2940A3541
1,3	11	VALVE, GAS	S1-02538915000	S1-02538915000	S1-02538915000
2	12	CONTROL, TEMPERATURE	S1-02541320000	S1-02541321000	S1-02541321000
1,2	13	SWITCH, PRESSURE (Dual)	S1-32435886000	S1-32435886000	S1-32435886000
	14				
AIR MOVING					
1,2	15	HOUSING, BLOWER	S1-37327824001	S1-37327824001	S1-37327824002
2	16	WHEEL, BLOWER	S1-02619654709	S1-02619654709	S1-02619654014
FABRICATED PARTS					
2	17	RESTRICTOR, COMBUSTION BLOWER	S1-02815538000	S1-02815859000	S1-02815859000
3	18	BURNER, MAIN GAS	S1-02920482000	S1-02920482000	S1-02920482000
3	19	BRACKET, IGNITER	S1-07317403000	S1-07317403000	S1-07317403000
2	20	SHELF, BLOWER	S1-07327823002	S1-07327823002	S1-07327823003

NOTE: *Not Shown
 New replacement parts shown in **bold** face type at the first printing of parts list dated 1/13.
 Major components and suggested stocking items are shown with shaded item number.
 “<” Across from row indicates a change in that row.
 --- Not applicable to specified model.

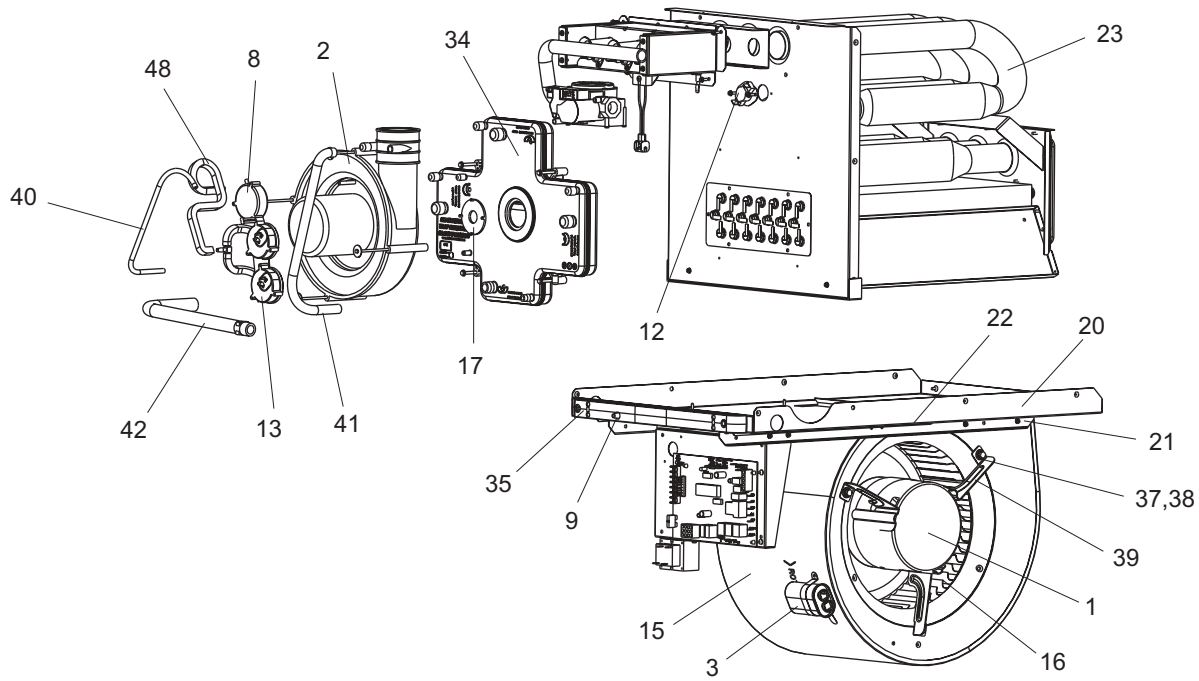


Figure 2: 96% TWO STAGE MULTI-POSITION NATURAL GAS FURNACES

FIG	ITEM	DESCRIPTION	TM9T060B12MP11A	TM9T080B12MP11A	TM9T080C16MP11A
			(3 BURNER)	(4 BURNER)	(4 BURNER)
FABRICATED PARTS (continued)					
2	21	RAIL, BLOWER (2 Req'd)	S1-07327825001	S1-07327825001	S1-07327825001
2	22	BRACKET, BLOWER TRACK (2 Req'd)	S1-07327825002	S1-07327825002	S1-07327825002
1,2	23	HEAT EXCHANGER ASS'Y	S1-37327843003	S1-37327843004	S1-37327843005
3	24	MANIFOLD, GAS	S1-02924467000	S1-02924468000	S1-02924468000
1	25	PAN, BOTTOM	S1-07327841002	S1-07327841002	S1-07327841003
1	26	PANEL, TOP	S1-07327842002	S1-07327842003	S1-07327842004
1	27	PANEL, DOOR (2 Req'd)	S1-37327822002	S1-37327822002	S1-37327822003
1	28	PANEL, BLOCKOFF	S1-07327827002	S1-07327827002	S1-07327827003
	29				
	30				
MISCELLANEOUS					
3	31	ORIFICE, BURNER (Natural #45)	S1-02921182045	S1-02921182045	S1-02921182045
1	32	SIGHT GLASS, OVAL (2 Req'd)	S1-02538899000	S1-02538899000	S1-02538899000
*	33	GASKET, FOAM (Door) (per ft.)	S1-02815517000	S1-02815517000	S1-02815517000
1,2	34	PAN, CONDENSATE	S1-32816418000	S1-32816419000	S1-32816419000
2	35	BRACKET, DOOR	S1-02815513000	S1-02815513000	S1-02815514000
*	36	HARNESS, WIRING (Main)	S1-32542734000	S1-32542734000	S1-32542734000
2	37	FERRULE (3 Req'd)	S1-02320541000	S1-02320541000	S1-02320541000
2	38	GROMMET (3 Req'd)	S1-02814740000	S1-02814740000	S1-02814740000
2	39	MOTOR MOUNT (Includes items 37 & 38)	S1-37319831002	S1-37319831002	S1-37319831002
2	40	TUBING, SILICON	S1-02812499000	S1-02812499000	S1-02812499000
2	41	HOSE, RAIN GUTTER	S1-02815539000	S1-02815539000	S1-02815539000
2	42	HOSE, CONDENSATE	S1-02815550000	S1-02815540000	S1-02815855000
1	43	PLUG, SEAL, 7/8" (5 Req'd)	S1-02815853000	S1-02815853000	S1-02815853000
1	44	PLUG, SEAL, 2-3/8" (2 Req'd)	S1-02815854000	S1-02815854000	S1-02815854000
1	45	PLUG, VENT PIPE (2 Req'd)	S1-02924406000	S1-02924406000	S1-02924406000
*	46	BAG, PARTS	S1-02924480000	S1-02924480000	S1-02924481000
1	47	KNOB, QUARTER TURN (4 Req'd)	S1-02924485000	S1-02924485000	S1-02924485000
2	48	TUBING, SQUARE (9")	S1-02815878000	S1-02815878000	S1-02815878000
*	49	BUSHING, THREADED	S1-02531807000	S1-02531807000	S1-02531807000
*	50	HARNESS, POWER	S1-02541459000	S1-02541459000	S1-02541462000
*	51	DIAGRAM, WIRING	448319	448319	448319

NOTE: *Not Shown
 New replacement parts shown in **bold** face type at the first printing of parts list dated 1/13.
 Major components and suggested stocking items are shown with shaded item number.
 "<" Across from row indicates a change in that row.
 --- Not applicable to specified model.

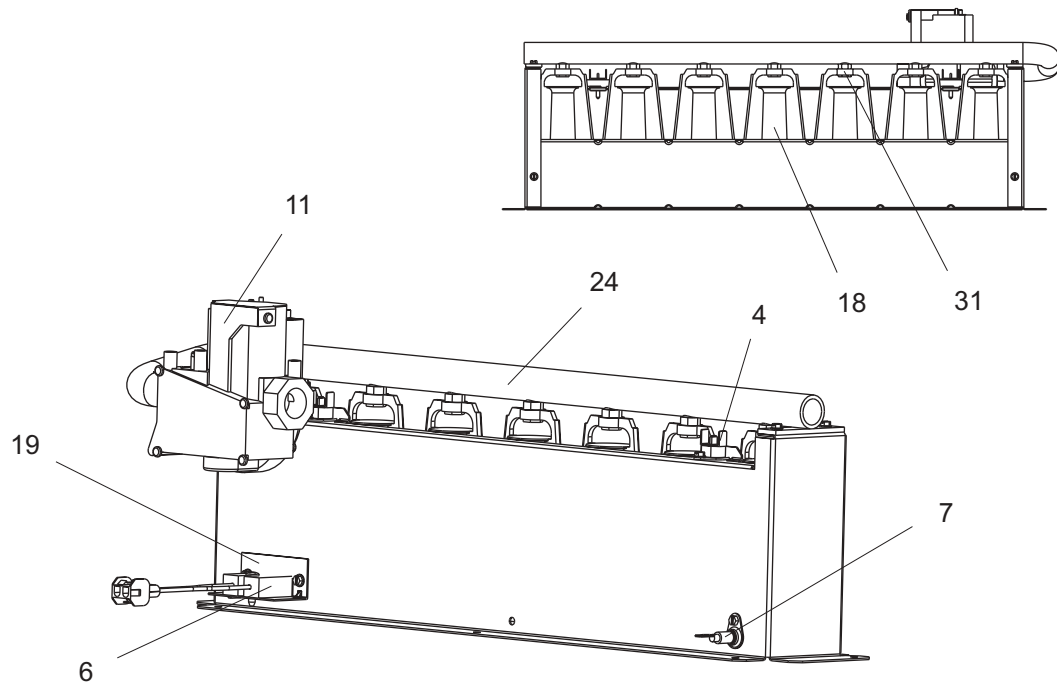


Figure 3: GAS CONTROLS

FIG	ITEM	DESCRIPTION	TM9T100C16MP11A	TM9T100C20MP11A	TM9T120D20MP11A
			(5 BURNER)	(5 BURNER)	(6 BURNER)
MOTOR					
2	1	MOTOR, PSC BLOWER	S1-02432055000	S1-02432056000	S1-02432056000
1,2	2	BLOWER, COMBUSTION	S1-32645694000	S1-32645694000	S1-32645694000
ELECTRICAL					
1,2	3	CAPACITOR, RUN (10 MFD)	S1-02435763000	---	---
		CAPACITOR, RUN (15 MFD)	---	S1-02435764000	S1-02435764000
3	4	SWITCH, LIMIT (250 Deg. Man. Reset) (2 ea.)	S1-02541318000	S1-02541318000	S1-02541318000
2	5	CONTROL, FURNACE	S1-33103009000	S1-33103009000	S1-33103009000
3	6	IGNITER	S1-02532625000	S1-02532625000	S1-02532625000
3	7	SENSOR, FLAME	S1-02537499000	S1-02537499000	S1-02537499000
1,2	8	SWITCH, PRESSURE	S1-02435812000	S1-02435812000	S1-02435812000
2	9	SWITCH, DOOR	S1-02435738000	S1-02435738000	S1-02435738000
1	10	TRANSFORMER	S1-2940A3541	S1-2940A3541	S1-2940A3541
1,3	11	VALVE, GAS	S1-02538915000	S1-02538915000	S1-02538915000
2	12	CONTROL, TEMPERATURE	S1-02541321000	S1-02541321000	S1-02541322000
1,2	13	SWITCH, PRESSURE (Dual)	S1-32435886000	S1-32435886000	S1-32435886000
	14				
AIR MOVING					
1,2	15	HOUSING, BLOWER	S1-37327824002	S1-37327824003	S1-37327824003
2	16	WHEEL, BLOWER	S1-02619654014	S1-02638510000	S1-02638510000

<

NOTE: *Not Shown
 New replacement parts shown in **bold** face type at the first printing of parts list dated 1/13.
 Major components and suggested stocking items are shown with shaded item number.
 “<” Across from row indicates a change in that row.
 --- Not applicable to specified model.



FIG	ITEM	DESCRIPTION	TM9T100C16MP11A	TM9T100C20MP11A	TM9T120D20MP11A
			(5 BURNER)	(5 BURNER)	(6 BURNER)
FABRICATED PARTS					
2	17	RESTRICTOR, COMBUSTION BLOWER	S1-02815860000	S1-02815860000	S1-02815861000
3	18	BURNER, MAIN GAS	S1-02920482000	S1-02920482000	S1-02920482000
3	19	BRACKET, IGNITER	S1-07317403000	S1-07317403000	S1-07317403000
2	20	SHELF, BLOWER	S1-07327823003	S1-07327823004	S1-07327823005
2	21	RAIL, BLOWER (2 Req'd)	S1-07327825001	S1-07327825001	S1-07327825001
2	22	BRACKET, BLOWER TRACK (2 Req'd)	S1-07327825002	S1-07327825002	S1-07327825002
1,2	23	HEAT EXCHANGER ASS'Y	S1-37327843007	S1-37327843007	S1-37327843008
3	24	MANIFOLD, GAS	S1-02924469000	S1-02924469000	S1-02924470000
1	25	PAN, BOTTOM	S1-07327841003	S1-07327841003	S1-07327841004
1	26	PANEL, TOP	S1-07327842005	S1-07327842005	S1-07327842006
1	27	PANEL, DOOR (2 Req'd)	S1-37327822003	S1-37327822003	S1-37327822004
1	28	PANEL, BLOCKOFF	S1-07327827003	S1-07327827003	S1-07327827004
	29				
	30				
MISCELLANEOUS					
3	31	ORIFICE, BURNER (Natural #45)	S1-02921182045	S1-02921182045	S1-02921182045
1	32	SIGHT GLASS, OVAL (2 Req'd)	S1-02538899000	S1-02538899000	S1-02538899000
*	33	GASKET, FOAM (Door) (per ft.)	S1-02815517000	S1-02815517000	S1-02815517000
1,2	34	PAN, CONDENSATE	S1-32816420000	S1-32816420000	S1-32816421000
2	35	BRACKET, DOOR	S1-02815514000	S1-02815514000	S1-02815515000
*	36	HARNES, WIRING (Main)	S1-32542734000	S1-32542734000	S1-32542734000
2	37	FERRULE (3 Req'd)	S1-02320541000	S1-02320541000	S1-02320541000
2	38	GROMMET (3 Req'd)	S1-02814740000	S1-02814740000	S1-02814740000
2	39	MOTOR MOUNT (Includes item 37 & 38)	S1-37319831002	S1-37319831002	S1-37319831002
2	40	TUBING, SILICON	S1-02812499000	S1-02812499000	S1-02812499000
2	41	HOSE, RAIN GUTTER	S1-02815539000	S1-02815539000	S1-02815539000
2	42	HOSE, CONDENSATE	S1-02815856000	S1-02815856000	S1-02815857000
1	43	PLUG, SEAL, 7/8" (5 Req'd)	S1-02815853000	S1-02815853000	S1-02815853000
1	44	PLUG, SEAL, 2-3/8" (2 Req'd)	S1-02815854000	S1-02815854000	S1-02815854000
1	45	PLUG, VENT PIPE (2 Req'd)	S1-02924406000	S1-02924406000	S1-02924406000
*	46	BAG, PARTS	S1-02924481000	S1-02924481000	S1-02924481000
1	47	KNOB, QUARTER TURN (4 Req'd)	S1-02924485000	S1-02924485000	S1-02924485000
2	48	TUBING, SQUARE (9")	S1-02815878000	S1-02815878000	S1-02815878000
*	49	BUSHING, THREADED	S1-02531807000	S1-02531807000	S1-02531807000
*	50	HARNES, POWER	S1-02541462000	S1-02541462000	S1-02541462000
*	51	DIAGRAM, WIRING	448319	448319	448319

NOTE: *Not Shown
New replacement parts shown in **bold** face type at the first printing of parts list dated 1/13.
Major components and suggested stocking items are shown with shaded item number.
"←" Across from row indicates a change in that row.
--- Not applicable to specified model.

TO ORDER AUTHORIZED FACTORY REPLACEMENT PARTS - Contact your Source1 HVAC Parts Distributor or visit our website at www.Source1Parts.com for a Distributor and Dealer listing.