



www.Source1Parts.com

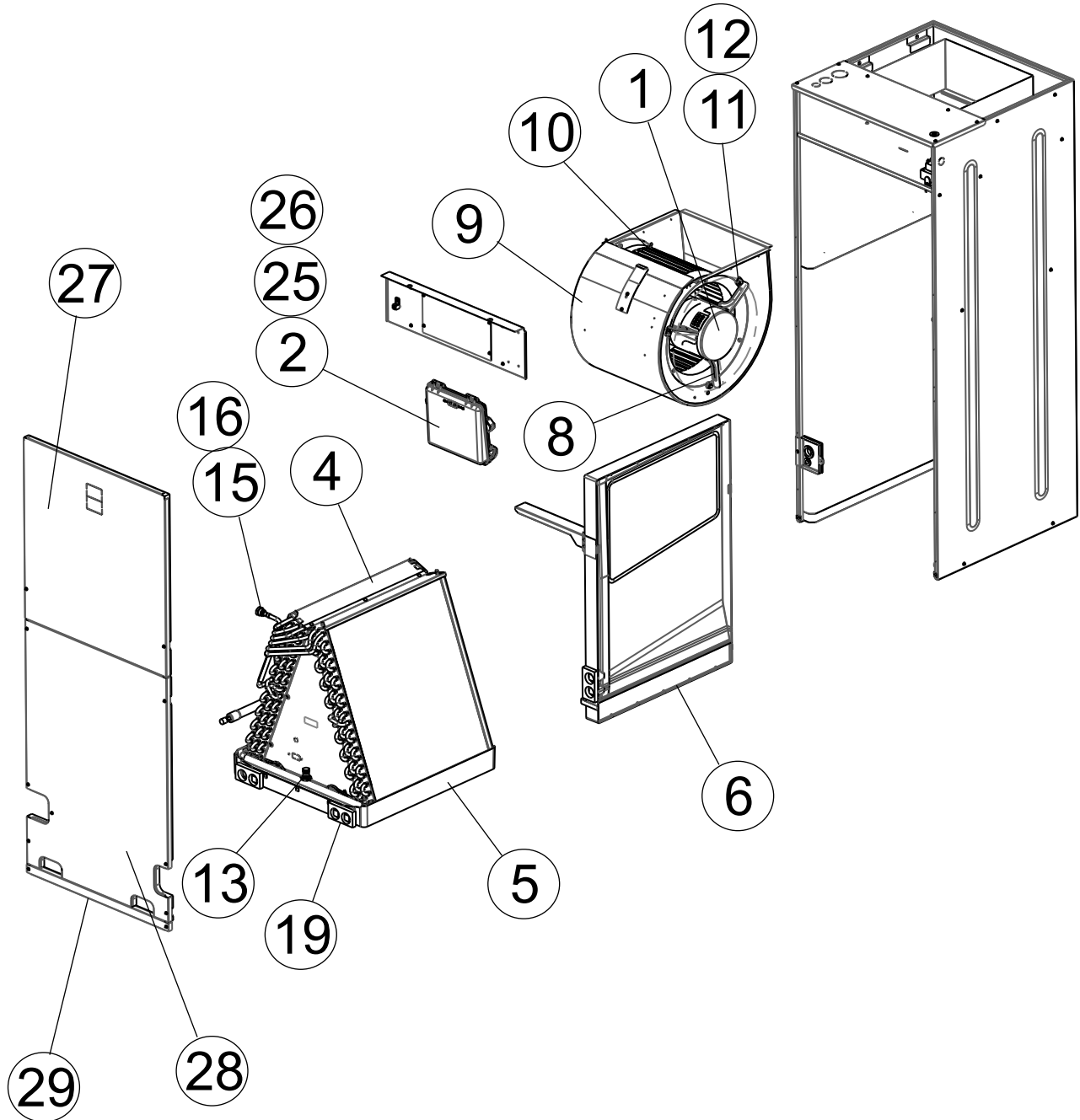
# AHV SERIES SINGLE PIECE AIR HANDLER ECM PLUS MOTOR, FLEX COIL MODELS COMMUNICATING VERSION (STYLE B)

HVAC SERVICE PARTS

Supersedes: Nothing

035-23681-001 Rev. A (0813)

1 of 4



ITEM	DESCRIPTION	AHV18B3XH21CB	AHV24B3XH21CB	AHV30B3XH21CB	<
1	Blower Motor, Programmed	S1-02436053001	S1-02436053002	S1-02436053002	
	Blower Motor, Unprogrammed	S1-02436053000	S1-02436053000	S1-02436053000	
2	Control Board, Comm	S1-33103003000	S1-33103003000	S1-33103003000	
3*	Transformer	S1-02518452700	S1-02518452700	S1-02518452700	
4	Coil, Flex (w/drain pan)	S1-37323793010	S1-37323793001	S1-37323793001	
5	Drain Pan, Vertical	S1-03200216000	S1-03200216000	S1-03200216000	
6	Drain Pan, Horizontal	S1-37323794005	S1-37323794001	S1-37323794001	
7*	Baffle Kit	S1-37323890002	S1-37323890002	S1-37323890002	
8	Kit, Motor Mount (Includes 11 & 12)	S1-37319831002	S1-37319831002	S1-37319831002	
9	Housing, Blower	S1-37327931001	S1-37327931001	S1-37327931001	
10	Wheel, Blower	S1-02634005000	S1-02634005000	S1-02634005000	
11	Grommet, Motor Mount (3 Req'd)	S1-02814740000	S1-02814740000	S1-02814740000	
12	Ferrule, Motor Mount (3 Req'd)	S1-02320541000	S1-02320541000	S1-02320541000	
13	Distributor	S1-02209089000	S1-02209083000	S1-02209083000	
14*	Cover, Hairpin (2 Req'd)	S1-03100205000	S1-03100209000	S1-03100209000	
15	Line, Liquid (Includes Item 16)	S1-02321572000	S1-02321572000	S1-02321572000	
16	Connector, Field	S1-02531890001	S1-02531890001	S1-02531890001	
17*	Grommet, 3/4"	S1-02813204000	S1-02813204000	S1-02813204000	
18*	Grommet, 3/8"	S1-02813209000	S1-02813209000	S1-02813209000	
19	Gasket, Drain Pan (3 Req'd)	S1-02816402000	S1-02816402000	S1-02816402000	
20*	Harness, Wiring, Main	S1-02544146000	S1-02544146000	S1-02544146000	
21*	Wiring Diagram	818695	818695	818695	
22*	Fastener, Clip (2 Req'd)	S1-02131402000	S1-02131402000	S1-02131402000	
23*	Harness, Wiring, Power	S1-02544147000	S1-02544147000	S1-02544147000	
24*	Plug, ID	S1-02544148000	S1-02544149000	S1-02544150000	
25	Top, Control Box	S1-02545232000	S1-02545232000	S1-02545232000	
26	Bottom, Control Box	S1-02545233000	S1-02545233000	S1-02545233000	
27	Upper Door Assy.	S1-37327961001	S1-37327961001	S1-37327961001	
28	Bottom Door Assy.	S1-37327961004	S1-37327961004	S1-37327961004	
29	Filter Door Assy.	S1-37327961007	S1-37327961007	S1-37327961007	

**NOTE:** \*Not Shown

New replacement parts shown in **bold** face type at the first printing of parts list dated 8/13.

Major components and suggested stocking items are shown with shaded item number.

"<" Across from row indicates a change in that row.

--- Not applicable to specified model.

ITEM	DESCRIPTION	AHV36C3XH21CB	AHV42D3XH21CB	AHV48D3XH21CB	AHV60D3XH21CB	<
1	Blower Motor, Programmed	S1-02436054001	S1-02436054002	S1-02436055001	S1-02436055002	
	Blower Motor, Unprogrammed	S1-02436054000	S1-02436054000	S1-02436055000	S1-02436055000	
2	Control Board, Comm	S1-33103003000	S1-33103003000	S1-33103003000	S1-33103003000	
3*	Transformer	S1-02518452700	S1-02518452700	S1-02518452700	S1-02518452700	
4	Coil, Flex (w/drain pan)	S1-37323793002	S1-37323793004	S1-37323793016	S1-37327809002	
5	Drain Pan, Vertical	S1-03200217000	S1-03200218000	S1-03200218000	S1-03200218000	
6	Drain Pan, Horizontal	S1-37323794002	S1-37323794003	S1-37323794003	S1-37323794003	
7*	Baffle Kit	S1-37323890003	S1-37323890004	S1-37323890004	S1-37323890004	
8	Kit, Motor Mount (Includes 11 & 12)	S1-37319831002	S1-37319831003	S1-37319831002	S1-37319831002	
9	Housing, Blower	S1-37327931003	S1-37327931003	S1-37327931003	S1-37327931003	
10	Wheel, Blower	S1-02634501000	S1-02634501000	S1-02634501000	S1-02634501000	
11	Grommet, Motor Mount (3 Req'd)	S1-02814740000	S1-02814740000	S1-02814740000	S1-02814740000	
12	Ferrule, Motor Mount (3 Req'd)	S1-02320541000	S1-02320541000	S1-02320541000	S1-02320541000	
13	Distributor	S1-02209083000	S1-02209084000	S1-02541001000	S1-02541001000	
14*	Cover, Hairpin (2 Req'd)	S1-03100210000	S1-03100211000	S1-03100212000	S1-03109145000	
15	Line, Liquid (Includes Item 16)	S1-02321573000	S1-02321574000	S1-02322442000	S1-02321574000	
16	Connector, Field	S1-02531890001	S1-02531890001	S1-02531890001	S1-02531890001	
17*	Grommet, 7/8"	S1-02813205000	S1-02813205000	S1-02813205000	S1-02813205000	
18*	Grommet, 3/8"	S1-02813209000	S1-02813209000	S1-02813209000	S1-02813209000	
19	Gasket, Drain Pan (3 Req'd)	S1-02816402000	S1-02816402000	S1-02816402000	S1-02816402000	
20*	Harness, Wiring, Main	S1-02544146000	S1-02544146000	S1-02544146000	S1-02544146000	
21*	Wiring Diagram	818695	818695	818695	818695	
22*	Fastener, Clip (2 Req'd)	S1-02131402000	S1-02131402000	S1-02131402000	S1-02131402000	
23*	Harness, Wiring, Power	S1-02544147000	S1-02544147000	S1-02544147000	S1-02544147000	
24*	Plug, ID	S1-02544151000	S1-02544152000	S1-02544153000	S1-02544154000	
25	Top, Control Box	S1-02545232000	S1-02545232000	S1-02545232000	S1-02545232000	
26	Bottom, Control Box	S1-02545233000	S1-02545233000	S1-02545233000	S1-02545233000	
27	Upper Door Assy.	S1-37327961002	S1-37327961003	S1-37327961003	S1-37327961003	
28	Bottom Door Assy.	S1-37327961005	S1-37327961006	S1-37327961006	S1-37327961006	
29	Filter Door Assy.	S1-37327961008	S1-37327961009	S1-37327961009	S1-37327961009	

**NOTE:** \*Not ShownNew replacement parts shown in **bold** face type at the first printing of parts list dated 8/13.

Major components and suggested stocking items are shown with shaded item number.

"←" Across from row indicates a change in that row.

--- Not applicable to specified model.

**TO ORDER AUTHORIZED FACTORY REPLACEMENT PARTS** - Contact your Source1 HVAC Parts Distributor or visit our website at **[www.Source1Parts.com](http://www.Source1Parts.com)** for a Distributor and Dealer listing.

Subject to change without notice. Published in U.S.A.  
Copyright © 2013 by Johnson Controls, Inc. All rights reserved.

035-23681-001 Rev. A (0813)  
Supersedes: Nothing

---

**York International Corp.**  
**5005 York Drive**  
**Norman, OK 73069**