



www.Source1Parts.com

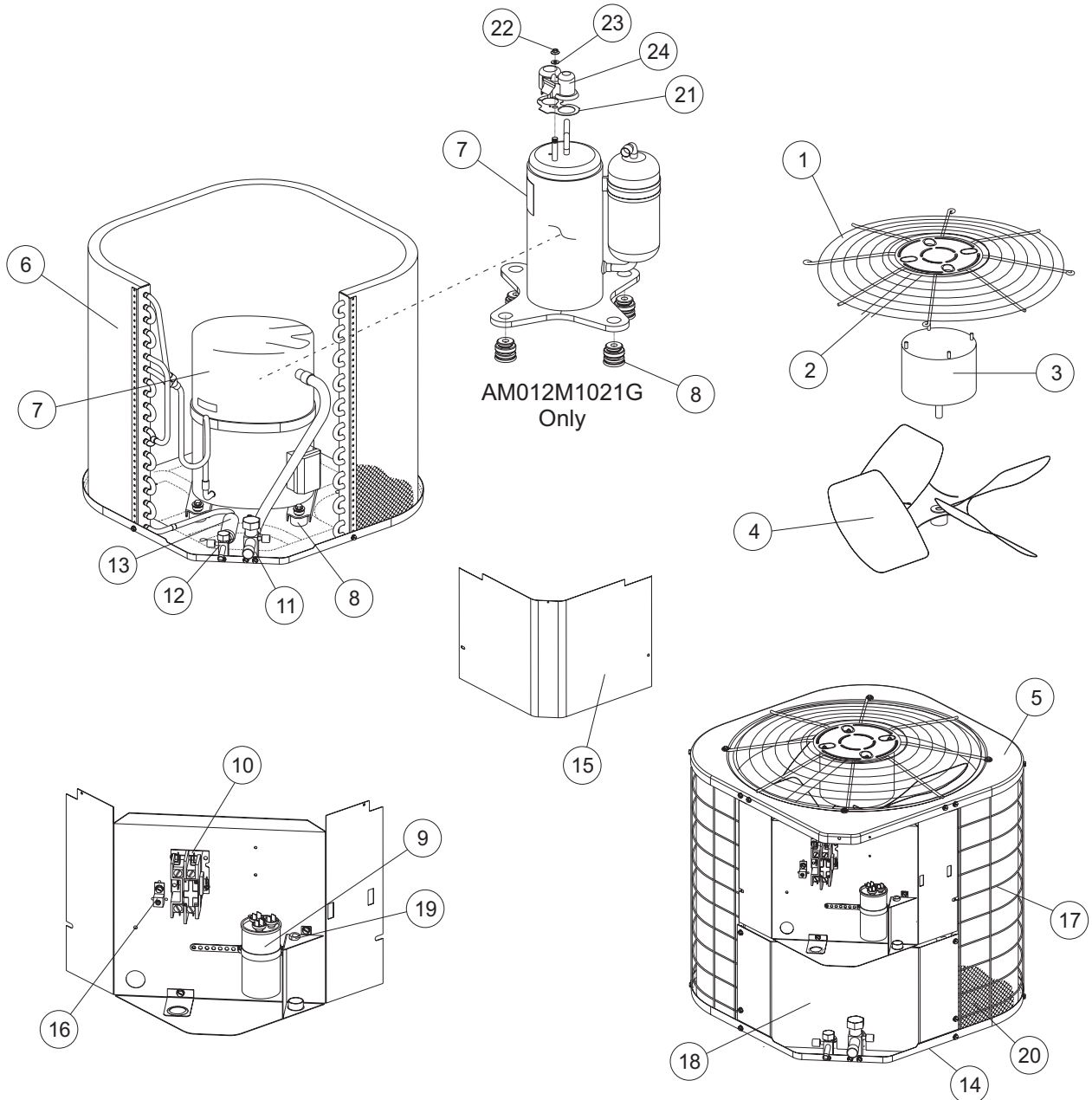
# AM SERIES - 10 SEER - MINI CUBE SPLIT AIR CONDITIONER (STYLE G)

HVAC SERVICE PARTS

Supersedes: Nothing

035-21276-001 Rev. A (1006)

1 of 2



**Models 12, 18, 24, and 30**

ITEM	DESCRIPTION	AM012M1021G	AM018M1021G	AM024M1021G	AM030M1021G
1	Fan Guard	S1-02637318818	S1-02637318818	S1-02637318818	S1-02637318818
2	Wireway	S1-02814701000	S1-02814701000	S1-02814701000	S1-02814701000
3	Fan Motor	S1-02435355000	S1-02435355000	S1-02435356000	S1-02435356000
4	Fan Blade 17.5" Diameter	S1-02637314000	S1-02637314000	S1-02637315000	S1-02637315000
5	Top	S1-07323407802	S1-07323407802	S1-07323407802	S1-07323407802
6	Outdoor Coil Assembly	S1-37323402012	S1-37323402018	S1-37323402024	S1-37323402030
7++	Compressor	S1-01503288004	S1-01503426004	S1-01503430004	S1-01502716004
8	Compressor Mount (Pkg. of 4)	S1-02813397000	S1-9435-1081	S1-9435-1081	S1-9435-1081
9	Dual Capacitor (40/5 MFD)	S1-02425893700	---	---	---
	Dual Capacitor (30/5 MFD)	---	S1-02424778000	S1-02424778000	---
	Dual Capacitor (35/5 MFD)	---	---	---	S1-02425859000
10	Contactora (30 amp)	S1-02427531000	S1-02427531000	S1-02427531000	S1-02427531000
11	Base Valve (3/4") (Suction)	S1-02531900000	S1-02531900000	S1-02531900000	S1-02531900000
12	Base Valve (3/8") (Liquid)	S1-02531899000	S1-02531899000	S1-02531899000	S1-02531899000
13	Filter Drier	S1-02922156000	S1-02922156000	S1-02922156000	S1-02922156000
14	Base Pan	S1-07323407801	S1-07323407801	S1-07323407801	S1-07323407801
15	Electrical Control Box Cover	S1-07323407803	S1-07323407803	S1-07323407803	S1-07323407803
16	Ground Lug	S1-02521798000	S1-02521798000	S1-02521798000	S1-02521798000
17	Coil Guard	S1-37323704001	S1-37323704001	S1-37323704001	S1-37323705001
18	Blockoff Plate	S1-07323407820	S1-07323407820	S1-07323407820	S1-07323407822
19	Strain Relief	S1-02509687000	S1-02509687000	S1-02509687000	S1-02509687000
20	Wire Mesh Coil Guard (Hail Guard)	S1-02813386000	S1-02813386000	S1-02813386000	S1-02813387000
21	Terminal Cover Gasket	S1-02813369000	---	---	---
22	Flange Hex Nut	S1-02118373000	---	---	---
23	Flange Nut Gasket	S1-02814700000	---	---	---
24	Terminal Cover	S1-02837358000	---	---	---
25*	Wiring Diagram	167242	167242	167242	167242
26*	Orifice (.047)	S1-02922234000	---	---	---
	Orifice (.051)	---	S1-02919387021	---	---
	Orifice (.059)	---	---	S1-02919387010	---
	Orifice (.063)	---	---	---	S1-02919387015
27*	Kit, Motor Mounting (Acorn Nuts)	S1-36390117700	S1-36390117700	S1-36390117700	S1-36390117700
28*	Compressor Harness	---	S1-02531884000	S1-02531884000	S1-02531884000
29*	Coupler, Reducing (3/4" x 5/8")	---	---	S1-02316885000	---
30*	Logo/Bezel Plate Kit (Coleman)	S1-1539-4241	S1-1539-4241	S1-1539-4241	S1-1539-4241
	Logo/Bezel Plate Kit (York)	S1-1539-4251	S1-1539-4251	S1-1539-4251	S1-1539-4251
	Logo/Bezel Plate Kit (Luxaire)	S1-1539-4261	S1-1539-4261	S1-1539-4261	S1-1539-4261
	Logo/Bezel Plate Kit (Fraser/Johnston)	S1-1539-4271	S1-1539-4271	S1-1539-4271	S1-1539-4271

**NOTE:** \*Not ShownNew replacement parts shown in **bold** face type at the first printing of parts list dated 10/06.

Major components and suggested stocking items are shown with shaded item number.

"←" Across from row indicates a change in that row.

--- Not applicable to specified model.

++ Must be ordered along with component #29 (2 Ton unit only)

**TO ORDER AUTHORIZED FACTORY REPLACEMENT PARTS** - Contact your Source1 HVAC Parts Distributor or visit our website at [www.Source1Parts.com](http://www.Source1Parts.com) for a Distributor and Dealer listing.