



www.Source1Parts.com

D3NZ SERIES - 13 SEER SINGLE PACKAGED GAS/ELECTRIC AIR CONDITIONER (R-410A, STYLE A,B)

HVAC SERVICE PARTS

Supersedes:035-23146-001 Rev. B (0112)

035-23146-001 Rev. C (0212)

1 of 16

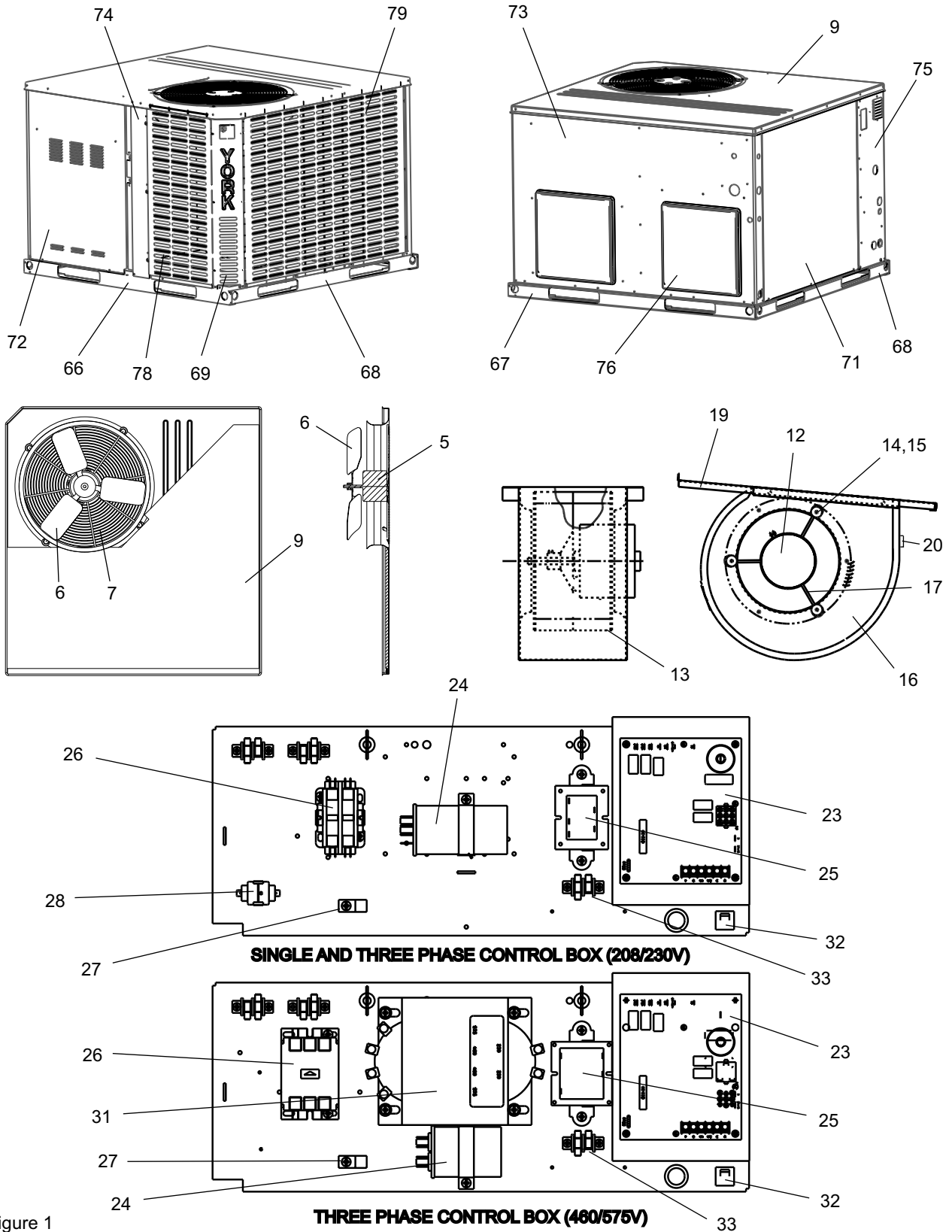


Figure 1

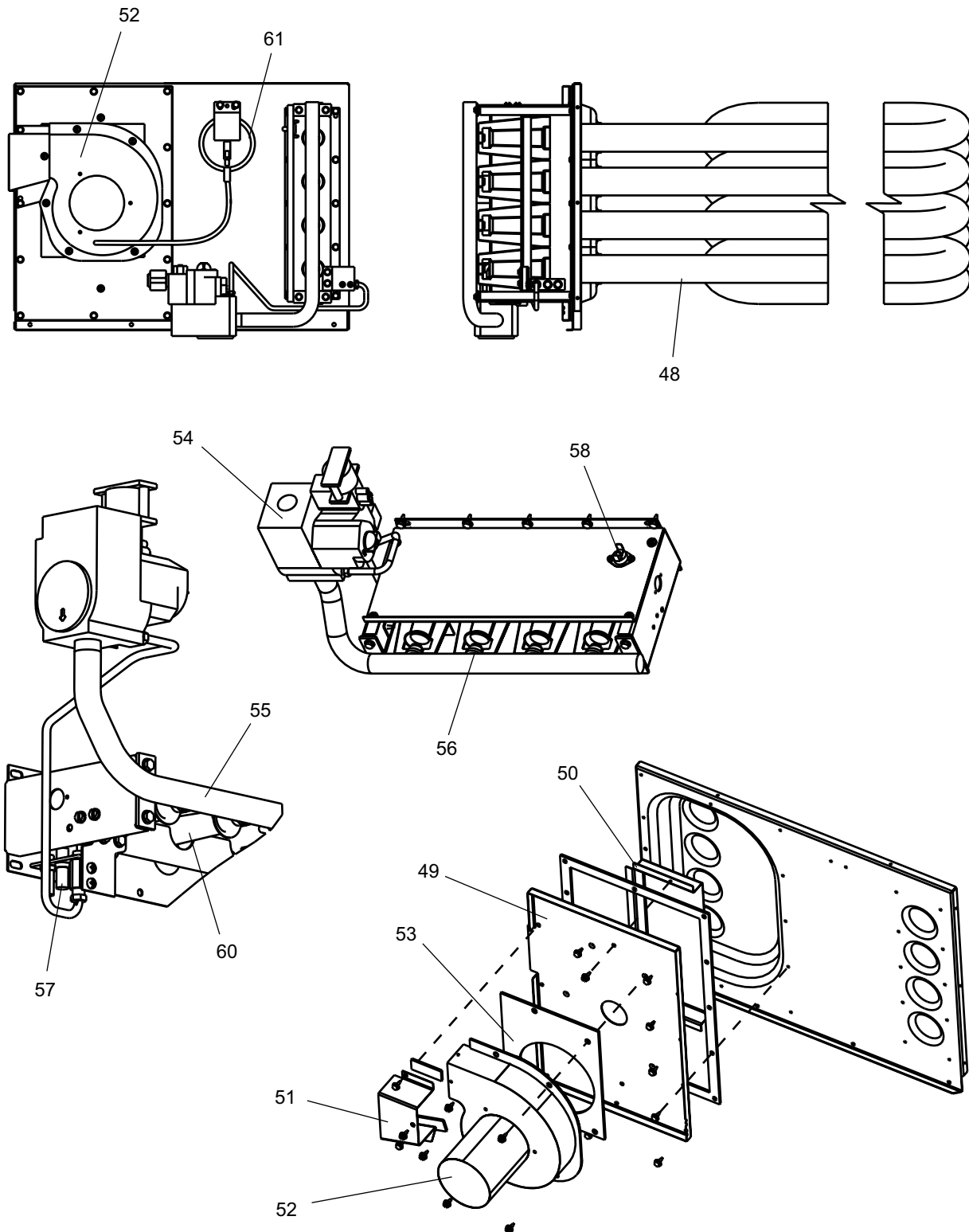


Figure 2

ITEM	FIG	DESCRIPTION	D3NZ024D05606	D3NZ024N03606	D3NZ024N05606	D3NZ030D05606
Compressors						
1	3	Compressor	S1-01504076004	S1-01504076004	S1-01504076004	S1-01504125001
2	3	Cushion Mount	S1-02810505000	S1-02810505000	S1-02810505000	S1-02810505000
3	3	Bolt, Compressor	S1-02116047000	S1-02116047000	S1-02116047000	S1-02116047000
Condensor Fan Motor & Air Moving Components						
5	1	Motor, Fan	S1-02435612000	S1-02435612000	S1-02435612000	S1-02425119701
6	1	Blade, Fan	S1-02642455000	S1-02642455000	S1-02642455000	S1-02639408000
7	1	Guard, Fan	S1-02646742000	S1-02646742000	S1-02646742000	S1-02646742000
8	*	Wireway(26")	S1-02810070000	S1-02810070000	S1-02810070000	S1-02810070000
9	1	Roof, Condenser	S1-37328308000	S1-37328308000	S1-37328308000	S1-37328308000
10	*	Kit, Acorn Nut	S1-36390117700	S1-36390117700	S1-36390117700	S1-36390117700
Indoor Blower Motor & Air Moving Components						
12	1	Motor, Blower, Programmed	S1-02435688009	S1-02435688009	S1-02435688009	S1-02435705009
		Motor, Blower, Unprogrammed	S1-02435679000	S1-02435679000	S1-02435679000	S1-02435705000
13	1	Wheel, Blower	S1-02632088702	S1-02632088702	S1-02632088702	S1-02632088702
14	1	Grommet, Motor Mount (3 Req'd)	S1-02814740000	S1-02814740000	S1-02814740000	S1-02814740000
15	1	Ferrule, Motor Mount (3 Req'd)	S1-02320541000	S1-02320541000	S1-02320541000	S1-02320541000
16	1	Housing, Blower	S1-37314999001	S1-37314999001	S1-37314999001	S1-37314999001
17	1	Assembly, Motor Mount	S1-07328479000	S1-07328479000	S1-07328479000	S1-07328479000
18	*	Cutoff, Blower	S1-07315272000	S1-07315272000	S1-07315272000	S1-07315272000
19	1	Plate, Blower	S1-07314983001	S1-07314983001	S1-07314983001	S1-07314983001
20	1	Switch,Aux Limit, Manual Reset	S1-02531834000	S1-02531834000	S1-02531834000	S1-02531834000
Electric Box						
22	*	Relay, Control	S1-02424116000	S1-02424116000	S1-02424116000	S1-02424116000
23	1	Board, Control	S1-03109174000	S1-03109175000	S1-03109175000	S1-03109174000
24	1	Capacitor, Dual Run	S1-02423998700	S1-02423998700	S1-02423998700	S1-02425893700
25	1	Transformer	S1-02518452700	S1-02518452700	S1-02518452700	S1-02518452700
26	1	Contacto	S1-02432004000	S1-02432004000	S1-02432004000	S1-02432004000
27	1	Lug, Electrical	S1-02521798000	S1-02521798000	S1-02521798000	S1-02521798000
28	1	Assist, Motor Start	S1-02425084000	S1-02425084000	S1-02425084000	S1-02425084000
29	*	Harness, Wire, Control	S1-02541213000	S1-02541216000	S1-02541216000	S1-02541213000
30	*	Diagram, Wiring	584727	280228	280228	584727
Evaporator Coil, Condensor Coil, and Piping Components						
36	3	Coil, Evaporator	S1-37329041000	S1-37329041000	S1-37329041000	S1-37329040000
37	3	Valve, Distributor w/Orifice (Evap)	S1-02206844118	S1-02206844118	S1-02206844118	S1-02206844163
38	3	Coil, Condenser	S1-37328295000	S1-37328295000	S1-37328295000	S1-37328295000
39	3	Switch, High Pressure	S1-02538728000	S1-02538728000	S1-02538728000	S1-02538728000
40	3	Switch, Low Pressure	S1-02539909000	S1-02539909000	S1-02539909000	S1-02539909000
41	3	Filter Drier	S1-52634088000	S1-52634088000	S1-52634088000	S1-52634088000
42	3	Connector Tee, Pres Sw. (2 Req'd)	S1-02322437000	S1-02322437000	S1-02322437000	S1-02322437000
43	*	Valve, Schraeder (4 Req'd)	S1-02202475700	S1-02202475700	S1-02202475700	S1-02202475700
44	*	Cap, Seal (2 Req'd)	S1-02310745000	S1-02310745000	S1-02310745000	S1-02310745000
Heating Section, Vent, Blower, and Gas Control Components						
48	2	Heat Exchanger Assy	S1-37314997703	S1-37314997702	S1-37314997703	S1-37314997703
49	2	Plate, Restrictor	S1-07319347003	S1-07319347002	S1-07319347003	S1-07319347003
50	2	Baffle, Restrictor	S1-07314993001	S1-07314993001	S1-07314993001	S1-07314993001
51	2	Flue, Exhaust	S1-07319344000	S1-07319344000	S1-07319344000	S1-07319344000
52	2	Blower, Vent	S1-02646427000	S1-02633999001	S1-02633999001	S1-02646427000
53	2	Gasket, Vent Blower	S1-02812467000	S1-02812467000	S1-02812467000	S1-02812467000
54	2	Valve, Gas	S1-02541218000	S1-VR8204M1026	S1-VR8204M1026	S1-02541218000
55	2	Manifold, Gas	S1-02921179000	S1-02921179000	S1-02921179000	S1-02921179000
56	2	Orifice, Gas (#43)	S1-02920423043	S1-02920423043	S1-02920423043	S1-02920423043
57	2	Ignitor, Spark, Pilot	S1-02541219000	S1-02541219000	S1-02541219000	S1-02541219000
58	2	Switch, Control Rollout	S1-02531812000	S1-02530862000	S1-02531812000	S1-02531812000
59	*	Switch, Limit, Auto Reset	S1-02531814000	S1-02531814000	S1-02531813000	S1-02531814000
60	2	Burner, Gas	S1-02921180000	S1-02921180000	S1-02921180000	S1-02921180000
61	2	Switch, Air Pressure	S1-02435707000	S1-02425975000	S1-02425975000	S1-02435707000
62	*	Gasket, High Temp	S1-02811648000	S1-02811648000	S1-02811648000	S1-02811648000

NOTE: *Not ShownNew replacement parts shown in **bold** face type at the first printing of parts list dated 2/12.

Major components and suggested stocking items are shown with shaded item number.

"←" Across from row indicates a change in that row.

--- Not applicable to specified model.

ITEM	FIG	DESCRIPTION	D3NZ024D05606	D3NZ024N03606	D3NZ024N05606	D3NZ030D05606
Sheet Metal Components						
66	1	Base Rail, Front	S1-07319413000	S1-07319413000	S1-07319413000	S1-07319413000
67	1	Base Rail, Back	S1-07319414000	S1-07319414000	S1-07319414000	S1-07319414000
68	1	Base Rail, Side (2 Req'd)	S1-07319415000	S1-07319415000	S1-07319415000	S1-07319415000
69	1	Post, Corner Assy	S1-37327360000	S1-37327360000	S1-37327360000	S1-37327360000
71	1	Panel, Access, Blower	S1-37314979001	S1-37314979001	S1-37314979001	S1-37314979001
72	1	Panel, Access, Heater	S1-07314981001	S1-07314981001	S1-07314981001	S1-07314981001
73	1	Panel, Duct	S1-37319412004	S1-37319412004	S1-37319412004	S1-37319412004
74	1	Post, Corner Assy, Front	S1-07328307000	S1-07328307000	S1-07328307000	S1-07328307000
75	1	Post, Corner Assy, Left Front	S1-07320120000	S1-07320120000	S1-07320120000	S1-07320120000
76	1	Duct Cover (2 Req'd)	S1-37314853000	S1-37314853000	S1-37314853000	S1-37314853000
77	*	Screen, Flue	S1-02634000000	S1-02634000000	S1-02634000000	S1-02634000000
78	1	Coil Guard, (Front)	S1-02645704000	S1-02645704000	S1-02645704000	S1-02645704000
79	1	Coil Guard, (Side)	S1-02634531000	S1-02634531000	S1-02634531000	S1-02634531000
80	*	Hood, Flue, Exhaust Outlet	S1-07314988000	S1-07314988000	S1-07314988000	S1-07314988000
81	*	Deflector, Air, Front	S1-07314975000	S1-07314975000	S1-07314975000	S1-07314975000
Drain Pan & Accessories						
87	*	Pan, Drain	S1-03200177001	S1-03200177001	S1-03200177001	S1-03200177001
88	*	Plug, Drain Pan	S1-02812480000	S1-02812480000	S1-02812480000	S1-02812480000
89	*	Drain Fitting	S1-7430-3011	S1-7430-3011	S1-7430-3011	S1-7430-3011
90	*	Tubing, Drain	S1-02815480000	S1-02815480000	S1-02815480000	S1-02815480000

NOTE: *Not Shown
 New replacement parts shown in **bold** face type at the first printing of parts list dated 2/12.
 Major components and suggested stocking items are shown with shaded item number.
 "<" Across from row indicates a change in that row.
 --- Not applicable to specified model.

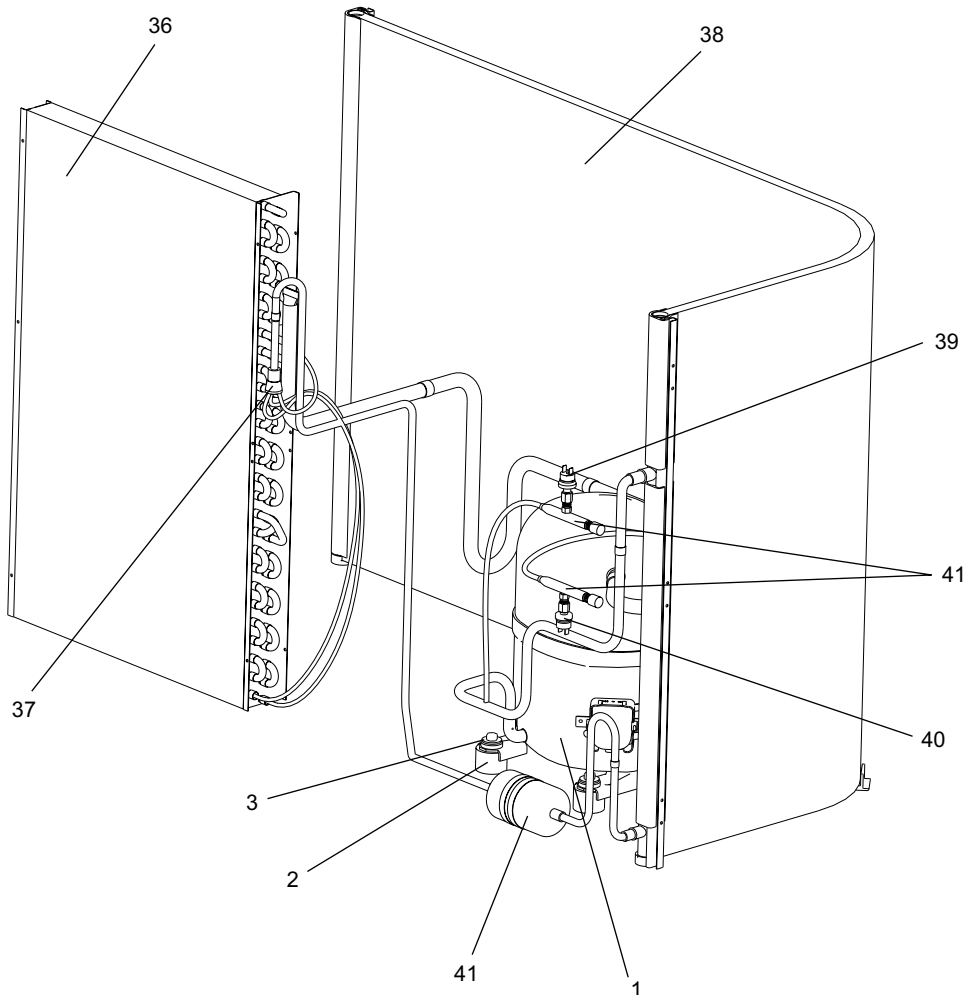


Figure 3

ITEM	FIG	DESCRIPTION	D3NZ030N03606	D3NZ030N03625	D3NZ030N03646	D3NZ030N05606
Compressors						
1	3	Compressor	S1-01504126001	S1-01504275004	S1-01504276004	S1-01504125001
2	3	Cushion Mount	S1-02810505000	S1-02810505000	S1-02810505000	S1-02810505000
3	3	Bolt, Compressor	S1-02116047000	S1-02116047000	S1-02116047000	S1-02116047000
Condensor Fan Motor & Air Moving Components						
5	1	Motor, Fan	S1-02425119701	S1-02425119701	S1-02425121700	S1-02425119701
6	1	Blade, Fan	S1-02639408000	S1-02639408000	S1-02639408000	S1-02639408000
7	1	Guard, Fan	S1-02646742000	S1-02646742000	S1-02646742000	S1-02646742000
8	*	Wireway(26")	S1-02810070000	S1-02810070000	S1-02810070000	S1-02810070000
9	1	Roof, Condenser	S1-37328308000	S1-37328308000	S1-37328308000	S1-37328308000
10	*	Kit, Acorn Nut	S1-36390117700	S1-36390117700	S1-36390117700	S1-36390117700
Indoor Blower Motor & Air Moving Components						
12	1	Motor, Blower, Programmed	S1-02435705009	S1-02435705009	S1-02435705009	S1-02435705009
		Motor, Blower, Unprogrammed	S1-02435705000	S1-02435705000	S1-02435705000	S1-02435705000
13	1	Wheel, Blower	S1-02632088003	S1-02632088003	S1-02632088003	S1-02632088003
14	1	Grommet, Motor Mount (3 Req'd)	S1-02814740000	S1-02814740000	S1-02814740000	S1-02814740000
15	1	Ferrule, Motor Mount (3 Req'd)	S1-02320541000	S1-02320541000	S1-02320541000	S1-02320541000
16	1	Housing, Blower	S1-37315053001	S1-37315053001	S1-37315053001	S1-37315053001
17	1	Assembly, Motor Mount	S1-07328479000	S1-07328479000	S1-07328479000	S1-07328479000
18	*	Cutoff, Blower	S1-07315272000	S1-07315272000	S1-07315272000	S1-07315272000
19	1	Plate, Blower	S1-07314983002	S1-07314983002	S1-07314983002	S1-07314983002
20	1	Switch,Aux Limit, Manual Reset	S1-02531834000	S1-02531834000	S1-02531834000	S1-02531834000
Electric Box						
22	*	Relay, Control	S1-02424116000	S1-02424116000	S1-02424116000	S1-02424116000
23	1	Board, Control	S1-03109175000	S1-03109175000	S1-03109175000	S1-03109175000
24	1	Capacitor, Dual Run	S1-02425893700	---	---	S1-02425893700
		Capacitor, Single Run	---	S1-02420043700	S1-02420043700	---
25	1	Transformer	S1-02518452700	S1-02525973700	S1-02525974700	S1-02518452700
26	1	Contact	S1-02432004000	S1-02435803000	S1-02435803000	S1-02432004000
27	1	Lug, Electrical	S1-02521798000	S1-02521798000	S1-02521798000	S1-02521798000
28	1	Assist, Motor Start	S1-02425084000	---	---	S1-02425084000
29	*	Harness, Wire, Control	S1-02541216000	S1-02541216000	S1-02541216000	S1-02541216000
30	*	Diagram, Wiring	280228	280229	280226	280228
31	1	Transformer	---	---	S1-02539924000	---
32	1	Breaker, Circuit	---	S1-02434532000	S1-02434532000	---
33	1	Block, Terminal	---	---	S1-02523083000	---
Evaporator Coil, Condensor Coil, and Piping Components						
36	3	Coil, Evaporator	S1-37329040000	S1-37329040000	S1-37329040000	S1-37329040000
37	3	Valve, Distributor w/Orifice (Evap)	S1-02206844103	S1-02206844163	S1-02206844163	S1-02206844163
38	3	Coil, Condenser	S1-37328295000	S1-37328295000	S1-37328295000	S1-37328295000
39	3	Switch, High Pressure	S1-02538728000	S1-02538728000	S1-02538728000	S1-02538728000
40	3	Switch, Low Pressure	S1-02539909000	S1-02539909000	S1-02539909000	S1-02539909000
41	3	Filter Drier	S1-52634088000	S1-52634088000	S1-52634088000	S1-52634088000
42	3	Connector Tee, Pres Sw. (2 Req'd)	S1-02322437000	S1-02322437000	S1-02322437000	S1-02322437000
43	*	Valve, Schraeder (4 Req'd)	S1-02202475700	S1-02202475700	S1-02202475700	S1-02202475700
44	*	Cap, Seal (2 Req'd)	S1-02310745000	S1-02310745000	S1-02310745000	S1-02310745000
Heating Section, Vent, Blower, and Gas Control Components						
48	2	Heat Exchanger Assy	S1-37314997702	S1-37314997702	S1-37314997702	S1-37314997703
49	2	Plate, Restrictor	S1-07319347002	S1-07319347002	S1-07319347002	S1-07319347003
50	2	Baffle, Restrictor	S1-07314993001	S1-07314993001	S1-07314993001	S1-07314993001
51	2	Flue, Exhaust	S1-07319344000	S1-07319344000	S1-07319344000	S1-07319344000
52	2	Blower, Vent	S1-02633999001	S1-02633999001	S1-02633999001	S1-02633999001
53	2	Gasket, Vent Blower	S1-02812467000	S1-02812467000	S1-02812467000	S1-02812467000
54	2	Valve, Gas	S1-VR8204M1026	S1-VR8204M1026	S1-VR8204M1026	S1-VR8204M1026
55	2	Manifold, Gas	S1-02921179000	S1-02921179000	S1-02921179000	S1-02921179000
56	2	Orifice, Gas (#43)	S1-02920423043	S1-02920423043	S1-02920423043	S1-02920423043
57	2	Ignitor, Spark, Pilot	S1-02541219000	S1-02541219000	S1-02541219000	S1-02541219000
58	2	Switch, Control Rollout	S1-02530862000	S1-02530862000	S1-02530862000	S1-02531812000
59	*	Switch, Limit, Auto Reset	S1-02531835000	S1-02531835000	S1-02531835000	S1-02531813000
60	2	Burner, Gas	S1-02921180000	S1-02921180000	S1-02921180000	S1-02921180000
61	2	Switch, Air Pressure	S1-02425975000	S1-02425975000	S1-02425975000	S1-02425975000
62	*	Gasket, High Temp	S1-02811648000	S1-02811648000	S1-02811648000	S1-02811648000

NOTE: *Not Shown
 New replacement parts shown in **bold** face type at the first printing of parts list dated 2/12.
 Major components and suggested stocking items are shown with shaded item number.
 "<" Across from row indicates a change in that row.
 --- Not applicable to specified model.

ITEM	FIG	DESCRIPTION	D3NZ030N03606	D3NZ030N03625	D3NZ030N03646	D3NZ030N05606
Sheet Metal Components						
66	1	Base Rail, Front	S1-07319413000	S1-07319413000	S1-07319413000	S1-07319413000
67	1	Base Rail, Back	S1-07319414000	S1-07319414000	S1-07319414000	S1-07319414000
68	1	Base Rail, Side (2 Req'd)	S1-07319415000	S1-07319415000	S1-07319415000	S1-07319415000
69	1	Post, Corner Assy	S1-37327360000	S1-37327360000	S1-37327360000	S1-37327360000
71	1	Panel, Access, Blower	S1-37314979001	S1-37314979001	S1-37314979001	S1-37314979001
72	1	Panel, Access, Heater	S1-07314981001	S1-07314981001	S1-07314981001	S1-07314981001
73	1	Panel, Duct	S1-37319412004	S1-37319412004	S1-37319412004	S1-37319412004
74	1	Post, Corner Assy, Front	S1-07328307000	S1-07328307000	S1-07328307000	S1-07328307000
75	1	Post, Corner Assy, Left Front	S1-07320120000	S1-07320120000	S1-07320120000	S1-07320120000
76	1	Duct Cover (2 Req'd)	S1-37314853000	S1-37314853000	S1-37314853000	S1-37314853000
77	*	Screen, Flue	S1-02634000000	S1-02634000000	S1-02634000000	S1-02634000000
78	1	Coil Guard, (Front)	S1-02645704000	S1-02645704000	S1-02645704000	S1-02645704000
79	1	Coil Guard, (Side)	S1-02634531000	S1-02634531000	S1-02634531000	S1-02634531000
80	*	Hood, Flue, Exhaust Outlet	S1-07314988000	S1-07314988000	S1-07314988000	S1-07314988000
81	*	Deflector, Air, Front	S1-07314975000	S1-07314975000	S1-07314975000	S1-07314975000
83	*	Kit, Filter Rack	---	S1-37315868000	S1-37315868000	---
84	*	Filter, Air, Alum.	---	S1-02633202006	S1-02633202006	---
Drain Pan & Accessories						
87	*	Pan, Drain	S1-03200177001	S1-03200177001	S1-03200177001	S1-03200177001
88	*	Plug, Drain Pan	S1-02812480000	S1-02812480000	S1-02812480000	S1-02812480000
89	*	Drain Fitting	S1-7430-3011	S1-7430-3011	S1-7430-3011	S1-7430-3011
90	*	Tubing, Drain	S1-02815480000	S1-02815480000	S1-02815480000	S1-02815480000

NOTE: *Not Shown
New replacement parts shown in **bold** face type at the first printing of parts list dated 2/12.
Major components and suggested stocking items are shown with shaded item number.
“<” Across from row indicates a change in that row.
--- Not applicable to specified model.



ITEM	FIG	DESCRIPTION	D3NZ030N05625	D3NZ030N05646	D3NZ036D05606	D3NZ036D07206
Compressors						
1	3	Compressor	S1-01504076004	S1-01504276004	S1-01504126001	S1-01504126001
2	3	Cushion Mount	S1-02810505000	S1-02810505000	S1-02810505000	S1-02810505000
3	3	Bolt, Compressor	S1-02116047000	S1-02116047000	S1-02116047000	S1-02116047000
Condensor Fan Motor & Air Moving Components						
5	1	Motor, Fan	S1-02435612000	S1-02425121700	S1-02425119701	S1-02425119701
6	1	Blade, Fan	S1-02642455000	S1-02639408000	S1-02639408000	S1-02639408000
7	1	Guard, Fan	S1-02646742000	S1-02646742000	S1-02646742000	S1-02646742000
8	*	Wireway(26")	S1-02810070000	S1-02810070000	S1-02810070000	S1-02810070000
9	1	Roof, Condenser	S1-37328308000	S1-37328308000	S1-37328308000	S1-37328308000
10	*	Kit, Acorn Nut	S1-36390117700	S1-36390117700	S1-36390117700	S1-36390117700
Indoor Blower Motor & Air Moving Components						
12	1	Motor, Blower, Programmed	S1-02435705009	S1-02435705009	S1-02435705010	S1-02435705010
		Motor, Blower, Unprogrammed	S1-02435705000	S1-02435705000	S1-02435705000	S1-02435705000
13	1	Wheel, Blower	S1-02632088702	S1-02632088702	S1-02632088003	S1-02632088003
14	1	Grommet, Motor Mount (3 Req'd)	S1-02814740000	S1-02814740000	S1-02814740000	S1-02814740000
15	1	Ferrule, Motor Mount (3 Req'd)	S1-02320541000	S1-02320541000	S1-02320541000	S1-02320541000
16	1	Housing, Blower	S1-37314999001	S1-37314999001	S1-37315053001	S1-37315053001
17	1	Assembly, Motor Mount	S1-07328479000	S1-07328479000	S1-07328479000	S1-07328479000
18	*	Cutoff, Blower	S1-07315272000	S1-07315272000	S1-07315272000	S1-07315272000
19	1	Plate, Blower	S1-07314983001	S1-07314983001	S1-07314983002	S1-07314983002
20	1	Switch,Aux Limit, Manual Reset	S1-02531834000	S1-02531834000	S1-02531834000	S1-02531834000
Electric Box						
22	*	Relay, Control	S1-02424116000	S1-02424116000	S1-02424116000	S1-02424116000
23	1	Board, Control	S1-03109174000	S1-03109175000	S1-03109174000	S1-03109174000
24	1	Capacitor, Dual Run	S1-02423998700	---	S1-02425893700	S1-02425893700
		Capacitor, Single Run	---	S1-02420043700	---	---
25	1	Transformer	S1-02518452700	S1-02525974700	S1-02518452700	S1-02518452700
26	1	Contact	S1-02432004000	S1-02435803000	S1-02432004000	S1-02432004000
27	1	Lug, Electrical	S1-02521798000	S1-02521798000	S1-02521798000	S1-02521798000
28	1	Assist, Motor Start	---	---	S1-02425084000	S1-02425084000
29	*	Harness, Wire, Control	S1-02541216000	S1-02541216000	S1-02541213000	S1-02541213000
30	*	Diagram, Wiring	584727	280226	584727	584727
31	1	Transformer	---	S1-02439924000	---	---
32	1	Breaker, Circuit	S1-02434532000	S1-02434532000	---	---
33	1	Block, Terminal	---	S1-02523083000	---	---
Evaporator Coil, Condenser Coil, and Piping Components						
36	3	Coil, Evaporator	S1-37329040000	S1-37329040000	S1-37329039000	S1-37329039000
37	3	Valve, Distributor w/Orifice (Evap)	S1-02206844118	S1-02206844163	S1-02206844103	S1-02206844103
38	3	Coil, Condenser	S1-37328295000	S1-37328295000	S1-37328295000	S1-37328295000
39	3	Switch, High Pressure	S1-02538728000	S1-02538728000	S1-02538728000	S1-02538728000
40	3	Switch, Low Pressure	S1-02539909000	S1-02539909000	S1-02539909000	S1-02539909000
41	3	Filter Drier	S1-52634088000	S1-52634088000	S1-52634088000	S1-52634088000
42	3	Connector Tee, Pres Sw. (2 Req'd)	S1-02322437000	S1-02322437000	S1-02322437000	S1-02322437000
43	*	Valve, Schraeder (4 Req'd)	S1-02202475700	S1-02202475700	S1-02202475700	S1-02202475700
44	*	Cap, Seal (2 Req'd)	S1-02310745000	S1-02310745000	S1-02310745000	S1-02310745000
Heating Section, Vent, Blower, and Gas Control Components						
48	2	Heat Exchanger Assy	S1-37314997703	S1-37314997703	S1-37314997703	S1-37314997704
49	2	Plate, Restrictor	S1-07319347003	S1-07319347003	S1-07319347003	S1-07319347004
50	2	Baffle, Restrictor	S1-07314993001	S1-07314993001	S1-07314993001	S1-07314993001
51	2	Flue, Exhaust	S1-07319344000	S1-07319344000	S1-07319344000	S1-07319344000
52	2	Blower, Vent	S1-02633999001	S1-02633999001	S1-02646427000	S1-02646427000
53	2	Gasket, Vent Blower	S1-02812467000	S1-02812467000	S1-02812467000	S1-02812467000
54	2	Valve, Gas	S1-VR8204M1026	S1-VR8204M1026	S1-02541218000	S1-02541218000
55	2	Manifold, Gas	S1-02921179000	S1-02921179000	S1-02921179000	S1-02921179000
56	2	Orifice, Gas (#43)	S1-02920423043	S1-02920423043	S1-02920423043	S1-02920423043
57	2	Ignitor, Spark, Pilot	S1-02541219000	S1-02541219000	S1-02541219000	S1-02541219000
58	2	Switch, Control Rollout	S1-02531812000	S1-02531812000	S1-02531812000	S1-02531812000
59	*	Switch, Limit, Auto Reset	S1-02531814000	S1-02431813000	S1-02431813000	S1-02431813000
60	2	Burner, Gas	S1-02921180000	S1-02921180000	S1-02921180000	S1-02921180000
61	2	Switch, Air Pressure	S1-02435707000	S1-02425975000	S1-02435707000	S1-02435707000
62	*	Gasket, High Temp	S1-02811648000	S1-02811648000	S1-02811648000	S1-02811648000

NOTE: *Not Shown
 New replacement parts shown in **bold** face type at the first printing of parts list dated 2/12.
 Major components and suggested stocking items are shown with shaded item number.
 "<" Across from row indicates a change in that row.
 --- Not applicable to specified model.



ITEM	FIG	DESCRIPTION	D3NZ030N05625	D3NZ030N05646	D3NZ036D05606	D3NZ036D07206
Sheet Metal Components						
66	1	Base Rail, Front	S1-07319413000	S1-07319413000	S1-07319413000	S1-07319413000
67	1	Base Rail, Back	S1-07319414000	S1-07319414000	S1-07319414000	S1-07319414000
68	1	Base Rail, Side (2 Req'd)	S1-07319415000	S1-07319415000	S1-07319415000	S1-07319415000
69	1	Post, Corner Assy	S1-37327360000	S1-37327360000	S1-37327360000	S1-37327360000
71	1	Panel, Access, Blower	S1-37314979001	S1-37314979001	S1-37314979001	S1-37314979001
72	1	Panel, Access, Heater	S1-07314981000	S1-07314981000	S1-07314981000	S1-07314981000
73	1	Panel, Duct	S1-37319412004	S1-37319412004	S1-37319412004	S1-37319412004
74	1	Post, Corner Assy, Front	S1-07328307000	S1-07328307000	S1-07328307000	S1-07328307000
75	1	Post, Corner Assy, Left Front	S1-07320120000	S1-07320120000	S1-07320120000	S1-07320120000
76	1	Duct Cover (2 Req'd)	S1-37314853000	S1-37314853000	S1-37314853000	S1-37314853000
77	*	Screen, Flue	S1-02634000000	S1-02634000000	S1-02634000000	S1-02634000000
78	1	Coil Guard, (Front)	S1-02645704000	S1-02645704000	S1-02645704000	S1-02645704000
79	1	Coil Guard, (Side)	S1-02634531000	S1-02634531000	S1-02634531000	S1-02634531000
80	*	Hood, Flue, Exhaust Outlet	S1-07314988000	S1-07314988000	S1-07314988000	S1-07314988000
81	*	Deflector, Air, Front	S1-07314975000	S1-07314975000	S1-07314975000	S1-07314975000
83	*	Kit, Filter Rack	---	S1-37315868000	---	---
84	*	Filter, Air, Alum.	---	S1-02633202006	---	---
Drain Pan & Accessories						
87	*	Pan, Drain	S1-03200177001	S1-03200177001	S1-03200177001	S1-03200177001
88	*	Plug, Drain Pan	S1-02812480000	S1-02812480000	S1-02812480000	S1-02812480000
89	*	Drain Fitting	S1-7430-3011	S1-7430-3011	S1-7430-3011	S1-7430-3011
90	*	Tubing, Drain	S1-02815480000	S1-02815480000	S1-02815480000	S1-02815480000

NOTE: *Not Shown
 New replacement parts shown in **bold** face type at the first printing of parts list dated 2/12.
 Major components and suggested stocking items are shown with shaded item number.
 "<" Across from row indicates a change in that row.
 --- Not applicable to specified model.



ITEM	FIG	DESCRIPTION	D3NZ036N03606	D3NZ036N03625	D3NZ036N03646	D3NZ036N05606
Compressors						
1	3	Compressor	S1-01504126001	S1-01504127001	S1-01504128001	S1-01504126001
2	3	Cushion Mount	S1-02810505000	S1-02810505000	S1-02810505000	S1-02810505000
3	3	Bolt, Compressor	S1-02116047000	S1-02116047000	S1-02116047000	S1-02116047000
Condensor Fan Motor & Air Moving Components						
5	1	Motor, Fan	S1-02425119701	S1-024251197001	S1-02425121700	S1-02425119701
6	1	Blade, Fan	S1-02639408000	S1-02639408000	S1-02639408000	S1-02639408000
7	1	Guard, Fan	S1-02646742000	S1-02646742000	S1-02646742000	S1-02646742000
8	*	Wireway(26")	S1-02810070000	S1-02810070000	S1-02810070000	S1-02810070000
9	1	Roof, Condenser	S1-37328308000	S1-37328308000	S1-37328308000	S1-37328308000
10	*	Kit, Acorn Nut	S1-36390117700	S1-36390117700	S1-36390117700	S1-36390117700
Indoor Blower Motor & Air Moving Components						
12	1	Motor, Blower, Programmed	S1-02435705010	S1-02435705010	S1-02435705010	S1-02435705010
		Motor, Blower, Unprogrammed	S1-02435705000	S1-02435705000	S1-02435705000	S1-02435705000
13	1	Wheel, Blower	S1-02632088003	S1-02632088003	S1-02632088003	S1-02632088003
14	1	Grommet, Motor Mount (3 Req'd)	S1-02814740000	S1-02814740000	S1-02814740000	S1-02814740000
15	1	Ferrule, Motor Mount (3 Req'd)	S1-02320541000	S1-02320541000	S1-02320541000	S1-02320541000
16	1	Housing, Blower	S1-37315053001	S1-37315053001	S1-37315053001	S1-37315053001
17	1	Assembly, Motor Mount	S1-07328479000	S1-07328479000	S1-07328479000	S1-07328479000
18	*	Cutoff, Blower	S1-07315272000	S1-07315272000	S1-07315272000	S1-07315272000
19	1	Plate, Blower	S1-07314983002	S1-07314983002	S1-07314983002	S1-07314983002
20	1	Switch,Aux Limit, Manual Reset	S1-02531834000	S1-02531834000	S1-02531834000	S1-02531834000
Electric Box						
22	*	Relay, Control	S1-02424116000	S1-02424116000	S1-02424116000	S1-02424116000
23	1	Board, Control	S1-03109175000	S1-03109175000	S1-03109175000	S1-03109175000
24	1	Capacitor, Dual Run	S1-02425893700	---	---	S1-02425893700
		Capacitor, Single Run	---	S1-02420043700	S1-02420043700	---
25	1	Transformer	S1-02518452700	S1-02525974700	S1-02525974700	S1-02518452700
26	1	Contact	S1-02432004000	S1-02435803000	S1-02435803000	S1-02432004000
27	1	Lug, Electrical	S1-02521798000	S1-02521798000	S1-02521798000	S1-02521798000
28	1	Assist, Motor Start	S1-02425084000	---	---	S1-02425084000
29	*	Harness, Wire, Control	S1-02541216000	S1-02541216000	S1-02541216000	S1-02541216000
30	*	Diagram, Wiring	280228	280229	280226	280228
31	1	Transformer	---	---	S1-02539924000	---
32	1	Breaker, Circuit	---	S1-02434532000	S1-02434532000	---
33	1	Block, Terminal	---	---	S1-02523083000	---
Evaporator Coil, Condensor Coil, and Piping Components						
36	3	Coil, Evaporator	S1-37329039000	S1-37329039000	S1-37329039000	S1-37329039000
37	3	Valve, Distributor w/Orifice (Evap)	S1-02206844103	S1-02206844103	S1-02206844103	S1-02206844103
38	3	Coil, Condenser	S1-37328295000	S1-37328295000	S1-37328295000	S1-37328295000
39	3	Switch, High Pressure	S1-02538728000	S1-02538728000	S1-02538728000	S1-02538728000
40	3	Switch, Low Pressure	S1-02539909000	S1-02539909000	S1-02539909000	S1-02539909000
41	3	Filter Drier	S1-52634088000	S1-52634088000	S1-52634088000	S1-52634088000
42	3	Connector Tee, Pres Sw. (2 Req'd)	S1-02322437000	S1-02322437000	S1-02322437000	S1-02322437000
43	*	Valve, Schraeder (4 Req'd)	S1-02202475700	S1-02202475700	S1-02202475700	S1-02202475700
44	*	Cap, Seal (2 Req'd)	S1-02310745000	S1-02310745000	S1-02310745000	S1-02310745000
Heating Section, Vent, Blower, and Gas Control Components						
48	2	Heat Exchanger Assy	S1-37314997702	S1-37314997702	S1-37314997702	S1-37314997703
49	2	Plate, Restrictor	S1-07319347002	S1-07319347002	S1-07319347002	S1-07319347003
50	2	Baffle, Restrictor	S1-07314993001	S1-07314993001	S1-07314993001	S1-07314993001
51	2	Flue, Exhaust	S1-07319344000	S1-07319344000	S1-07319344000	S1-07319344000
52	2	Blower, Vent	S1-02633990001	S1-0263399001	S1-0263399001	S1-0263399001
53	2	Gasket, Vent Blower	S1-02812467000	S1-02812467000	S1-02812467000	S1-02812467000
54	2	Valve, Gas	S1-VR8204M1026	S1-VR8204M1026	S1-VR8204M1026	S1-VR8204M1026
55	2	Manifold, Gas	S1-02921179000	S1-02921179000	S1-02921179000	S1-02921179000
56	2	Orifice, Gas (#43)	S1-02920423043	S1-02920423043	S1-02920423043	S1-02920423043
57	2	Ignitor, Spark, Pilot	S1-02541219000	S1-02541219000	S1-02541219000	S1-02541219000
58	2	Switch, Control Rollout	S1-02530862000	S1-02530862000	S1-02530862000	S1-02531812000
59	*	Switch, Limit, Auto Reset	S1-02531835000	S1-02431835000	S1-02431835000	S1-02431813000
60	2	Burner, Gas	S1-02921180000	S1-02921180000	S1-02921180000	S1-02921180000
61	2	Switch, Air Pressure	S1-02525975000	S1-02425975000	S1-02425975000	S1-02425975000
62	*	Gasket, High Temp	S1-02811648000	S1-02811648000	S1-02811648000	S1-02811648000

ITEM	FIG	DESCRIPTION	D3NZ036N03606	D3NZ036N03625	D3NZ036N03646	D3NZ036N05606
Sheet Metal Components						
66	1	Base Rail, Front	S1-07319413000	S1-07319413000	S1-07319413000	S1-07319413000
67	1	Base Rail, Back	S1-07319414000	S1-07319414000	S1-07319414000	S1-07319414000
68	1	Base Rail, Side (2 Req'd)	S1-07319415000	S1-07319415000	S1-07319415000	S1-07319415000
69	1	Post, Corner Assy	S1-37327360000	S1-37327360000	S1-37327360000	S1-37327360000
71	1	Panel, Access, Blower	S1-37314979001	S1-37314979001	S1-37314979001	S1-37314979001
72	1	Panel, Access, Heater	S1-07314981000	S1-07314981000	S1-07314981000	S1-07314981000
73	1	Panel, Duct	S1-37319412004	S1-37319412004	S1-37319412004	S1-37319412004
74	1	Post, Corner Assy, Front	S1-07328307000	S1-07328307000	S1-07328307000	S1-07328307000
75	1	Post, Corner Assy, Left Front	S1-07320120000	S1-07320120000	S1-07320120000	S1-07320120000
76	1	Duct Cover (2 Req'd)	S1-37314853000	S1-37314853000	S1-37314853000	S1-37314853000
77	*	Screen, Flue	S1-02634000000	S1-02634000000	S1-02634000000	S1-02634000000
78	1	Coil Guard, (Front)	S1-02645704000	S1-02645704000	S1-02645704000	S1-02645704000
79	1	Coil Guard, (Side)	S1-02634531000	S1-02634531000	S1-02634531000	S1-02634531000
80	*	Hood, Flue, Exhaust Outlet	S1-07314988000	S1-07314988000	S1-07314988000	S1-07314988000
81	*	Deflector, Air, Front	S1-07314975000	S1-07314975000	S1-07314975000	S1-07314975000
83	*	Kit, Filter Rack	---	S1-37315868000	S1-37315868000	---
84	*	Filter, Air, Alum.	---	S1-02633202006	S1-02633202006	---
Drain Pan & Accessories						
87	*	Pan, Drain	S1-03200177001	S1-03200177001	S1-03200177001	S1-03200177001
88	*	Plug, Drain Pan	S1-02812480000	S1-02812480000	S1-02812480000	S1-02812480000
89	*	Drain Fitting	S1-7430-3011	S1-7430-3011	S1-7430-3011	S1-7430-3011
90	*	Tubing, Drain	S1-02815480000	S1-02815480000	S1-02815480000	S1-02815480000

NOTE: *Not Shown
 New replacement parts shown in **bold** face type at the first printing of parts list dated 2/12.
 Major components and suggested stocking items are shown with shaded item number.
 “<” Across from row indicates a change in that row.
 --- Not applicable to specified model.



ITEM	FIG	DESCRIPTION	D3NZ036N05625	D3NZ036N05646	D3NZ036N07206	D3NZ036N07225
Compressors						
1	3	Compressor	S1-01504127001	S1-01504128001	S1-01504126001	S1-01504127001
2	3	Cushion Mount	S1-02810505000	S1-02810505000	S1-02810505000	S1-02810505000
3	3	Bolt, Compressor	S1-02116047000	S1-02116047000	S1-02116047000	S1-02116047000
Condensor Fan Motor & Air Moving Components						
5	1	Motor, Fan	S1-02425119701	S1-02425121700	S1-02425119701	S1-02425119701
6	1	Blade, Fan	S1-02639408000	S1-02639408000	S1-02639408000	S1-02639408000
7	1	Guard, Fan	S1-02646742000	S1-02646742000	S1-02646742000	S1-02646742000
8	*	Wireway(26")	S1-02810070000	S1-02810070000	S1-02810070000	S1-02810070000
9	1	Roof, Condenser	S1-37328308000	S1-37328308000	S1-37328308000	S1-37328308000
10	*	Kit, Acorn Nut	S1-36390117700	S1-36390117700	S1-36390117700	S1-36390117700
Indoor Blower Motor & Air Moving Components						
12	1	Motor, Blower, Programmed	S1-02435705010	S1-02435705010	S1-02435705010	S1-02435705010
		Motor, Blower, Unprogrammed	S1-02435705000	S1-02435705000	S1-02435705000	S1-02435705000
13	1	Wheel, Blower	S1-02632088003	S1-02632088003	S1-02632088003	S1-02632088003
14	1	Grommet, Motor Mount (3 Req'd)	S1-02814740000	S1-02814740000	S1-02814740000	S1-02814740000
15	1	Ferrule, Motor Mount (3 Req'd)	S1-02320541000	S1-02320541000	S1-02320541000	S1-02320541000
16	1	Housing, Blower	S1-37315053001	S1-37315053001	S1-37315053001	S1-37315053001
17	1	Assembly, Motor Mount	S1-07328479000	S1-07328479000	S1-07328479000	S1-07328479000
18	*	Cutoff, Blower	S1-07315272000	S1-07315272000	S1-07315272000	S1-07315272000
19	1	Plate, Blower	S1-07314983002	S1-07314983002	S1-07314983002	S1-07314983002
20	1	Switch,Aux Limit, Manual Reset	S1-02531834000	S1-02531834000	S1-02531834000	S1-02531834000
Electric Box						
22	*	Relay, Control	S1-02424116000	S1-02424116000	S1-02424116000	S1-02424116000
23	1	Board, Control	S1-03109175000	S1-03109175000	S1-03109175000	S1-03109175000
24	1	Capacitor, Dual Run	---	---	S1-02425893700	---
		Capacitor, Single Run	S1-02420043700	S1-02420043700	---	S1-02420043700
25	1	Transformer	S1-02525973700	S1-02525974700	S1-02518452700	S1-02525973700
26	1	Contact	S1-02435803000	S1-02435803000	S1-02432004000	S1-02435803000
27	1	Lug, Electrical	S1-02521798000	S1-02521798000	S1-02521798000	S1-02521798000
28	1	Assist, Motor Start	---	---	S1-02425084000	---
29	*	Harness, Wire, Control	S1-02541216000	S1-02541216000	S1-02541216000	S1-02541216000
30	*	Diagram, Wiring	280229	280226	280228	280229
31	1	Transformer	---	S1-02439924000	---	---
32	1	Breaker, Circuit	S1-02434532000	S1-02434532000	---	S1-02434532000
33	1	Block, Terminal	---	S1-02523083000	---	---
Evaporator Coil, Condensor Coil, and Piping Components						
36	3	Coil, Evaporator	S1-37329039000	S1-37329039000	S1-37329039000	S1-37329039000
37	3	Valve, Distributor w/Orifice (Evap)	S1-02206844103	S1-02206844103	S1-02206844103	S1-02206844103
38	3	Coil, Condenser	S1-37328295000	S1-37328295000	S1-37328295000	S1-37328295000
39	3	Switch, High Pressure	S1-02538728000	S1-02538728000	S1-02538728000	S1-02538728000
40	3	Switch, Low Pressure	S1-02539909000	S1-02539909000	S1-02539909000	S1-02539909000
41	3	Filter Drier	S1-52634088000	S1-52634088000	S1-52634088000	S1-52634088000
42	3	Connector Tee, Pres Sw. (2 Req'd)	S1-02322437000	S1-02322437000	S1-02322437000	S1-02322437000
43	*	Valve, Schraeder (4 Req'd)	S1-02202475700	S1-02202475700	S1-02202475700	S1-02202475700
44	*	Cap, Seal (2 Req'd)	S1-02310745000	S1-02310745000	S1-02310745000	S1-02310745000
Heating Section, Vent, Blower, and Gas Control Components						
48	2	Heat Exchanger Assy	S1-37314997703	S1-37314997703	S1-37314997704	S1-37314997704
49	2	Plate, Restrictor	S1-07319347003	S1-07319347003	S1-07319347004	S1-07319347004
50	2	Baffle, Restrictor	S1-07314993001	S1-07314993001	S1-07314993001	S1-07314993001
51	2	Flue, Exhaust	S1-07319344000	S1-07319344000	S1-07319344000	S1-07319344000
52	2	Blower, Vent	S1-02633999001	S1-02633999001	S1-02633999001	S1-02633999001
53	2	Gasket, Vent Blower	S1-02812467000	S1-02812467000	S1-02812467000	S1-02812467000
54	2	Valve, Gas	S1-VR8204M1026	S1-VR8204M1026	S1-VR8204M1026	S1-VR8204M1026
55	2	Manifold, Gas	S1-02921179000	S1-02921179000	S1-02921179000	S1-02921179000
56	2	Orifice, Gas (#43)	S1-02920423043	S1-02920423043	S1-02920423043	S1-02920423043
57	2	Ignitor, Spark, Pilot	S1-02541219000	S1-02541219000	S1-02541219000	S1-02541219000
58	2	Switch, Control Rollout	S1-02531812000	S1-02531812000	S1-02531812000	S1-02531812000
59	*	Switch, Limit, Auto Reset	S1-02531813000	S1-02431813000	S1-02431813000	S1-02431813000
60	2	Burner, Gas	S1-02921180000	S1-02921180000	S1-02921180000	S1-02921180000
61	2	Switch, Air Pressure	S1-02435707000	S1-02425975000	S1-02435707000	S1-02425975000
62	*	Gasket, High Temp	S1-02811648000	S1-02811648000	S1-02811648000	S1-02811648000

ITEM	FIG	DESCRIPTION	D3NZ036N05625	D3NZ036N05646	D3NZ036N07206	D3NZ036N07225
Sheet Metal Components						
66	1	Base Rail, Front	S1-07319413000	S1-07319413000	S1-07319413000	S1-07319413000
67	1	Base Rail, Back	S1-07319414000	S1-07319414000	S1-07319414000	S1-07319414000
68	1	Base Rail, Side (2 Req'd)	S1-07319415000	S1-07319415000	S1-07319415000	S1-07319415000
69	1	Post, Corner Assy	S1-37327360000	S1-37327360000	S1-37327360000	S1-37327360000
71	1	Panel, Access, Blower	S1-37314979001	S1-37314979001	S1-37314979001	S1-37314979001
72	1	Panel, Access, Heater	S1-07314981000	S1-07314981000	S1-07314981000	S1-07314981000
73	1	Panel, Duct	S1-37319412004	S1-37319412004	S1-37319412004	S1-37319412004
74	1	Post, Corner Assy, Front	S1-07328307000	S1-07328307000	S1-07328307000	S1-07328307000
75	1	Post, Corner Assy, Left Front	S1-07320120000	S1-07320120000	S1-07320120000	S1-07320120000
76	1	Duct Cover (2 Req'd)	S1-37314853000	S1-37314853000	S1-37314853000	S1-37314853000
77	*	Screen, Flue	S1-02634000000	S1-02634000000	S1-02634000000	S1-02634000000
78	1	Coil Guard, (Front)	S1-02645704000	S1-02645704000	S1-02645704000	S1-02645704000
79	1	Coil Guard, (Side)	S1-02634531000	S1-02634531000	S1-02634531000	S1-02634531000
80	*	Hood, Flue, Exhaust Outlet	S1-07314988000	S1-07314988000	S1-07314988000	S1-07314988000
81	*	Deflector, Air, Front	S1-07314975000	S1-07314975000	S1-07314975000	S1-07314975000
83	*	Kit, Filter Rack	S1-37315868000	S1-37315868000	---	S1-37315868000
84	*	Filter, Air, Alum.	S1-02633202006	S1-02633202006	---	S1-02633202006
Drain Pan & Accessories						
87	*	Pan, Drain	S1-03200177001	S1-03200177001	S1-03200177001	S1-03200177001
88	*	Plug, Drain Pan	S1-02812480000	S1-02812480000	S1-02812480000	S1-02812480000
89	*	Drain Fitting	S1-7430-3011	S1-7430-3011	S1-7430-3011	S1-7430-3011
90	*	Tubing, Drain	S1-02815480000	S1-02815480000	S1-02815480000	S1-02815480000

NOTE: *Not Shown
 New replacement parts shown in **bold** face type at the first printing of parts list dated 2/12.
 Major components and suggested stocking items are shown with shaded item number.
 “<” Across from row indicates a change in that row.
 --- Not applicable to specified model.



ITEM	FIG	DESCRIPTION	D3NZ036N07246	D3NZ042D09006	D3NZ042N06506	D3NZ042N06525
Compressors						
1	3	Compressor	S1-01504128001	S1-01504130001	S1-01504130001	S1-01504131001
2	3	Cushion Mount	S1-02810505000	S1-02810505000	S1-02810505000	S1-02810505000
3	3	Bolt, Compressor	S1-02116047000	S1-02116047000	S1-02116047000	S1-02116047000
Condensor Fan Motor & Air Moving Components						
5	1	Motor, Fan	S1-02425121700	S1-02424117003	S1-02424117003	S1-02424117003
6	1	Blade, Fan	S1-02639408000	S1-02639408000	S1-02639408000	S1-02639408000
7	1	Guard, Fan	S1-02646742000	S1-02646742000	S1-02646742000	S1-02646742000
8	*	Wireway(26")	S1-02810070000	S1-02810070000	S1-02810070000	S1-02810070000
9	1	Roof, Condenser	S1-37328308000	S1-37328308000	S1-37328308000	S1-37328308000
10	*	Kit, Acorn Nut	S1-36390117700	S1-36390117700	S1-36390117700	S1-36390117700
Indoor Blower Motor & Air Moving Components						
12	1	Motor, Blower, Programmed	S1-02435705010	S1-02435705008	S1-02435705008	S1-02435705008
		Motor, Blower, Unprogrammed	S1-02435705000	S1-02435705000	S1-02435705000	S1-02435705000
13	1	Wheel, Blower	S1-02632088003	Included in item #16	Included in item #16	Included in item #16
14	1	Grommet, Motor Mount (3 Req'd)	S1-02814740000	S1-02814740000	S1-02814740000	S1-02814740000
15	1	Ferrule, Motor Mount (3 Req'd)	S1-02320541000	S1-02320541000	S1-02320541000	S1-02320541000
16	1	Housing, Blower	S1-37315053001	S1-02642533000	S1-02642533000	S1-02642533000
17	1	Assembly, Motor Mount	S1-07328479000	S1-07328479000	S1-07328479000	S1-07328479000
18	*	Cutoff, Blower	S1-07315272000	---	---	---
19	1	Plate, Blower	S1-07314983002	S1-07316301001	S1-07316301001	S1-07316301001
20	1	Switch,Aux Limit, Manual Reset	S1-02531834000	S1-02531834000	S1-02531834000	S1-02531834000
Electric Box						
22	*	Relay, Control	S1-02424116000	S1-02424116000	S1-02424116000	S1-02424116000
23	1	Board, Control	S1-03109175000	S1-03109174000	S1-03109175000	S1-03109175000
24	1	Capacitor, Dual Run	---	S1-02425059700	S1-02425059700	---
		Capacitor, Single Run	S1-02420043700	---	---	S1-02420045700
25	1	Transformer	S1-02525974700	S1-02518452700	S1-02518452700	S1-02525973700
26	1	Contacto	S1-02435803000	S1-02432004000	S1-02432004000	S1-02435803000
27	1	Lug, Electrical	S1-02521798000	S1-02521798000	S1-02521798000	S1-02521798000
28	1	Assist, Motor Start	---	S1-02425084000	S1-02425084000	---
29	*	Harness, Wire, Control	S1-02541216000	S1-02541213000	S1-02541216000	S1-02541216000
30	*	Diagram, Wiring	280226	584727	280228	280229
31	1	Transformer	S1-02439924000	---	---	---
32	1	Breaker, Circuit	S1-02434532000	---	---	S1-02434532000
33	1	Block, Terminal	S1-02523083000	---	---	---
Evaporator Coil, Condensor Coil, and Piping Components						
36	3	Coil, Evaporator	S1-37329039000	S1-37329038000	S1-37329038000	S1-37329038000
37	3	Valve, Distributor w/Orifice (Evap)	S1-02206844103	S1-02206844094	S1-02206844094	S1-02206844094
38	3	Coil, Condenser	S1-37328295000	S1-37328296000	S1-37328296000	S1-37328296000
39	3	Switch, High Pressure	S1-02538728000	S1-02538728000	S1-02538728000	S1-02538728000
40	3	Switch, Low Pressure	S1-02539909000	S1-02539909000	S1-02539909000	S1-02539909000
41	3	Filter Drier	S1-52634088000	S1-52634088000	S1-52634088000	S1-52634088000
42	3	Connector Tee, Pres Sw. (2 Req'd)	S1-02322437000	S1-02322437000	S1-02322437000	S1-02322437000
43	*	Valve, Schraeder (4 Req'd)	S1-02202475700	S1-02202475700	S1-02202475700	S1-02202475700
44	*	Cap, Seal (2 Req'd)	S1-02310745000	S1-02310745000	S1-02310745000	S1-02310745000
Heating Section, Vent, Blower, and Gas Control Components						
48	2	Heat Exchanger Assy	S1-37314997704	S1-37316471704	S1-37316471703	S1-37314997704
49	2	Plate, Restrictor	S1-07319347004	S1-07319348004	S1-07319348003	S1-07319348003
50	2	Baffle, Restrictor	S1-07314993001	S1-07314993002	S1-07314993002	S1-07314993002
51	2	Flue, Exhaust	S1-07319344000	S1-07319344000	S1-07319344000	S1-07319344000
52	2	Blower, Vent	S1-02633999001	S1-02646427000	S1-02633999001	S1-02633999001
53	2	Gasket, Vent Blower	S1-02812467000	S1-02812467000	S1-02812467000	S1-02812467000
54	2	Valve, Gas	S1-VR8204M1026	S1-02541218000	S1-VR8204M1026	S1-VR8204M1026
55	2	Manifold, Gas	S1-02921179000	S1-02921178000	S1-02921178000	S1-02921178000
56	2	Orifice, Gas (#43)	S1-02920423043	---	---	---
		Orifice, Gas (#40)	---	S1-02920423040	S1-02920423040	S1-02920423040
57	2	Ignitor, Spark, Pilot	S1-02541219000	S1-02541219000	S1-02541219000	S1-02541219000
58	2	Switch, Control Rollout	S1-02531812000	S1-02531812000	S1-02530862000	S1-02530862000
59	*	Switch, Limit, Auto Reset	S1-02531813000	S1-02437494000	S1-02431835000	S1-02431835000
60	2	Burner, Gas	S1-02921180000	S1-02921180000	S1-02921180000	S1-02921180000
61	2	Switch, Air Pressure	S1-02425975000	S1-02435707000	S1-02425975000	S1-02425975000
62	*	Gasket, High Temp	S1-02811648000	S1-02811648000	S1-02811648000	S1-02811648000

ITEM	FIG	DESCRIPTION	D3NZ036N07246	D3NZ042D09006	D3NZ042N06506	D3NZ042N06525
Sheet Metal Components						
66	1	Base Rail, Front	S1-07319413000	S1-07319413000	S1-07319413000	S1-07319413000
67	1	Base Rail, Back	S1-07319414000	S1-07319414000	S1-07319414000	S1-07319414000
68	1	Base Rail, Side (2 Req'd)	S1-07319415000	S1-07319415000	S1-07319415000	S1-07319415000
69	1	Post, Corner Assy	S1-37327360000	S1-37327359000	S1-37327359000	S1-37327359000
71	1	Panel, Access, Blower	S1-37314979001	S1-37314979002	S1-37314979002	S1-37314979002
72	1	Panel, Access, Heater	S1-07314981000	S1-07314981002	S1-07314981002	S1-07314981002
73	1	Panel, Duct	S1-37319412004	S1-37319412007	S1-37319412007	S1-37319412007
74	1	Post, Corner Assy, Front	S1-07328307000	S1-07328306000	S1-07328306000	S1-07328306000
75	1	Post, Corner Assy, Left Front	S1-07320120000	S1-07320121000	S1-07320121000	S1-07320121000
76	1	Duct Cover (2 Req'd)	S1-37314853000	S1-37314853000	S1-37314853000	S1-37314853000
77	*	Screen, Flue	S1-02634000000	S1-02634000000	S1-02634000000	S1-02634000000
78	1	Coil Guard, (Front)	S1-02645704000	S1-02645703000	S1-02645703000	S1-02645703000
79	1	Coil Guard, (Side)	S1-02634531000	S1-02634573000	S1-02634573000	S1-02634573000
80	*	Hood, Flue, Exhaust Outlet	S1-07314988000	S1-07314988000	S1-07314988000	S1-07314988000
81	*	Deflector, Air, Front	S1-07314975000	S1-07314975000	S1-07314975000	S1-07314975000
83	*	Kit, Filter Rack	S1-37315868000	---	---	S1-37315868000
84	*	Filter, Air, Alum.	S1-02633202006	---	---	S1-02633202006
Drain Pan & Accessories						
87	*	Pan, Drain	S1-03200177001	S1-03200177001	S1-03200177001	S1-03200177001
88	*	Plug, Drain Pan	S1-02812480000	S1-02812480000	S1-02812480000	S1-02812480000
89	*	Drain Fitting	S1-7430-3011	S1-7430-3011	S1-7430-3011	S1-7430-3011
90	*	Tubing, Drain	S1-02815480000	S1-02815480000	S1-02815480000	S1-02815480000

NOTE: *Not Shown
New replacement parts shown in **bold** face type at the first printing of parts list dated 2/12.
Major components and suggested stocking items are shown with shaded item number.
“<” Across from row indicates a change in that row.
--- Not applicable to specified model.



ITEM	FIG	DESCRIPTION	D3NZ042N06546	D3NZ042N09006	D3NZ042N09025	D3NZ042N09046
Compressors						
1	3	Compressor	S1-01504132001	S1-01504130001	S1-01504131001	S1-01504132001
2	3	Cushion Mount	S1-02810505000	S1-02810505000	S1-02810505000	S1-02810505000
3	3	Bolt, Compressor	S1-02116047000	S1-02116047000	S1-02116047000	S1-02116047000
Condensor Fan Motor & Air Moving Components						
5	1	Motor, Fan	S1-02425913700	S1-02424117003	S1-02424117003	S1-02425913700
6	1	Blade, Fan	S1-02639408000	S1-02639408000	S1-02639408000	S1-02639408000
7	1	Guard, Fan	S1-02646742000	S1-02646742000	S1-02646742000	S1-02646742000
8	*	Wireway(26")	S1-02810070000	S1-02810070000	S1-02810070000	S1-02810070000
9	1	Roof, Condenser	S1-37328308000	S1-37328308000	S1-37328308000	S1-37328308000
10	*	Kit, Acorn Nut	S1-36390117700	S1-36390117700	S1-36390117700	S1-36390117700
Indoor Blower Motor & Air Moving Components						
12	1	Motor, Blower, Programmed	S1-02435705008	S1-02435705008	S1-02435705008	S1-02435705008
		Motor, Blower, Unprogrammed	S1-02435705000	S1-02435705000	S1-02435705000	S1-02435705000
13	1	Wheel, Blower	Included in item #16	Included in item #16	Included in item #16	Included in item #16
14	1	Grommet, Motor Mount (3 Req'd)	S1-02814740000	S1-02814740000	S1-02814740000	S1-02814740000
15	1	Ferrule, Motor Mount (3 Req'd)	S1-02320541000	S1-02320541000	S1-02320541000	S1-02320541000
16	1	Housing, Blower	S1-02642533000	S1-02642533000	S1-02642533000	S1-02642533000
17	1	Assembly, Motor Mount	S1-07328479000	S1-07328479000	S1-07328479000	S1-07328479000
18	*	Cutoff, Blower	---	---	---	---
19	1	Plate, Blower	S1-07316301001	S1-07316301001	S1-07316301001	S1-07316301001
20	1	Switch,Aux Limit, Manual Reset	S1-02531834000	S1-02531834000	S1-02531834000	S1-02531834000
Electric Box						
22	*	Relay, Control	S1-02424116000	S1-02424116000	S1-02424116000	S1-02424116000
23	1	Board, Control	S1-03109175000	S1-03109175000	S1-03109175000	S1-03109175000
24	1	Capacitor, Dual Run	---	S1-02425059700	---	---
		Capacitor, Single Run	S1-02420045700	---	S1-02420045700	S1-02420045700
25	1	Transformer	S1-02525974700	S1-02518452700	S1-02525973700	S1-02525974700
26	1	Contacto	S1-02432004000	S1-02432004000	S1-02435803000	S1-02435803000
27	1	Lug, Electrical	S1-02521798000	S1-02521798000	S1-02521798000	S1-02521798000
28	1	Assist, Motor Start	---	S1-02425084000	---	---
29	*	Harness, Wire, Control	S1-02541216000	S1-02541216000	S1-02541216000	S1-02541216000
30	*	Diagram, Wiring	280226	280228	280229	280226
31	1	Transformer	S1-02439924000	---	---	S1-02439924000
32	1	Breaker, Circuit	S1-02434532000	---	S1-02434532000	S1-02434532000
33	1	Block, Terminal	S1-02523083000	---	---	S1-02523083000
Evaporator Coil, Condensor Coil, and Piping Components						
36	3	Coil, Evaporator	S1-37329038000	S1-37329038000	S1-37329038000	S1-37329038000
37	3	Valve, Distributor w/Orifice (Evap)	S1-02206844094	S1-02206844094	S1-02206844094	S1-02206844094
38	3	Coil, Condenser	S1-37328296000	S1-37328296000	S1-37328296000	S1-37328296000
39	3	Switch, High Pressure	S1-02538728000	S1-02538728000	S1-02538728000	S1-02538728000
40	3	Switch, Low Pressure	S1-02539909000	S1-02539909000	S1-02539909000	S1-02539909000
41	3	Filter Drier	S1-52634088000	S1-52634088000	S1-52634088000	S1-52634088000
42	3	Connector Tee, Pres Sw. (2 Req'd)	S1-02322437000	S1-02322437000	S1-02322437000	S1-02322437000
43	*	Valve, Schraeder (4 Req'd)	S1-02202475700	S1-02202475700	S1-02202475700	S1-02202475700
44	*	Cap, Seal (2 Req'd)	S1-02310745000	S1-02310745000	S1-02310745000	S1-02310745000
Heating Section, Vent, Blower, and Gas Control Components						
48	2	Heat Exchanger Assy	S1-37316471703	S1-37316471704	S1-37316471704	S1-37316471704
49	2	Plate, Restrictor	S1-07319348003	S1-07319348004	S1-07319348004	S1-07319348004
50	2	Baffle, Restrictor	S1-07314993002	S1-07314993002	S1-07314993002	S1-07314993002
51	2	Flue, Exhaust	S1-07319344000	S1-07319344000	S1-07319344000	S1-07319344000
52	2	Blower, Vent	S1-02633999001	S1-02633999001	S1-02633999001	S1-02633999001
53	2	Gasket, Vent Blower	S1-02812467000	S1-02812467000	S1-02812467000	S1-02812467000
54	2	Valve, Gas	S1-VR8204M1026	S1-VR8204M1026	S1-VR8204M1026	S1-VR8204M1026
55	2	Manifold, Gas	S1-02921178000	S1-02921178000	S1-02921179000	S1-02921179000
56	2	Orifice, Gas (#40)	S1-02920423040	S1-02920423040	S1-02920423040	S1-02920423040
57	2	Ignitor, Spark, Pilot	S1-02541219000	S1-02541219000	S1-02541219000	S1-02541219000
58	2	Switch, Control Rollout	S1-02530862000	S1-02531812000	S1-02531812000	S1-02531812000
59	*	Switch, Limit, Auto Reset	S1-02531813000	S1-02431813000	S1-02431813000	S1-02431813000
60	2	Burner, Gas	S1-02921180000	S1-02921180000	S1-02921180000	S1-02921180000
61	2	Switch, Air Pressure	S1-02425975000	S1-02425975000	S1-02425975000	S1-02425975000
62	*	Gasket, High Temp	S1-02811648000	S1-02811648000	S1-02811648000	S1-02811648000

ITEM	FIG	DESCRIPTION	D3NZ042N06546	D3NZ042N09006	D3NZ042N09025	D3NZ042N09046
Sheet Metal Components						
66	1	Base Rail, Front	S1-07319413000	S1-07319413000	S1-07319413000	S1-07319413000
67	1	Base Rail, Back	S1-07319414000	S1-07319414000	S1-07319414000	S1-07319414000
68	1	Base Rail, Side (2 Req'd)	S1-07319415000	S1-07319415000	S1-07319415000	S1-07319415000
69	1	Post, Corner Assy	S1-37327359000	S1-37327359000	S1-37327359000	S1-37327359000
71	1	Panel, Access, Blower	S1-37314979002	S1-37314979002	S1-37314979002	S1-37314979002
72	1	Panel, Access, Heater	S1-07314981002	S1-07314981002	S1-07314981002	S1-07314981002
73	1	Panel, Duct	S1-37319412007	S1-37319412007	S1-37319412007	S1-37319412007
74	1	Post, Corner Assy, Front	S1-07328306000	S1-07328306000	S1-07328306000	S1-07328306000
75	1	Post, Corner Assy, Left Front	S1-07320121000	S1-07320121000	S1-07320121000	S1-07320121000
76	1	Duct Cover (2 Req'd)	S1-37314853000	S1-37314853000	S1-37314853000	S1-37314853000
77	*	Screen, Flue	S1-02634000000	S1-02634000000	S1-02634000000	S1-02634000000
78	1	Coil Guard, (Front)	S1-02645703000	S1-02645703000	S1-02645703000	S1-02645703000
79	1	Coil Guard, (Side)	S1-02634573000	S1-02634573000	S1-02634573000	S1-02634573000
80	*	Hood, Flue, Exhaust Outlet	S1-07314988000	S1-07314988000	S1-07314988000	S1-07314988000
81	*	Deflector, Air, Front	S1-07314975000	S1-07314975000	S1-07314975000	S1-07314975000
83	*	Kit, Filter Rack	S1-37315868000	---	S1-37315868000	S1-37315868000
84	*	Filter, Air, Alum.	S1-02633202006	---	S1-02633202006	S1-02633202006
Drain Pan & Accessories						
87	*	Pan, Drain	S1-03200177001	S1-03200177001	S1-03200177001	S1-03200177001
88	*	Plug, Drain Pan	S1-02812480000	S1-02812480000	S1-02812480000	S1-02812480000
89	*	Drain Fitting	S1-7430-3011	S1-7430-3011	S1-7430-3011	S1-7430-3011
90	*	Tubing, Drain	S1-02815480000	S1-02815480000	S1-02815480000	S1-02815480000

NOTE: *Not Shown
 New replacement parts shown in **bold** face type at the first printing of parts list dated 2/12.
 Major components and suggested stocking items are shown with shaded item number.
 “<” Across from row indicates a change in that row.
 --- Not applicable to specified model.

For Lo-Nox Models listed below, all componets are identical with the models above except for the addition of lo-nox screens part number S1-02634598000 (1 per burner).

LO-NOX MODELS			
D3NZ024N03606NX	D3NZ030N03606NX	D3NZ036N03606NX	D3NZ042N06506NX
D3NZ024N05606NX	D3NZ030N05606NX	D3NZ036N03625NX	D3NZ042N06525NX
D3NZ024D05606NX	D3NZ030N03625NX	D3NZ036N03646NX	D3NZ042N06546NX
	D3NZ030N03646NX	D3NZ036N05606NX	D3NZ042N09006NX
	D3NZ030N05625NX	D3NZ036D05606NX	D3NZ042D09006NX
	D3NZ030N05646NX	D3NZ036N05625NX	D3NZ042N09025NX
	D3NZ030D05606NX	D3NZ036N05646NX	D3NZ042N09046NX
		D3NZ036N07206NX	
		D3NZ036N07225NX	
		D3NZ036N07246NX	
		D3NZ036D07206NX	

TO ORDER AUTHORIZED FACTORY REPLACEMENT PARTS - Contact your Source1 HVAC Parts Distributor or visit our website at www.Source1Parts.com for a Distributor and Dealer listing.