



www.Source1Parts.com

GY8S SERIES 80% UPFLOW/HORIZONTAL NATURAL GAS FURNACES (STYLE D, some B)

INCLUDES LO-NOX MODELS LY8S

HVAC SERVICE PARTS

Supersedes: 035-21285-001 Rev. A (1206)

035-21285-001 Rev. B (1007)

1 of 8

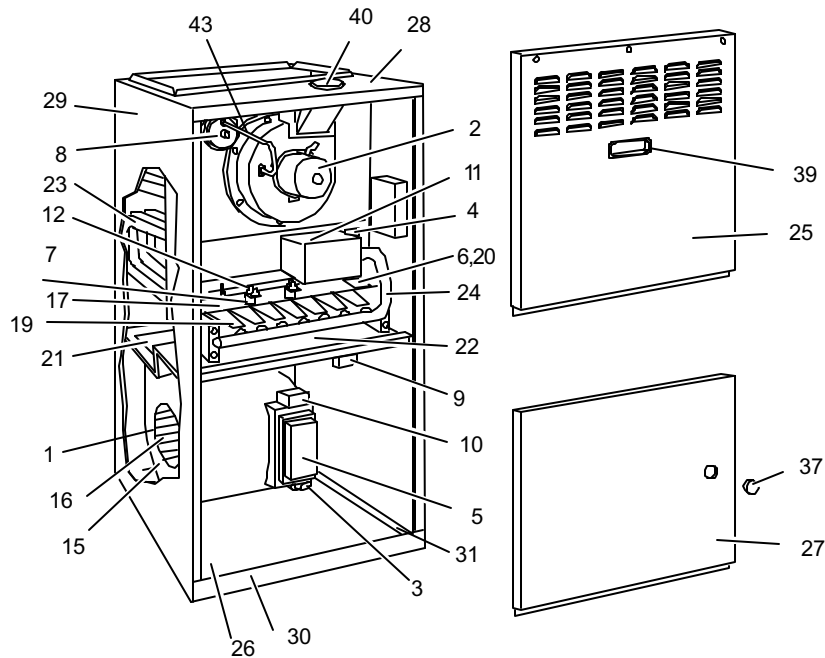


Figure 1: UPFLOW/HORIZONTAL GAS FURNACES (80%)

FIG	ITEM	DESCRIPTION	GY8S040A12UH11D	GY8S060A12UH11D	GY8S080A12UH11D	GY8S080B16UH11D
			LY8S040A12UH11D	LY8S060A12UH11D	LY8S080A12UH11D	LY8S080B16UH11D
			(2 BURNER)	(3 BURNER)	(4 BURNER)	(4 BURNER)
MOTOR						
1	1	MOTOR, DIRECT DRIVE BLOWER	S1-02435647000	S1-02435647000	S1-02435647000	S1-02426002000
1	2	MOTOR, VENTOR ASS'Y	S1-02435329000	S1-02435329000	S1-02435329000	S1-02435329000
ELECTRICAL						
1	3	CAPACITOR (10MFD/370V) [RC]	S1-02420046000	S1-02420046000	S1-02420046000	S1-02420046000
1	4	CONTROL, HIGH LIMIT [LS1]	S1-02529041011	S1-02529041002	S1-02529041005	S1-02529041005
1	5	CONTROL, FURNACE [FC]	S1-03109166000	S1-03109166000	S1-03109166000	S1-03109166000
1	6	IGNITER	S1-02532625000	S1-02532625000	S1-02532625000	S1-02532625000
1,2	7	SENSOR, FLAME	S1-02527773000	S1-02527773000	S1-02527773000	S1-02527773000
1	8	SWITCH, AIR PRESSURE [1LP]	S1-02435270000	S1-02435271000	S1-02435271000	S1-02435271000
1	9	SWITCH, DOOR [SW]	S1-02431943000	S1-02431943000	S1-02431943000	S1-02431943000
1	10	TRANSFORMER	S1-02530889000	S1-02530889000	S1-02530889000	S1-02530889000
1,2	11	VALVE, GAS	S1-02537426000	S1-02537426000	S1-02537426000	S1-02537426000
1,2	12	CONTROL, LIMIT (Top) [ROS3]	S1-02527747016	S1-02527747016	S1-02527747016	S1-02527747016
2	12A	CONTROL, LIMIT (Side, 2 Req'd) [ROS1, 2]	S1-02527792009	S1-02527792009	S1-02527792009	S1-02527792009
*	14	FUSE	S1-02532746026	S1-02532746026	S1-02532746026	S1-02532746026
AIR MOVING						
1	15	HOUSING, BLOWER	S1-37317827001	S1-37317827001	S1-37317827001	S1-37317827002
1	16	WHEEL, BLOWER	S1-02619654003	S1-02619654003	S1-02619654003	S1-02619654009

NOTE: *Not Shown
 New replacement parts shown in **bold** face type at the first printing of parts list dated 10/07.
 Major components and suggested stocking items are shown with shaded item number.
 “<” Across from row indicates a change in that row.
 --- Not applicable to specified model.

FIG	ITEM	DESCRIPTION	GY8S040A12UH11D	GY8S060A12UH11D	GY8S080A12UH11D	GY8S080B16UH11D
			LY8S040A12UH11D	LY8S060A12UH11D	LY8S080A12UH11D	LY8S080B16UH11D
			(2 BURNER)	(3 BURNER)	(4 BURNER)	(4 BURNER)
FABRICATED PARTS						
1	17	SHIELD, SECONDARY AIR	S1-07317404002	S1-07317404003	S1-07317404004	S1-07317404004
*	18	BAFFLE, FLUE	S1-07317775001	S1-07317775001	S1-07317775002	S1-07317775002
1,2	19	BURNER, MAIN GAS	S1-02920482000	S1-02920482000	S1-02920482000	S1-02920482000
1	20	BRACKET, IGNITER	S1-07317403000	S1-07317403000	S1-07317403000	S1-07317403000
1	21	DECK, BLOWER (Rear)	S1-07317502001	S1-07317502001	S1-07317502001	S1-07312081000
1	22	DECK, FRONT	S1-07317496000	S1-07317496000	S1-07317496000	S1-07317497000
1	23	HEAT EXCHANGER ASS'Y (Primary)	S1-37323820009	S1-37323820010	S1-37323820011	S1-37323820015
1,2	24	MANIFOLD, GAS	S1-02922114001	S1-02922114002	S1-02922114003	S1-02922114003
1	25	PANEL, VEST ACCESS (Burner)	S1-07319862031	S1-07319862031	S1-07319862031	S1-07319862032
1	26	PAN, BASE	S1-07319813090	S1-07319813090	S1-07319813090	S1-07319812090
1	27	PANEL, BLOWER ACCESS	S1-07319862041	S1-07319862041	S1-07319862041	S1-07319862042
1	28	PANEL, TOP	S1-07319862065	S1-07319862065	S1-07319862065	S1-07319862066
1	29	WRAPPER , INSULATED	S1-37319862011	S1-37319862011	S1-37319862011	S1-37319862012
1	30	CHANNEL, TOE PLATE	S1-07319862055	S1-07319862055	S1-07319862055	S1-07319862056
1	31	BASE FRAME, SIDE (2 Req'd)	S1-07319811085	S1-07319811085	S1-07319811085	S1-07319811086
*	32	PLATE, RESTRICTOR	S1-07323821010	S1-07323821011	S1-07323821012	S1-07323821013
*	33	SHIELD, INDUCER	S1-07319852100	S1-07319852100	S1-07319852100	S1-07319852100
2	34	BRACKET, ROLL-OUT SWITCH	S1-07312033000	S1-07312033000	S1-07312033000	S1-07312033000
MISCELLANEOUS						
	35					
	36					
1	37	PLUG HOLE WINDOW CLEAR-1.5	S1-02537005000	S1-02921182045	S1-02921182045	S1-02921182045
2	38	ORIFICE, BURNER (Natural #45)	S1-02921182045	S1-02921182045	S1-02921182045	S1-02921182045
1	39	HANDLE, DOOR	S1-02814886000	S1-02814886000	S1-02814886000	S1-02814886000
1	40	COLLAR, FLUE	S1-07317507000	S1-07317507000	S1-07317507000	S1-07317507000
*	41	GROMMET, 1/2" DIA.	S1-02530823000	S1-02530823000	S1-02530823000	S1-02530823000
*	42	GASKET, RESTRICTOR PLATE	S1-02813258000	S1-02813258000	S1-02813259000	S1-02813281000
1	43	TUBING, SILICONE	S1-02812499000	S1-02812499000	S1-02812499000	S1-02812499000
*	44	SPRING, DOOR	S1-02922119000	S1-02922119000	S1-02922119000	S1-02922119000
*	45	WIRING DIAGRAM	166738	166738	166738	166738
*	46	WIRING HARNESS	S1-02539871001	S1-02539871001	S1-02539871001	S1-02539871001
*	47	FERRULE (3 Req'd)	S1-02320541000	S1-02320541000	S1-02320541000	S1-02320541000
*	48	GROMMET (3 Req'd)	S1-02814740000	S1-02814740000	S1-02814740000	S1-02814740000
*	49	BEZEL/LOGO PLATE ASSY	S1-37323701003	S1-37323701003	S1-37323701003	S1-37323701003
*	50	MOTOR MOUNT	S1-07319831001	S1-07319831001	S1-07319831001	S1-07319831001
*	51	LO-NOX SCREEN (LY8S ONLY)	S1-02635452000	S1-02635452000	S1-02635452000	S1-02635452000
*	52	GASKET KIT, INDUCER MOTOR	S1-37323882001	S1-37323882001	S1-37323882001	S1-37323882001

NOTE: *Not Shown

New replacement parts shown in **bold** face type at the first printing of parts list dated 10/07.

Major components and suggested stocking items are shown with shaded item number.

"<" Across from row indicates a change in that row.

--- Not applicable to specified model.



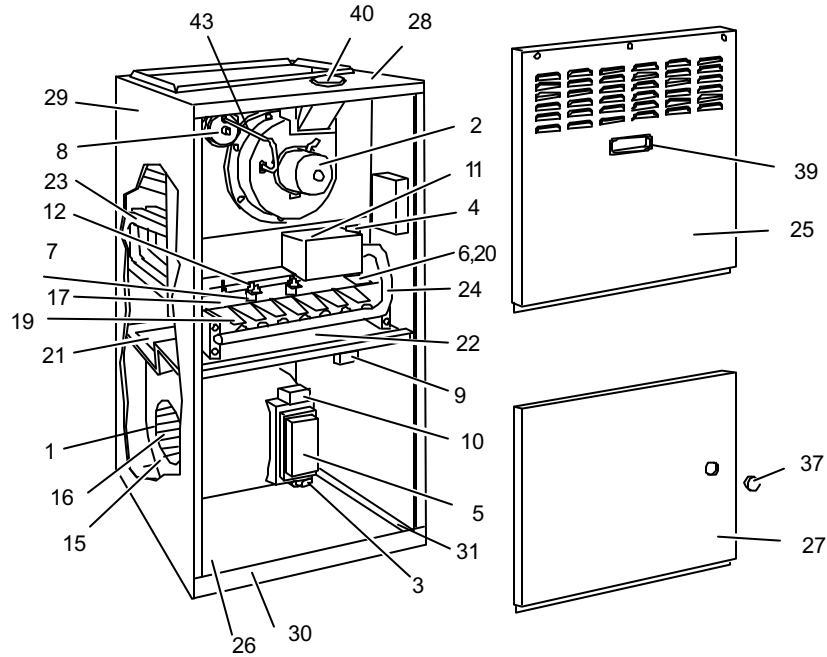


Figure 1: UPFLOW/HORIZONTAL GAS FURNACES (80%)

FIG	ITEM	DESCRIPTION	GY8S080C16UH11B	GY8S080C22UH11D	GY8S100B12UH11D
			LY8S080C16UH11B (4 BURNER)	LY8S080C20UH11D (4 BURNER)	LY8S100B12UH11D (5 BURNER)
MOTOR					
1	1	MOTOR, DIRECT DRIVE BLOWER	S1-02426002000	S1-02432056000	S1-02435647000
1	2	MOTOR, VENTOR ASS'Y	S1-02435329000	S1-02435329000	S1-02435329000
ELECTRICAL					
1	3	CAPACITOR (10MFD/370V) [RC]	S1-02420046000	---	S1-02420046000
		CAPACITOR (15MFD/370V) [RC]	---	S1-02425900000	---
2	4	CONTROL, HIGH LIMIT [LS1]	S1-02529041005	S1-02529041005	S1-02529041005
1	5	CONTROL, FURACE [FC]	S1-03109166000	S1-03109166000	S1-03109166000
1	6	IGNITER	S1-02532625000	S1-02532625000	S1-02532625000
1,2	7	SENSOR, FLAME	S1-02527773000	S1-02527773000	S1-02527773000
1	8	SWITCH, AIR PRESSURE [1LP]	S1-02435271000	S1-02435271000	S1-02435272000
1	9	SWITCH, DOOR [SW]	S1-02431943000	S1-02431943000	S1-02431943000
1	10	TRANSFORMER	S1-02530889000	S1-02530889000	S1-02530889000
1,2	11	VALVE, GAS	S1-02537426000	S1-02537426000	S1-02537426000
1,2	12	CONTROL, LIMIT (Top) [ROS3]	S1-02527747016	S1-02527747016	S1-02527747018
2	12A	CONTROL, LIMIT (Side, 2 Req'd) [ROS1, 2]	S1-02527792009	S1-02527792009	S1-02527792009
	13				
*	14	FUSE	S1-02532746026	S1-02532746026	S1-02532746026
AIR MOVING					
1	15	HOUSING, BLOWER	S1-37317828001	S1-37319870502	S1-37317827001
1	16	WHEEL, BLOWER	S1-02619654005	S1-02638510000	S1-02619654003
*	16A	PANEL, FILLER WRAP	---	---	---

NOTE: *Not Shown

New replacement parts shown in bold face type at the first printing of parts list code dated 10/07.

Major components and suggested stocking items are shown with shaded item number

"<" Across from row indicates a change in that row.

--- Not applicable to specified model.



FIG	ITEM	DESCRIPTION	GY8S080C16UH11B	GY8S080C22UH11D	GY8S100B12UH11D
			LY8S080C16UH11B	LY8S080C20UH11D	LY8S100B12UH11D
			(4 BURNER)	(4 BURNER)	(5 BURNER)
FABRICATED PARTS					
1	17	SHIELD, SECONDARY AIR	S1-07317404004	S1-07317404004	S1-07317404005
*	18	BAFFLE, FLUE	S1-07317775002	S1-07317775002	S1-07317775003
1,2	19	BURNER, MAIN GAS	S1-02920482000	S1-02920482000	S1-02920482000
1	20	BRACKET, IGNITER	S1-07317403000	S1-07317403000	S1-07317403000
1	21	DECK, BLOWER (Rear)	S1-07312081000	S1-07323737001	S1-07312081000
1	22	DECK, FRONT	S1-07317498000	S1-07317498000	S1-07317497000
1	23	HEAT EXCHANGER ASS'Y (Primary)	S1-37323820016	S1-37323820016	S1-37323820012
1,2	24	MANIFOLD, GAS	S1-02922114003	S1-02922114003	S1-02922114004
1	25	PANEL, VEST ACCESS (Burner)	S1-07319862033	S1-07319862033	S1-07319862032
1	26	PAN, BASE	S1-07319816090	S1-07319816090	S1-07319812090
1	27	PANEL, BLOWER ACCESS	S1-07319862043	S1-07319862043	S1-07319862042
1	28	PANEL, TOP	S1-07319862067	S1-07319862067	S1-07319862066
1	29	WRAPPER, INSULATED	S1-37319862013	S1-37319862013	S1-37319862012
1	30	CHANNEL, TOE PLATE	S1-07319862057	S1-07319862057	S1-07319862056
1	31	BASE FRAME, SIDE (2 Req'd)	S1-07319811085	S1-07319811085	S1-07319811085
*	32	PLATE, RESTRICTOR (N-Models)	S1-07323821014	S1-07323821014	S1-07323821015
		PLATE, RESTRICTOR (L-Models)	S1-07323821014	S1-07323821008	S1-07323821015
*	33	SHIELD, INDUCER	S1-07319852100	S1-07319852100	S1-07319852100
2	34	BRACKET, ROLL-OUT SWITCH	S1-07312033000	S1-07312033000	S1-07312033000
MISCELLANEOUS					
	35				
	36				
1	37	PLUG HOLE WINDOW CLEAR-1.5	S1-02537005000	S1-02537005000	S1-02537005000
2	38	ORIFICE, BURNER (Natural #45)	S1-02921182045	S1-02921182045	S1-02921182045
1	39	HANDLE, DOOR	S1-02814886000	S1-02814886000	S1-02814886000
1	40	COLLAR, FLUE	S1-07317507000	S1-07317507000	S1-07317507000
*	41	GROMMET, 1/2" DIA.	S1-02530823000	S1-02530823000	S1-02530823000
*	42	GASKET, RESTRICTOR PLATE	S1-02813282000	S1-02813282000	S1-02813260000
1	43	TUBING, SILICONE	S1-02812499000	S1-02812499000	S1-02812499000
*	44	SPRING, DOOR	S1-02922119000	S1-02922119000	S1-02922119000
*	45	WIRING DIAGRAM	166738	166738	166738
*	46	WIRING HARNESS	S1-02539871001	S1-02539871001	S1-02539871001
*	47	FERRULE (3 Req'd)	S1-02320541000	S1-02320541000	S1-02320541000
*	48	GROMMET (3 Req'd)	S1-02814740000	S1-02814740000	S1-02814740000
	49	BEZEL/LOGO PLATE ASSY	S1-37323701003	S1-37323701003	S1-37323701003
*	50	MOTOR MOUNT	S1-07319831001	S1-07319831001	S1-07319831001
*	51	LO-NOX SCREEN (LY8S ONLY)	S1-02635452000	S1-02635452000	S1-02635452000
*	52	GASKET KIT, INDUCER MOTOR	S1-37323882001	S1-37323882001	S1-37323882001

NOTE: *Not Shown

New replacement parts shown in **bold** face type at the first printing of parts list dated 10/07.

Major components and suggested stocking items are shown with shaded item number.

"←" Across from row indicates a change in that row.

--- Not applicable to specified model.

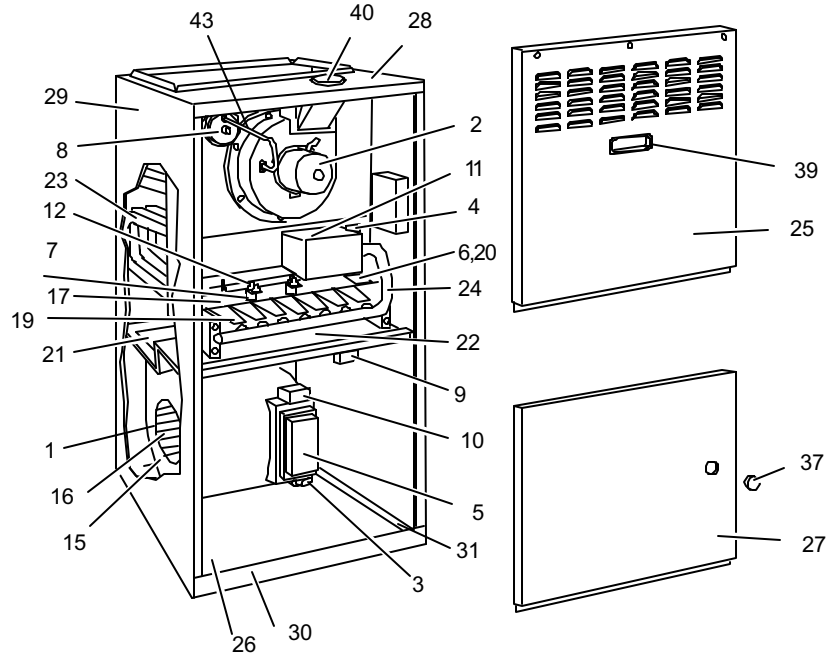


Figure 1: UPFLOW/HORIZONTAL GAS FURNACES (80%)

FIG	ITEM	DESCRIPTION	GY8S100B16UH11D	GY8S100C16UH11B	GY8S100C20UH11D
			LY8S100B16UH11D	LY8S100C16UH11B	LY8S100C20UH11D
			(5 BURNER)	(5 BURNER)	(5 BURNER)
MOTOR					
1	1	MOTOR, DIRECT DRIVE BLOWER	S1-02426002000	S1-02426002000	S1-02432056000
1	2	MOTOR, VENTOR ASS'Y	S1-02435329000	S1-02435329000	S1-02435329000
ELECTRICAL					
1	3	CAPACITOR (10MFD/370V) [RC]	S1-02420046000	S1-02420046000	---
		CAPACITOR (15MFD/370V) [RC]	---	---	S1-02425900000
1	4	CONTROL, HIGH LIMIT [LS1]	S1-02529041005	S1-02538970000	S1-02538409000
1	5	CONTROL, FURNACE [FC]	S1-03109166000	S1-03109166000	S1-03109166000
1	6	IGNITER	S1-02532625000	S1-02532625000	S1-02532625000
1,2	7	SENSOR, FLAME	S1-02527773000	S1-02527773000	S1-02527773000
1	8	SWITCH, AIR PRESSURE [1LP]	S1-02435272000	S1-02435272000	S1-02435272000
1	9	SWITCH, DOOR [SW]	S1-02431943000	S1-02431943000	S1-02431943000
1	10	TRANSFORMER	S1-02530889000	S1-02530889000	S1-02530889000
1,2	11	VALVE, GAS	S1-02537426000	S1-02537426000	S1-02537426000
1,2	12	CONTROL, LIMIT (Top, 2 Req'd) [ROS3]	S1-02527747018	S1-02527747018	S1-02527747018
2	12A	CONTROL, LIMIT (Side, 2 Req'd) [ROS1,2]	S1-02527792009	S1-02527792009	S1-02527792009
	13				
*	14	FUSE	S1-02532746026	S1-02532746026	S1-02532746026
AIR MOVING					
1	15	HOUSING, BLOWER	S1-37317827002	S1-37317828001	S1-37319870502
1	16	WHEEL, BLOWER	S1-02619654009	S1-02619654005	S1-02638510000
*	16A	PANEL, FILLER WRAP	---	---	S1-06378006000

NOTE: *Not Shown

New replacement parts shown in **bold** face type at the first printing of parts list dated 10/07.

Major components and suggested stocking items are shown with shaded item number.

"<" Across from row indicates a change in that row.

--- Not applicable to specified model.



FIG	ITEM	DESCRIPTION	GY8S100B16UH11D	GY8S100C16UH11B	GY8S100C20UH11D
			LY8S100B16UH11D	LY8S100C16UH11B	LY8S100C20UH11D
			(5 BURNER)	(5 BURNER)	(5 BURNER)
FABRICATED PARTS					
1	17	SHIELD, SECONDARY AIR	S1-07317404005	S1-07317404005	S1-07317404005
*	18	BAFFLE, FLUE	S1-07317775003	S1-07317775003	S1-07317775003
1,2	19	BURNER, MAIN GAS	S1-02920482000	S1-02920482000	S1-02920482000
1	20	BRACKET, IGNITER	S1-07317403000	S1-07317403000	S1-07317403000
1	21	DECK, BLOWER (Rear)	S1-07312081000	S1-07312081000	S1-07323737001
1	22	DECK, FRONT	S1-07317497000	S1-07317498000	S1-07317498000
1	23	HEAT EXCHANGER ASS'Y (Primary)	S1-37323820012	S1-37323820017	S1-37323820017
1,2	24	MANIFOLD, GAS	S1-02922114004	S1-02922114004	S1-02922114004
1	25	PANEL, VEST ACCESS (Burner)	S1-07319862032	S1-07319862033	S1-07319862033
1	26	PAN, BASE	S1-07319812090	S1-07319816090	S1-07319816090
1	27	PANEL, BLOWER ACCESS	S1-07319862042	S1-07319862043	S1-07319862043
1	28	PANEL, TOP	S1-07319862066	S1-07319862067	S1-07319862067
1	29	WRAPPER, INSULATED	S1-37319862012	S1-37319862013	S1-37319862013
1	30	CHANNEL, TOE PLATE	S1-07319862056	S1-07319862057	S1-07319862057
1	31	BASE FRAME, SIDE (2 Req'd)	S1-07319811085	S1-07319811085	S1-07319811085
*	32	PLATE, RESTRICTOR	S1-07323821015	S1-07323821015	S1-07323821016
*	33	SHIELD, INDUCER	S1-07319852100	S1-07319852100	S1-07319852100
2	34	BRACKET, ROLL-OUT SWITCH (2 Req'd)	S1-07312033000	S1-07312033000	S1-07312033000
MISCELLANEOUS					
	35				
	36				
1	37	PLUG HOLE WINDOW CLEAR-1.5	S1-02537005000	S1-02537005000	S1-02537005000
2	38	ORIFICE, BURNER (Natural #45)	S1-02921182045	S1-02921182045	S1-02921182045
1	39	HANDLE, DOOR	S1-02814886000	S1-02814886000	S1-02814886000
1	40	COLLAR, FLUE	S1-07317507000	S1-07317507000	S1-07317507000
*	41	GROMMET, 1/2" DIA.	S1-02530823000	S1-02530823000	S1-02530823000
*	42	GASKET, RESTRICTOR PLATE	S1-02813260000	S1-02813260000	S1-02813283000
1	43	TUBING, SILICONE	S1-02812499000	S1-02812499000	S1-02812499000
*	44	SPRING, DOOR	S1-02922119000	S1-02922119000	S1-02922119000
*	45	WIRING DIAGRAM	166738	166738	166738
*	46	WIRING HARNESS	S1-02539871001	S1-02539871001	S1-02539871001
*	47	FERRULE (3 Req'd)	S1-02320541000	S1-02320541000	S1-02320541000
*	48	GROMMET (3 Req'd)	S1-02814740000	S1-02814740000	S1-02814740000
*	49	BEZEL/LOGO PLATE ASSY	S1-37323701003	S1-37323701003	S1-37323701003
*	50	MOTOR MOUNT	S1-07319831001	S1-07319831001	S1-07319831001
*	51	LO-NOX SCREEN (LY8S ONLY)	S1-02635452000	S1-02635452000	S1-02635452000
*	52	GASKET KIT, INDUCER MOTOR	S1-37323882001	S1-37323882001	S1-37323882001

NOTE: *Not Shown

New replacement parts shown in **bold** face type at the first printing of parts list dated 10/07.

Major components and suggested stocking items are shown with shaded item number.

"←" Across from row indicates a change in that row.

--- Not applicable to specified model.

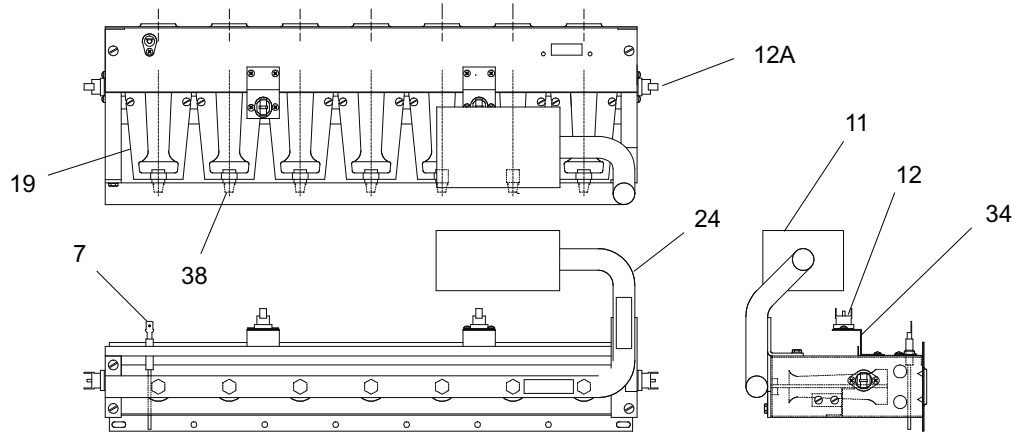


Figure 2: GAS CONTROLS

FIG	ITEM	DESCRIPTION	GY8S115C16UH11D	GY8S115C20UH11D	GY8S130D20UH11D
			----	LY8S115C20UH11D	LY8S130D20UH11D
			(6 BURNER)	(6 BURNER)	(7 BURNER)
MOTOR					
1	1	MOTOR, DIRECT DRIVE BLOWER	S1-02426002000	S1-02432056000	S1-02432056000
1	2	MOTOR, VENTOR ASS'Y	S1-02435329000	S1-02435329000	S1-02435329000
ELECTRICAL					
1	3	CAPACITOR (10MFD/370V) [RC]	S1-02420046000	---	---
		CAPACITOR (15MFD/370V) [RC]	---	S1-02425900000	S1-02425900000
1	4	CONTROL, HIGH LIMIT [LS1]	S1-02529041005	S1-02529041005	S1-02529041005
1	5	CONTROL, FURNACE [FC]	S1-03109166000	S1-03109166000	S1-03109166000
1	6	IGNITER	S1-02532625000	S1-02532625000	S1-02532625000
1,2	7	SENSOR, FLAME	S1-02527773000	S1-02527773000	S1-02527773000
1	8	SWITCH, AIR PRESSURE [1LP]	S1-02435272000	S1-02435272000	S1-02435272000
1	9	SWITCH, DOOR [SW]	S1-02431943000	S1-02431943000	S1-02431943000
1	10	TRANSFORMER	S1-02530889000	S1-02530889000	S1-02530889000
1,2	11	VALVE, GAS	S1-02537426000	S1-02537426000	S1-02537426000
1,2	12	CONTROL, LIMIT (Top, 2 Req'd) [ROS3]	S1-02527747018	S1-02527747018	S1-02527747018
2	12A	CONTROL, LIMIT (Side, 2 Req'd) [ROS1,2]	S1-02527792009	S1-02527792009	S1-02527792009
	13				
*	14	FUSE	S1-02532746026	S1-02532746026	S1-02532746026
AIR MOVING					
1	15	HOUSING, BLOWER	S1-37317828001	S1-37319870502	S1-37319870502
1	16	WHEEL, BLOWER	S1-02619654005	S1-02638510000	S1-02638510000
*	16A	PANEL, FILLER WRAP	---	S1-06378006000	S1-06378006000

NOTE: *Not Shown
 New replacement parts shown in **bold** face type at the first printing of parts list dated 10/07.
 Major components and suggested stocking items are shown with shaded item number.
 "<" Across from row indicates a change in that row.
 --- Not applicable to specified model.



FIG	ITEM	DESCRIPTION	GY8S115C16UH11D	GY8S115C20UH11D	GY8S130D20UH11D
			----	LY8S115C20UH11D	LY8S130D20UH11D
			(6 BURNER)	(6 BURNER)	(7 BURNER)
FABRICATED PARTS					
1	17	SHIELD, SECONDARY AIR	S1-07317404006	S1-07317404006	S1-07317404007
*	18	BAFFLE, FLUE	S1-07317775004	S1-07317775004	S1-07317775005
1,2	19	BURNER, MAIN GAS	S1-02920482000	S1-02920482000	S1-02920482000
1	20	BRACKET, IGNITER	S1-07317403000	S1-07317403000	S1-07317403000
1	21	DECK, BLOWER (Rear)	S1-07312082000	S1-07323737001	S1-07323737002
1	22	DECK, FRONT	S1-07317498000	S1-07317498000	S1-07317499000
1	23	HEAT EXCHANGER ASS'Y (Primary)	S1-37323820013	S1-37323820013	S1-37323820014
1,2	24	MANIFOLD, GAS	S1-02922114005	S1-02922114005	S1-02922114006
1	25	PANEL, VEST ACCESS (Burner)	S1-07319862033	S1-07319862033	S1-07319862034
1	26	PAN, BASE	S1-07319816090	S1-07319816090	S1-07319820090
1	27	PANEL, BLOWER ACCESS	S1-07319862043	S1-07319862043	S1-07319862044
1	28	PANEL, TOP	S1-07319862063	S1-07319862063	S1-07319862064
1	29	WRAPPER, INSULATED	S1-37319862013	S1-37319862013	S1-37319862014
1	30	CHANNEL, TOE PLATE	S1-07319862053	S1-07319862053	S1-07319862054
1	31	BASE FRAME, SIDE (2 Req'd)	S1-07319811085	S1-07319811085	S1-07319811085
*	32	PLATE, RESTRICTOR	S1-07323821017	S1-07323821018	S1-07323821019
*	33	SHIELD, INDUCER	S1-07319852100	S1-07319852100	S1-07319852100
2	34	BRACKET, ROLL-OUT SWITCH (2 Req'd)	S1-07312033000	S1-07312033000	S1-07312033000
MISCELLANEOUS					
	35				
	36				
1	37	PLUG HOLE WINDOW CLEAR-1.5	S1-02537005000	S1-02537005000	S1-02537005000
2	38	ORIFICE, BURNER (Natural #45)	S1-02921182045	S1-02921182045	S1-02921182045
1	39	HANDLE, DOOR	S1-02814886000	S1-02814886000	S1-02814886000
1	40	COLLAR, FLUE	S1-07317507000	S1-07317507000	S1-07317507000
*	41	GROMMET, 1/2" DIA.	S1-02530823000	S1-02530823000	S1-02530823000
*	42	GASKET, RESTRICTOR PLATE	S1-02813261000	S1-02813261000	S1-02813262000
1	43	TUBING, SILICONE	S1-02812499000	S1-02812499000	S1-02812499000
*	44	SPRING, DOOR	S1-02922119000	S1-02922119000	S1-02922119000
*	45	WIRING DIAGRAM	166738	166738	166738
*	46	WIRING HARNESS	S1-02539871002	S1-02539871002	S1-02539871002
*	47	FERRULE (3 Req'd)	S1-02320541000	S1-02320541000	S1-02320541000
*	48	GROMMET (3 Req'd)	S1-02814740000	S1-02814740000	S1-02814740000
*	49	BEZEL/LOGO PLATE ASSY	S1-37323701003	S1-37323701003	S1-37323701003
*	50	MOTOR MOUNT	S1-07319831001	S1-07319831001	S1-07319831001
*	51	LO-NOX SCREEN (LY8S ONLY)	S1-02635452000	S1-02635452000	S1-02635452000
*	52	GASKET KIT, INDUCER MOTOR	S1-37323882001	S1-37323882001	S1-37323882001

NOTE: *Not Shown
 New replacement parts shown in **bold** face type at the first printing of parts list dated 10/07.
 Major components and suggested stocking items are shown with shaded item number.
 "<" Across from row indicates a change in that row.
 --- Not applicable to specified model.

TO ORDER AUTHORIZED FACTORY REPLACEMENT PARTS - Contact your Source1 HVAC Parts Distributor or visit our website at www.Source1Parts.com for a Distributor and Dealer listing.