



www.Source1Parts.com

**PT8 SERIES 2-STAGE DOWNFLOW/HORIZONTAL
NATURAL GAS FURNACE (80%) (STYLE C, some B)
INCLUDES LO-NOX MODELS**

HVAC SERVICE PARTS

Supersedes: 035-21349-001 Rev. A (0307)

035-21349-001 Rev. B (0109)

1 of 4

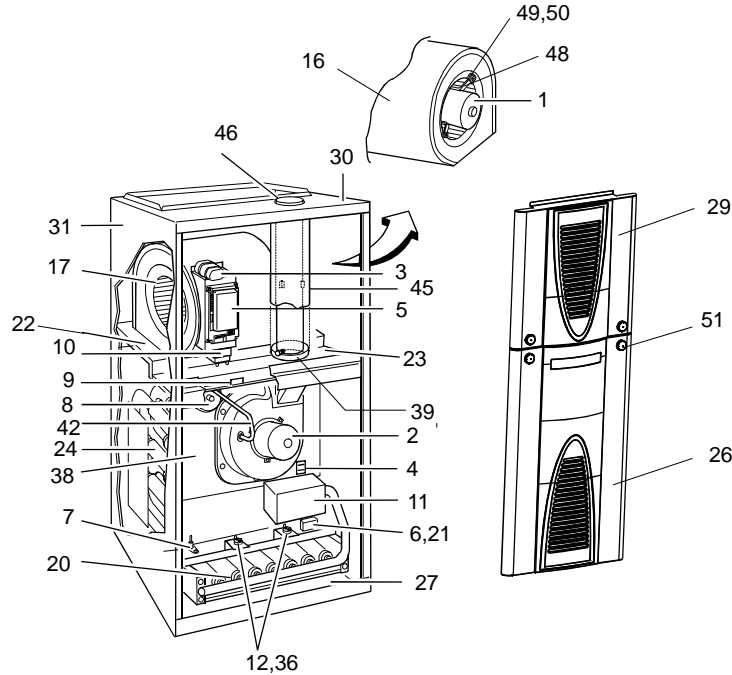


Figure 1: 2-STAGE DOWNFLOW/HORIZONTAL NATURAL GAS FURNACES (80%)

FIG	ITEM	DESCRIPTION	PT8A12N040DH11C	PT8A12N060DH11C	PT8A12N080DH11C	PT8B12N100DH11C
			PT8A12L040DH11C (2 BURNER)	PT8A12L060DH11C (3 BURNER)	PT8A12L080DH11C (4 BURNER)	PT8B12L100DH11C (5 BURNER)
MOTOR						
1	1	MOTOR, BLOWER	S1-02435647000	S1-02435647000	S1-02435647000	S1-02435647000
1	2	MOTOR, VENTOR ASS'Y	S1-02427653000	S1-02427653000	S1-02427653000	S1-02427653000
ELECTRICAL						
1	3	CAPACITOR (10MFD/370V) [RC]	S1-02420046000	S1-02420046000	S1-02420046000	S1-02420046000
1	4	CONTROL, HIGH LIMIT [LS1]	S1-02529041011	S1-02529041002	S1-02529041005	S1-02529041004
1	5	CONTROL, FURNACE [FC]	S1-03109168000	S1-03109168000	S1-03109168000	S1-03109168000
1	6	IGNITOR	S1-02532625000	S1-02532625000	S1-02532625000	S1-02532625000
1,2	7	SENSOR, FLAME	S1-02527773000	S1-02527773000	S1-02527773000	S1-02527773000
1	8	SWITCH, AIR PRESSURE [1LP]	S1-02435295000	S1-02435273000	S1-02435274000	S1-02435275000
1	9	SWITCH, DOOR [SW]	S1-02427640000	S1-02427640000	S1-02427640000	S1-02427640000
1	10	TRANSFORMER	S1-02530889000	S1-02530889000	S1-02530889000	S1-02530889000
1,2	11	VALVE, GAS	S1-02538915000	S1-02538915000	S1-02538915000	S1-02538915000
1,2	12	CONTROL, LIMIT (Blower) (1 Req'd) [ROS1]	S1-02527747016	S1-02527747016	S1-02527747016	S1-02527747018
2	13	LIMIT, FLAME ROLL-OUT (2 Req'd)	S1-02527792009	S1-02527792009	S1-02527792009	S1-02527792009
	14					
	15					
AIR MOVING						
1	16	HOUSING, BLOWER	S1-37317827001	S1-37317827001	S1-37317827001	S1-37317827001
*	16A	PANEL, FILLER WRAP	---	---	---	---
1	17	WHEEL, BLOWER	S1-02619654003	S1-02619654003	S1-02619654003	S1-02619654003

NOTE: *Not Shown

New replacement parts shown in **bold** face type at the first printing of parts list dated 1/09.

Major components and suggested stocking items are shown with shaded item number.

"<" Across from row indicates a change in that row.

--- Not applicable to specified model.

FIG	ITEM	DESCRIPTION	PT8A12N040DH11C	PT8A12N060DH11C	PT8A12N080DH11C	PT8B12N100DH11C
			PT8A12L040DH11C (2 BURNER)	PT8A12L060DH11C (3 BURNER)	PT8A12L080DH11C (4 BURNER)	PT8B12L100DH11C (5 BURNER)
FABRICATED PARTS						
*	19	BAFFLE, FLUE	S1-07317775001	S1-07317775001	S1-07317775002	S1-07317775003
1,2	20	BURNER, MAIN GAS	S1-02920482000	S1-02920482000	S1-02920482000	S1-02920482000
1	21	BRACKET, IGNITOR	S1-07317403000	S1-07317403000	S1-07317403000	S1-07317403000
1	22	DECK, BLOWER (Rear)	S1-07317502001	S1-07317502001	S1-07317502001	S1-07312081000
1	23	DECK, FRONT	S1-07323762001	S1-07323762001	S1-07323762001	S1-07323762002
1	24	HEAT EXCHANGER ASS'Y (Primary)	S1-37323820001	S1-37323820002	S1-37323820003	S1-37323820005
2	25	MANIFOLD, GAS	S1-02922114001	S1-02922114002	S1-02922114003	S1-02922114004
1	26	PANEL, FRONT (Burner) (Lower) (Magnet)	S1-37323801025	S1-37323801025	S1-37323801025	S1-37323801026
1	27	PANEL, BASE	S1-07323763001	S1-07323763001	S1-07323763001	S1-07323763002
	28					
1	29	PANEL, FRONT (Blower) (Upper) (Magnet)	S1-37323801033	S1-37323801033	S1-37323801033	S1-37323801034
1	30	PANEL, TOP	S1-07323764001	S1-07323764001	S1-07323764001	S1-07323764002
1	31	WRAPPER, INSULATED	S1-37319864001	S1-37319864001	S1-37319864001	S1-37319864002
MISCELLANEOUS						
	32					
*	33	PLUG, OVAL WINDOW	S1-02538899000	S1-02538899000	S1-02538899000	S1-02538899000
	34					
*	35	GROMMET, 1/2" DIA.	S1-02530823000	S1-02530823000	S1-02530823000	S1-02530823000
1,2	36	BRACKET, ROLL-OUT SWITCH	S1-07312033000	S1-07312033000	S1-07312033000	S1-07312033000
2	37	ORIFICE, BURNER (Natural #45)	S1-02921182045	S1-02921182045	S1-02921182045	S1-02921182045
1	38	PLATE, RESTRICTOR	S1-07323821007	S1-07323821011	S1-07323821020	S1-07323821001
1	39	COLLAR, FLUE	S1-07322222000	S1-07322222000	S1-07322222000	S1-07322222000
*	40	BAFFLE, BLOWER	S1-07317854002	S1-07317854002	S1-07317854002	S1-07317854002
*	41	GASKET, RESTRICTOR PLATE	S1-02813258000	S1-02813258000	S1-02813259000	S1-02813260000
1	42	TUBING, SILICONE	S1-02812499000	S1-02812499000	S1-02812499000	S1-02812499000
*	43	WIRING DIAGRAM	272307	272307	272307	272307
*	44	WIRING HARNESS	S1-37323770001	S1-37323770001	S1-37323770001	S1-37323770001
1	45	HOUSING FLUE	S1-02635453002	S1-02635453002	S1-02635453002	S1-02635453002
1	46	VENT PIPE	S1-02637300002	S1-02637300002	S1-02637300002	S1-02637300002
*	47	RETAINER, INSULATION	S1-07318035001	S1-07318035001	S1-07318035001	S1-07318035001
1	48	MOTOR MOUNT	S1-37319831002	S1-37319831002	S1-37319831002	S1-37319831002
1	49	FERRULE (3 Req'd)	S1-02320541000	S1-02320541000	S1-02320541000	S1-02320541000
1	50	GROMMET (3 Req'd)	S1-02814740000	S1-02814740000	S1-02814740000	S1-02814740000
1	51	DOOR KNOB (Black) (4 Req'd) (Magnet)	S1-02924412000	S1-02924412000	S1-02924412000	S1-02924412000
*	52	LO-NOX SCREENS ("L" Models only)	S1-02635452000	S1-02635452000	S1-02635452000	S1-02635452000
*	53	MAGNET, DOOR	S1-02924411000	S1-02924411000	S1-02924411000	S1-02924411000

NOTE: *Not Shown
 New replacement parts shown in **bold** face type at the first printing of parts list dated 1/09.
 Major components and suggested stocking items are shown with shaded item number.
 "<" Across from row indicates a change in that row.
 --- Not applicable to specified model.

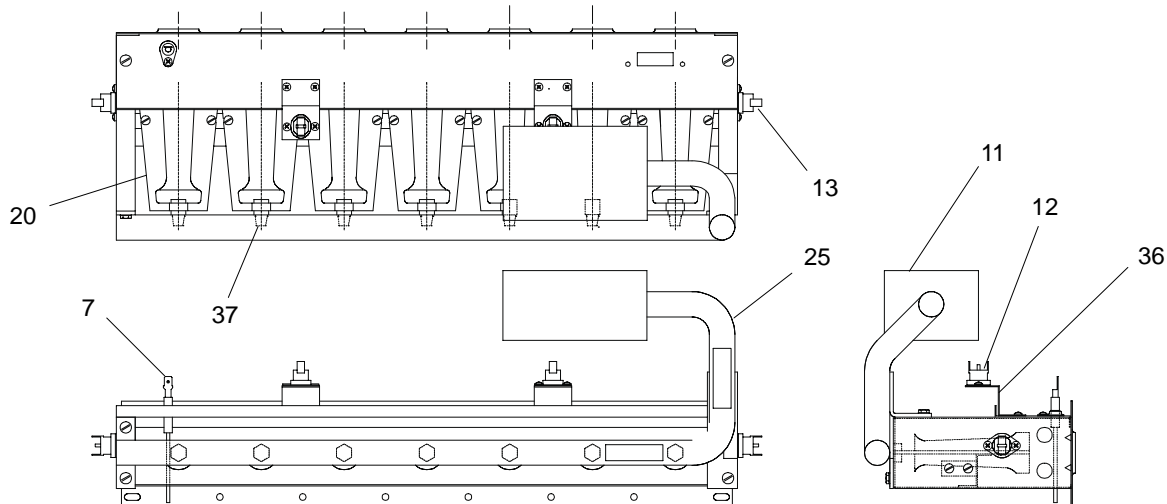


Figure 2: GAS CONTROLS

FIG	ITEM	DESCRIPTION	PT8B16N080DH11C	PT8C16N080DH11B	PT8C16N100DH11C	PT8C20N120DH11C
			PT8B16L080DH11C (4 BURNER)	PT8C16L080DH11B (4 BURNER)	PT8C16L100DH11C (5 BURNER)	PT8C20L120DH11C (6 BURNER)
MOTOR						
1	1	MOTOR, BLOWER	S1-02426002000	S1-02426002000	S1-02426002000	S1-02432056000
1	2	MOTOR, VENTOR ASS'Y	S1-02427653000	S1-02427653000	S1-02427653000	S1-02427653000
ELECTRICAL						
1	3	CAPACITOR (10MFD/370V) [RC]	S1-02420046000	S1-02420046000	S1-02420046000	---
		CAPACITOR (15MFD/370V) [RC]	---	---	---	S1-02425900000
1	4	CONTROL, HIGH LIMIT [LS1]	S1-02529041011	S1-02529041011	S1-02529041007	S1-02529041004
1	5	CONTROL, FURNACE [FC]	S1-03109168000	S1-03109168000	S1-03109168000	S1-03109168000
1	6	IGNITOR	S1-02532625000	S1-02532625000	S1-02532625000	S1-02532625000
1,2	7	SENSOR, FLAME	S1-02527773000	S1-02527773000	S1-02527773000	S1-02527773000
1	8	SWITCH, AIR PRESSURE [1LP]	S1-02435274000	S1-02435275000	S1-02435275000	S1-02435276000
1	9	SWITCH, DOOR [SW]	S1-02427640000	S1-02427640000	S1-02427640000	S1-02427640000
1	10	TRANSFORMER	S1-02530889000	S1-02530889000	S1-02530889000	S1-02530889000
1,2	11	VALVE, GAS	S1-02538915000	S1-02538915000	S1-02538915000	S1-02538915000
1,2	12	CONTROL, LIMIT (Blower) (1or 2 Req'd) [ROS1,2]	S1-02527747016	S1-02527747016	S1-02527747018	S1-02527747018
2	13	LIMIT, FLAME ROLL-OUT (2 Req'd)	S1-02527792009	S1-02527792009	S1-02527792009	S1-02527792009
	14					
	15					
AIR MOVING						
1	16	HOUSING, BLOWER	S1-37317829001	S1-37317829001	S1-37317829001	S1-37319870502
*	16A	PANEL, FILLER WRAP	S1-06378006000	S1-06378006000	S1-06378006000	S1-07319870501
1	17	WHEEL, BLOWER	S1-02619654014	S1-02619654014	S1-02619654014	S1-02638510000
FABRICATED PARTS						
	18					
*	19	BAFFLE, FLUE	S1-07317775002	S1-07317775003	S1-07317775003	S1-07317775004
1,2	20	BURNER, MAIN GAS	S1-02920482000	S1-02920482000	S1-02920482000	S1-02920482000
1	21	BRACKET, IGNITOR	S1-07317403000	S1-07317403000	S1-07317403000	S1-07317403000
1	22	DECK, BLOWER (Rear)	S1-07317503000	S1-07312082000	S1-07312082000	S1-07323737001
1	23	DECK, FRONT	S1-07323762002	S1-07323762003	S1-07323762003	S1-07323762003
1	24	HEAT EXCHANGER ASS'Y (Primary)	S1-37323820004	S1-37323836001	S1-37323820006	S1-37323820007
2	25	MANIFOLD, GAS	S1-02922114003	S1-02922114003	S1-02922114004	S1-02922114005
1	26	PANEL, FRONT (Burner) (Lower) (Magnet)	S1-37323801026	S1-37323801027	S1-37323801027	S1-37323801027
1	27	PANEL, BASE	S1-07323763002	S1-07323845001	S1-07323763003	S1-07323763003
	28					
1	29	PANEL, FRONT (Blower) (Upper) (Magnet)	S1-37323801034	S1-37323801035	S1-37323801035	S1-37323801035
1	30	PANEL, TOP	S1-07323764002	S1-07323764003	S1-07323764003	S1-07323764003
1	31	WRAPPER, INSULATED	S1-37319864002	S1-37319864003	S1-37319864003	S1-37319864003
MISCELLANEOUS						
	32					
*	33	PLUG, OVAL WINDOW	S1-02538899000	S1-02538899000	S1-02538899000	S1-02538899000
	34					
*	35	GROMMET, 1/2" DIA.	S1-02530823000	S1-02530823000	S1-02530823000	S1-02530823000
1,2	36	BRACKET, ROLL-OUT SWITCH	S1-07312033000	S1-07312033000	S1-07312033000	S1-07312033000
2	37	ORIFICE, BURNER (Natural #45)	S1-02921182045	S1-02921182045	S1-02921182045	S1-02921182045
1	38	PLATE, RESTRICTOR	S1-07323821001	S1-07323821008	S1-07323821006	S1-07323821009
1	39	COLLAR, FLUE	S1-07322222000	S1-07322222000	S1-07322222000	S1-07322222000
*	40	BAFFLE, BLOWER	S1-07317854004	S1-07317854003	S1-07317854003	S1-07317854003
*	41	GASKET, RESTRICTOR PLATE	S1-02813281000	S1-02813283000	S1-02813283000	S1-02813261000
1	42	TUBING, SILICONE	S1-02812499000	S1-02812499000	S1-02812499000	S1-02812499000
*	43	WIRING DIAGRAM	272307	272307	272307	272307
*	44	WIRING HARNESS	S1-37323770001	S1-37323770001	S1-37323770001	S1-37323770001
1	45	HOUSING, FLUE	S1-02635453002	S1-02635453002	S1-02635453002	S1-02635453002
1	46	VENT PIPE	S1-02637300002	S1-02637300002	S1-02637300002	S1-02637300002
*	47	RETAINER, INSULATION	S1-07318035001	S1-07318035001	S1-07318035002	S1-07318035003
1	48	MOTOR MOUNT	S1-37319831002	S1-37319831002	S1-37319831002	S1-37319831002
1	49	FERRULE (3 Req'd)	S1-02320541000	S1-02320541000	S1-02320541000	S1-02320541000
1	50	GROMMET (3 Req'd)	S1-02814740000	S1-02814740000	S1-02814740000	S1-02814740000
1	51	DOOR KNOB (Black) (4 Req'd) (Magnet)	S1-02924412000	S1-02924412000	S1-02924412000	S1-02924412000
*	52	LO-NOX SCREENS ("L" Models only)	S1-02635452000	S1-02635452000	S1-02635452000	S1-02635452000
*	53	MAGNET, DOOR	S1-02924411000	S1-02924411000	S1-02924411000	S1-02924411000

NOTE: *Not Shown
 New replacement parts shown in **bold** face type at the first printing of parts list dated 1/09.
 Major components and suggested stocking items are shown with shaded item number.
 "<" Across from row indicates a change in that row.
 --- Not applicable to specified model.

TO ORDER AUTHORIZED FACTORY REPLACEMENT PARTS - Contact your Source1 HVAC Parts Distributor or visit our website at **www.Source1Parts.com** for a Distributor and Dealer listing.

Subject to change without notice. Printed in U.S.A.
Copyright © 2009 by Johnson Control, Inc. All rights reserved.

035-21349-001 Rev. B (0109)
Supersedes: 035-21349-001 Rev. A (0307)

Johnson Control Unitary Products
5005 York Drive
Norman, OK 73069