



www.Source1Parts.com

FC9V SERIES 2-STAGE VARIABLE SPEED UPFLOW CONDENSING NATURAL GAS FURNACES (1st Gen, Style D and 2nd Gen, Style B)

HVAC SERVICE PARTS

Supersedes: Nothing, See Back

035-21322-001 Rev. A (0207)

1 of 8

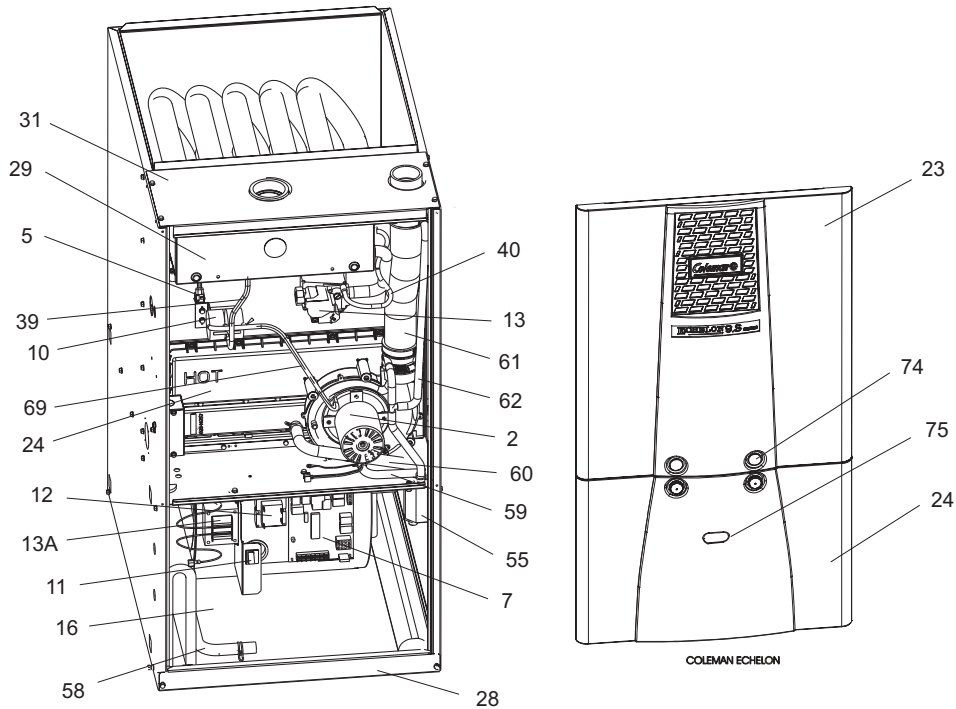


Figure 1: UPFLOW 2-STAGE VARIABLE SPEED CONDENSING NATURAL GAS FURNACES

FIG	ITEM	DESCRIPTION	FC9V040A12UP11D	---	FC9V080B12UP11D
			---	FC9V060B12UP12B	---
			(2 BURNER)	(3 BURNER)	(4 BURNER)
MOTOR					
2	1	MOTOR/MODULE, ECM PROGRAMMED (Complete)	S1-02431940030	S1-02431940031	S1-02431940029
*	1A	MODULE, ECM PROGRAMMED (Module only)	S1-32432013058	S1-32432013087	S1-32432013054
*	1B	Motor, ECM (less ECM module)	S1-02431940000	S1-02431940000	S1-02431940000
1,2	2	MOTOR, INDUCER ASS'Y	S1-02434589000	S1-02434589000	S1-02434589000
ELECTRICAL					
	3				
2	4	SWITCH, LIMIT (INDUCER)	S1-02538737000	S1-02538737000	S1-02538737000
1	5	LIMIT, TEMPERATURE (Primary)	S1-02529041005	S1-02529041002	S1-02529041007
3	6	LIMIT, FLAME ROLL-OUT	S1-02527792001	S1-02527792001	S1-02527792001
1	7	CONTROL, FURNACE MODULE	S1-03109169000	S1-03109169000	S1-03109169000
3	8	IGNITER	S1-02532625000	S1-02532625000	S1-02532625000
3	9	SENSOR, FLAME	S1-02537499000	S1-02537499000	S1-02537499000
1	10	SWITCH, PRESSURE	S1-02435269000	S1-02435265000	S1-02435266000
1	11	SWITCH, DOOR	S1-02427640000	S1-02427640000	S1-02427640000
1	12	TRANSFORMER	S1-02530889000	S1-02530889000	S1-02530889000
1,3	13	VALVE, GAS	S1-02538915000	S1-02538915000	S1-02538915000
1	13A	CHOKE, PFC	---	---	---
AIR MOVING					
2	14	HOUSING, BLOWER	S1-37319812751	S1-37319812751	S1-37319816751
2	15	WHEEL, BLOWER	S1-02619654009	S1-02619654009	S1-02619654009

NOTE: *Not Shown

New replacement parts shown in **bold** face type at the first printing of parts list dated 2/07.

Major components and suggested stocking items are shown with shaded item number.

"<" Across from row indicates a change in that row.

--- Not applicable to specified model.



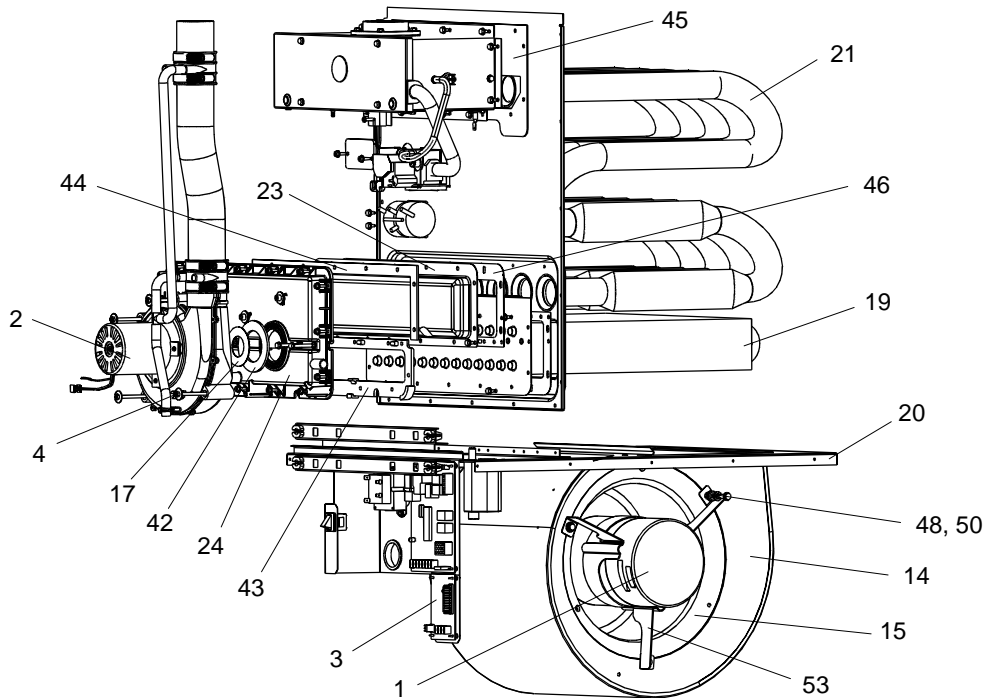


Figure 2: UPFLOW 2-STAGE VARIABLE SPEED CONDENSING NATURAL GAS FURNACES

FIG	ITEM	DESCRIPTION	FC9V040A12UP11D	---	FC9V080B12UP11D
			---	FC9V060B12UP12B	---
			(2 BURNER)	(3 BURNER)	(4 BURNER)
FABRICATED PARTS					
1	16	PANEL, BLOCK-OFF	S1-07319813090	S1-07319812090	073-19812-090
2	17	COMBUSTION BLWR RESTRICTOR	S1-02815209000	S1-02815163000	---
3	18	BURNER, MAIN GAS	S1-02920482000	S1-02920482000	029-20482-000
2	19	COIL, CONDENSING	S1-37319813801	S1-37319812801	373-19812-801
2	20	SHELF, BLOWER	S1-07319813215	S1-07319812215	073-19812-215
2	21	HEAT EXCHANGER ASS'Y	S1-37319811601	S1-37319812601	373-19812-602
3	22	MANIFOLD, GAS	S1-02922253020	S1-02922253030	029-22253-040
2	23	SHIELD, PAN	S1-07319813560	S1-07319812560	073-19812-560
1,2	24	PAN, CONDENSATE	S1-02815179000	S1-02814756001	028-14756-001
1	25	PANEL, BLOWER ACCESS (Magnet)	S1-37323801021	S1-37323801022	373-23801-022
1	26	ACCESS PANEL, UPPER (Magnet)	S1-37323801057	S1-37323801058	373-23801-058
3	27	WRAPPER, BURNER BOX	S1-07319813020	S1-07319811030	073-19811-040
1	28	CHANNEL, TOE PLATE	S1-07319862051	S1-07319862052	073-19862-052
1,3	29	COVER, GAS CONTROL	S1-37322155001	S1-37322155002	373-22155-003
3	30	BOTTOM PANEL, BURNER BOX	S1-07319811120	S1-07319811130	073-19811-140
1	31	PANEL, TOP	S1-07323753001	S1-07323753002	073-23753-003
3	32	SUPPORT, BURNER	S1-07319811320	S1-07319811330	073-19811-340
*	33	PLATE, DIFFUSER	S1-07314566001	S1-07314566002	073-14566-003
3	34	BRACKET, IGNITER	S1-07317403000	S1-07317403000	073-17403-000
	35				
	36				

NOTE: *Not Shown
 New replacement parts shown in **bold** face type at the first printing of parts list dated 2/07.
 Major components and suggested stocking items are shown with shaded item number.
 “<” Across from row indicates a change in that row.
 --- Not applicable to specified model.

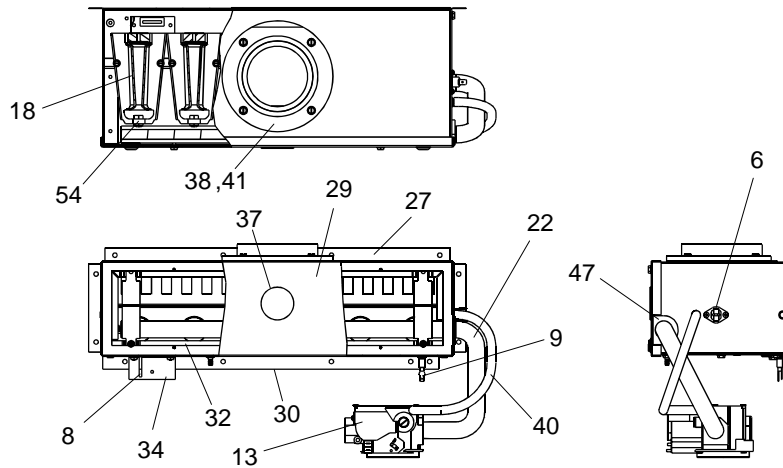


Figure 3: GAS CONTROLS

FIG	ITEM	DESCRIPTION	FC9V040A12UP11D	---	FC9V080B12UP11D
			(2 BURNER)	FC9V060B12UP12B (3 BURNER)	(4 BURNER)
MISCELLANEOUS					
1,3	37	PLUG, WINDOW, CLEAR -1.5"	S1-02537005000	S1-02537005000	S1-02537005000
3	38	CONNECTOR AIR INTAKE 2"	S1-02811289000	S1-02811289000	S1-02811289000
1	39	TUBING, SILICONE (Gray, .188 ID, 2 ft. Req'd)	S1-02812499000	S1-02812499000	S1-02812499000
1,3	40	TUBING, PREFORMED	S1-02815170000	S1-02815170000	S1-02815170000
3	41	GASKET, AIR INTAKE	S1-02812460001	S1-02812460001	S1-02812460001
2	42	GASKET, COMBUSTION BLOWER	S1-02814767000	S1-02814767000	S1-02814767000
2	43	GASKET, CONDENSATE PAN	S1-02814759001	S1-02814759002	S1-02814759002
2	44	GASKET, UPPER CONDENSATE PAN	S1-02815180000	S1-02814773000	S1-02814773000
2	45	GASKET, GAS CONTROLS	S1-02815221000	S1-02815222000	S1-02815223000
2	46	GASKET (COND. COIL/LOWER PAN) (2 Req'd)	S1-02814760001	S1-02814760002	S1-02814760002
3	47	GROMMET, MANIFOLD SEAL	S1-02812465000	S1-02812465000	S1-02812465000
2	48	GROMMET, MOTOR (3 Req'd)	S1-02814740000	S1-02814740000	S1-02814740000
*	49	GROMMET, 1/2" DIA.	S1-02530823000	S1-02530823000	S1-02530823000
2	50	FERRULE, MOTOR MOUNT(3 Req'd)	S1-02320541000	S1-02320541000	S1-02320541000
1	51	DOOR KNOB, RED (4 Req'd) (Magnet)	S1-02924411000	S1-02924411000	S1-02924411000
*	52	HARNESS, MAIN WIRING	S1-37319811532	S1-37319811532	S1-37319811532
2	53	MOUNT, 1 PC. MOTOR	S1-07319831001	S1-07319831001	S1-07319831001
3	54	ORIFICE, BURNER (Natural #45)	S1-02921182045	S1-02921182045	S1-02921182045
1	55	TRAP, CONDENSATE	S1-02814762000	S1-02814762000	S1-02814762000
*	56	WIRING DIAGRAM	271006	271006	271006
*	57	BLOWER EXHAUST DRAIN	S1-02815229000	S1-02815229000	S1-02815229000
1	58	DRAIN TUBE, CONDENSATE TRAP	S1-02813309004	S1-02813309004	S1-02813309004
1	59	DRAIN TUBE, COMBUSTION BLOWER	S1-02814764000	S1-02814764000	S1-02814764000
1	60	DRAIN TUBE, CONDENSATE PAN	S1-02814763000	S1-02814763000	S1-02814763000
1	61	VENT TUBE	S1-02815226000	S1-02815226000	S1-02815226000
1	62	DRAIN ASSY, DOUBLE GUTTER	S1-02815227000	S1-02815227000	S1-02815227000
*	63	LOCKNUT, CONDUIT (1/2")	S1-02532683000	S1-02532683000	S1-02532683000
*	64	ADAPTER, INSERT	S1-02531808000	S1-02531808000	S1-02531808000
*	65	BUSHING, THREADED	S1-02531807000	S1-02531807000	S1-02531807000
*	66	WASHER, FLAT FIBERGLASS (2 Req'd)	S1-02814768000	S1-02814768000	S1-02814768000
*	67	2" PVC	S1-02815228000	S1-02815228000	S1-02815228000
*	68	HARNESS, MOTOR WIRING (16 Pin)	S1-02541130000	S1-02541130000	S1-02541130000
1	69	TUBING, SILICONE (Gray, .188 ID, 1.25 ft. Req'd)	S1-02812499000	S1-02812499000	S1-02812499000
*	70	MAGNET, DOOR (4 Req'd)	S1-02924413000	S1-02924413000	S1-02924413000
1	71	SIGHT GLASS, OVAL	S1-02538899000	S1-02538899000	S1-02538899000

NOTE: *Not Shown

New replacement parts shown in **bold** face type at the first printing of parts list dated 2/07.

Major components and suggested stocking items are shown with shaded item number.

"<" Across from row indicates a change in that row.

--- Not applicable to specified model.



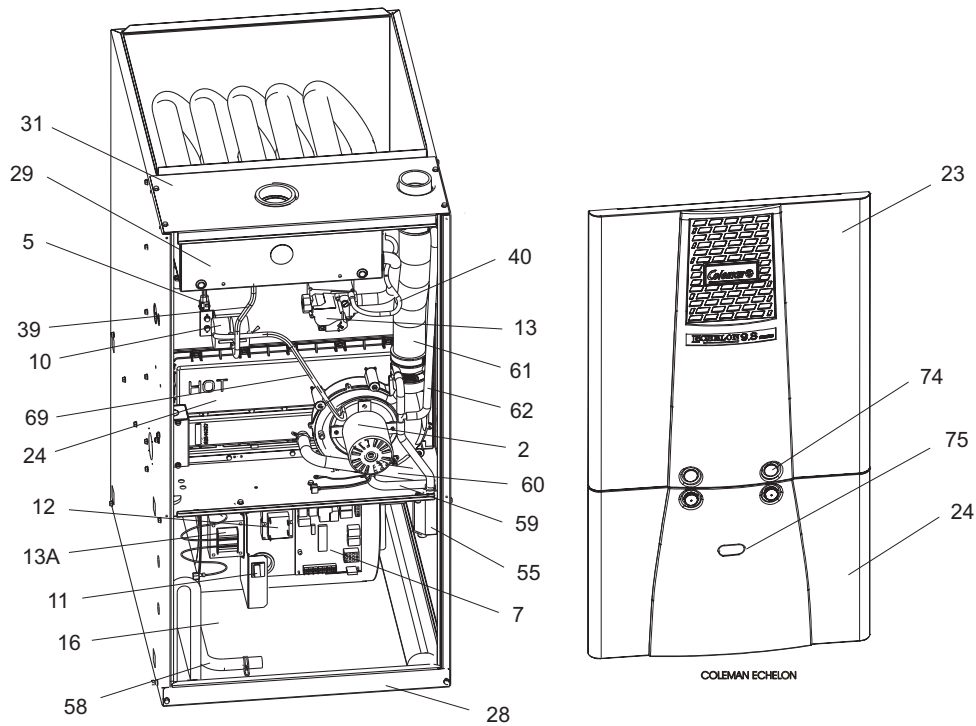


Figure 1: UPFLOW 2-STAGE VARIABLE CONDENSING SPEED NATURAL GAS FURNACES

FIG	ITEM	DESCRIPTION	FC9V080C16UP12B	FC9V100C20UP12B	FC9V120D20UP12B
			(4 BURNER)	(5 BURNER)	(6 BURNER)
MOTOR					
2	1	MOTOR/MODULE, ECM PROGRAMMED (Complete)	S1-02431947028	S1-02431941034	S1-02431941035
*	1A	MODULE, ECM PROGRAMMED (Module only)	S1-32432014088	S1-32432015089	S1-32432015090
*	1B	Motor, ECM (less ECM module)	S1-02431947000	S1-02431941000	S1-02431941000
1,2	2	MOTOR, INDUCER ASS'Y	S1-02434589000	S1-02434589000	S1-02434589000
ELECTRICAL					
	3				
2	4	SWITCH, LIMIT (INDUCER)	S1-02538737000	S1-02538737000	S1-02538737000
1	5	LIMIT, TEMPERATURE (Primary)	S1-02529041002	S1-02529041007	S1-02529041011
3	6	LIMIT, FLAME ROLL-OUT	S1-02527792001	S1-02527792001	S1-02527792001
1	7	CONTROL, FURNACE MODULE	S1-03109169000	S1-03109169000	S1-03109169000
3	8	IGNITER	S1-02532625000	S1-02532625000	S1-02532625000
3	9	SENSOR, FLAME	S1-02537499000	S1-02537499000	S1-02537499000
1	10	SWITCH, PRESSURE	S1-02435268000	S1-02435268000	S1-02435267000
1	11	SWITCH, DOOR	S1-02427640000	S1-02427640000	S1-02427640000
1	12	TRANSFORMER	S1-02530889000	S1-02530889000	S1-02530889000
1,3	13	VALVE, GAS	S1-02538915000	S1-02538915000	S1-02538915000
1	13A	CHOKE, PFC	S1-02435604000	S1-02435604000	S1-02435604000
AIR MOVING					
2	14	HOUSING, BLOWER	S1-37319816751	S1-37319820751	S1-37319820751
2	15	WHEEL, BLOWER	S1-02619654014	S1-02638510000	S1-02638510000

NOTE: *Not Shown

New replacement parts shown in **bold** face type at the first printing of parts list dated 2/07.

Major components and suggested stocking items are shown with shaded item number.

"<" Across from row indicates a change in that row.

--- Not applicable to specified model.



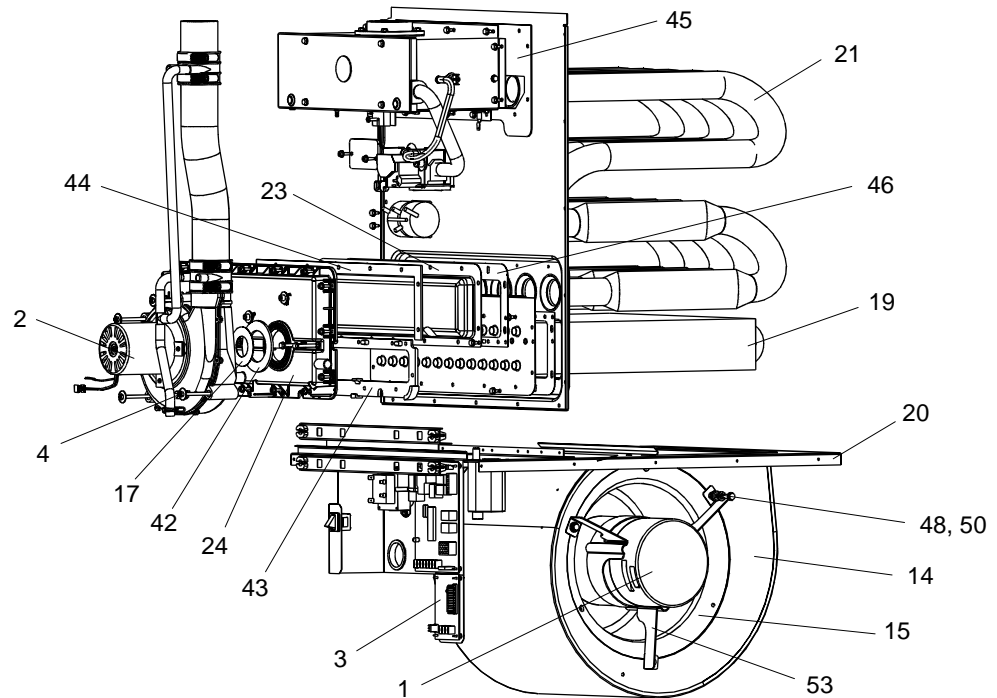


Figure 2: UPFLOW 2-STAGE VARIABLE SPEED CONDENSING NATURAL GAS FURNACES

FIG	ITEM	DESCRIPTION	FC9V080C16UP12B	FC9V100C20UP12B	FC9V120D20UP12B	
			(4 BURNER)	(5 BURNER)	(6 BURNER)	
FABRICATED PARTS						
1	16	PANEL, BLOCK-OFF	073-19816-090	S1-07319816090	S1-07319820090	
2	17	COMBUSTION BLWR RESTRICTOR	028-15164-000	---	---	
3	18	BURNER, MAIN GAS	029-20482-000	S1-02920482000	S1-02920482000	
2	19	COIL, CONDENSING	373-19816-801	S1-37319816801	S1-37319820801	
2	20	SHELF, BLOWER	073-19816-215	S1-07319816216	S1-07319820215	
2	21	HEAT EXCHANGER ASS'Y	373-19816-601	S1-37319816602	S1-37319820601	
3	22	MANIFOLD, GAS	029-22253-040	S1-02922253050	S1-02922253060	
2	23	SHIELD, PAN	073-19816-560	S1-07319816560	S1-07319820560	
1,2	24	PAN, CONDENSATE	028-14757-001	S1-02814757001	S1-02814758002	
1	25	PANEL, BLOWER ACCESS (Magnet)	373-23801-023	S1-37323801023	S1-37323801024	
1	26	ACCESS PANEL, UPPER (Magnet)	373-23801-059	S1-37323801059	S1-37323801060	
3	27	WRAPPER, BURNER BOX	073-19811-040	S1-07319811050	S1-07319811060	
1	28	CHANNEL, TOE PLATE	073-19862-053	S1-07319862053	S1-07319862054	
1,3	29	COVER, GAS CONTROL	373-22155-003	S1-37322155004	S1-37322155005	
3	30	BOTTOM PANEL, BURNER BOX	073-19811-140	S1-07319811150	S1-07319811160	
1	31	PANEL, TOP	073-23753-004	S1-07323753005	S1-07319865086	
3	32	SUPPORT, BURNER	073-19811-340	S1-07319811350	S1-07319811360	
*	33	PLATE, DIFFUSER	073-14566-003	S1-07314566004	S1-07314566005	
3	34	BRACKET, IGNITER	073-17403-000	S1-07317403000	S1-07317403000	
	35					
	36					

NOTE: *Not Shown

New replacement parts shown in **bold** face type at the first printing of parts list dated 2/07.

Major components and suggested stocking items are shown with shaded item number.

"<" Across from row indicates a change in that row.

--- Not applicable to specified model.

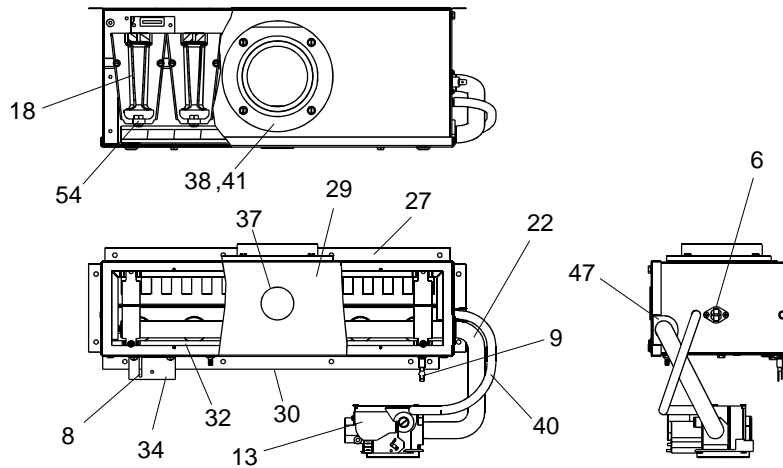


Figure 3: GAS CONTROLS

FIG	ITEM	DESCRIPTION	FC9V080C16UP12B	FC9V100C20UP12B	FC9V120D20UP12B
			(4 BURNER)	(5 BURNER)	(6 BURNER)
MISCELLANEOUS					
1,3	37	PLUG, WINDOW, CLEAR -1.5"	S1-02537005000	S1-02537005000	S1-02537005000
3	38	CONNECTOR AIR INTAKE 2"	S1-02811289000	S1-02811289000	S1-02811290000
1	39	TUBING, SILICONE (Gray, .188 ID, 2 ft. Req'd)	S1-02812499000	S1-02812499000	S1-02812499000
1,3	40	TUBING, PREFORMED	S1-02815170000	S1-02815170000	S1-02815170000
3	41	GASKET, AIR INTAKE	S1-02812460001	S1-02812460001	S1-02812460001
2	42	GASKET, COMBUSTION BLOWER	S1-02814767000	S1-02814767000	S1-02814767000
2	43	GASKET, CONDENSATE PAN	S1-02814759003	S1-02814759003	S1-02814759004
2	44	GASKET, UPPER CONDENSATE PAN	S1-02814774000	S1-02814774000	S1-02814775000
2	45	GASKET, GAS CONTROLS	S1-02815223000	S1-02815224000	S1-02815225000
2	46	GASKET (COND. COIL/LOWER PAN) (2 Req'd)	S1-02814760003	S1-02814760003	S1-02814760004
3	47	GROMMET, MANIFOLD SEAL	S1-02812465000	S1-02812465000	S1-02812465000
2	48	GROMMET, MOTOR (3 Req'd)	S1-02814740000	S1-02814740000	S1-02814740000
*	49	GROMMET, 1/2" DIA.	S1-02530823000	S1-02530823000	S1-02530823000
2	50	FERRULE, MOTOR MOUNT(3 Req'd)	S1-02320541000	S1-02320541000	S1-02320541000
1	51	DOOR KNOB, RED (4 Req'd) (Magnet)	S1-02924411000	S1-02924411000	S1-02924411000
*	52	HARNESS, MAIN WIRING	S1-37319811532	S1-37319811532	S1-37319811532
2	53	MOUNT, 1 PC. MOTOR	S1-07319831001	S1-07319831001	S1-07319831001
3	54	ORIFICE, BURNER (Natural #45)	S1-02921182045	S1-02921182045	S1-02921182045
1	55	TRAP, CONDENSATE	S1-02814762000	S1-02814762000	S1-02814762000
*	56	WIRING DIAGRAM	271006	271006	271006
*	57	BLOWER EXHAUST DRAIN ASSY	S1-02815229000	S1-02815229000	S1-02815229000
1	58	DRAIN TUBE, CONDENSATE TRAP	S1-02813309004	S1-02813309004	S1-02813309004
1	59	DRAIN TUBE, COMBUSTION BLOWER	S1-02814764000	S1-02814764000	S1-02814764000
1	60	DRAIN TUBE, CONDENSATE PAN	S1-02814763000	S1-02814763000	S1-02814763000
1	61	VENT TUBE	S1-02815226000	S1-02815226000	S1-02815226000
1	62	DRAIN ASSY, DOUBLE GUTTER	S1-02815227000	S1-02815227000	S1-02815227000
*	63	LOCKNUT, CONDUIT (1/2")	S1-02532683000	S1-02532683000	S1-02532683000
*	64	ADAPTER, INSERT	S1-02531808000	S1-02531808000	S1-02531808000
*	65	BUSHING, THREADED	S1-02531807000	S1-02531807000	S1-02531807000
*	66	WASHER, FLAT FIBERGLASS (2 Req'd)	S1-02814768000	S1-02814768000	S1-02814768000
*	67	2" PVC	S1-02815228000	S1-02815228000	S1-02815228000
*	68	HARNESS, MOTOR WIRING (16 Pin)	S1-02541130000	S1-02541130000	S1-02541130000
*	69	TUBING, SILICONE (Gray, .188 ID, 1.25 ft. Req'd)	S1-02812499000	S1-02812499000	S1-02812499000
*	70	MAGNET, DOOR (Magnet)	S1-02924413000	S1-02924413000	S1-02924413000
1	71	SIGHT GLASS, OVAL	S1-02538899000	S1-02538899000	S1-02538899000

NOTE: *Not Shown

New replacement parts shown in **bold** face type at the first printing of parts list dated 2/07.

Major components and suggested stocking items are shown with shaded item number.

"<" Across from row indicates a change in that row.

--- Not applicable to specified model.

NOTES

Note: This document appends 035-21088-001 Rev. B (0806) and 035-21236-001 Rev. A (0706),

TO ORDER AUTHORIZED FACTORY REPLACEMENT PARTS - Contact your Source1 HVAC Parts Distributor or visit our website at **www.Source1Parts.com** for a Distributor and Dealer listing.

Subject to change without notice. Printed in U.S.A.
Copyright © by York International Corp. 2007. All rights reserved.

035-21322-001 Rev. A (0207)
Supersedes: Nothing , See Above

Unitary Products Group	5005 York Drive	Norman OK 73069
---------------------------------------	--------------------------------	--------------------------------