



www.Source1Parts.com

**CM SERIES
MULTI-POSITION COIL W/HORIZONTAL PAN
ALUM COIL MODELS W/TXVS (STYLE A)**

HVAC SERVICE PARTS

Supersedes: 035-24533-001 Rev. B (1016)

035-24533-001 Rev. C (0617)

1 of 3

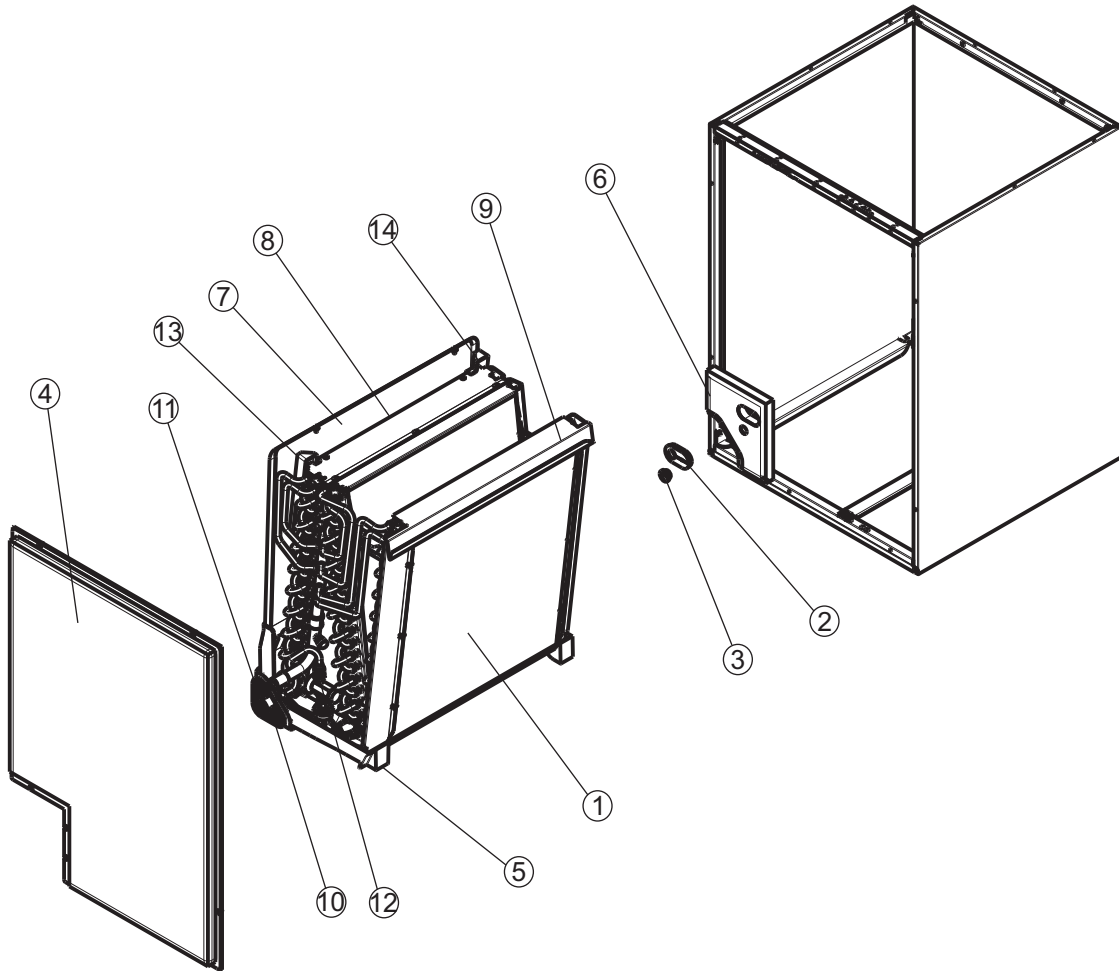


Figure 1 : MULT-POSITION COIL W/HORIZONTAL PAN AND TXV

ITEM	DESCRIPTION	CM18ABAA1A	CM24ABAA1A	CM24BBAA1A	CM30ABBA1A
1	Coil w/Drain Pan (No TXV)	S1-37339405005	S1-37339405007	S1-37339405008	S1-37339405013
2	Gasket, Oval	S1-02817078001	S1-02817077001	S1-02817077001	S1-02817077001
3	Grommet, Liquid Line	S1-02813209000	S1-02813209000	S1-02813209000	S1-02813209000
4	Assy, Lower Access Panel	S1-37339402001	S1-37339402001	S1-37339402004	S1-37339402002
5	Pan, Drain	S1-02817090000	S1-02817090000	S1-02817091000	S1-02817090000
6	Panel, Tubing Access	S1-37339403001	S1-37339403001	S1-37339403001	S1-37339403001
7	Drain Pan, Horizontal	S1-37339404001	S1-37339404002	S1-37339404001	S1-37339404004
8	Assy, Coil Baffle	S1-37339407002	S1-37339407002	S1-37339407003	S1-37339407001
9	Shield, Blow-off, RH	S1-07339408001	S1-07339408001	S1-07339408001	S1-07339408001
10	Plug, Drain Pan (2 Req'd)	S1-02812480001	S1-02812480001	S1-02812480001	S1-02812480001
11	Gasket, Drain Pan	S1-02817104000	S1-02817104000	S1-02817104000	S1-02817104000
12	TXV	S1-1TVMBA1	S1-1TVMBA1	S1-1TVMBA1	S1-1TVMBB1
13	Channel, Condensate, Front	S1-02817102000	S1-02817102000	S1-02817102000	S1-02817102000
14	Channel, Condensate, Rear	S1-02817103000	S1-02817103000	S1-02817103000	S1-02817103000
15*	Retainer, Insulation	---	---	S1-02925441000	---
16*	Gasket, Door	S1-02817061000	S1-02817061000	S1-02817061000	S1-02817061000

NOTE: *Not Shown

New replacement parts shown in **bold** face type at the first printing of parts list dated 6/17

Major components and suggested stocking items are shown with shaded item number.

"<" Across from row indicates a change in that row. Changes shown in red.

--- Not applicable to specified model.



ITEM	DESCRIPTION	CM30BBBA1A	CM30BBHA1A	CM36BBCA1A	CM36BCA1A	<
1	Coil w/Drain Pan (No TXV)	S1-37339405014	S1-37339405014	S1-37339405018	S1-37339405019	
2	Gasket, Oval	S1-02817077001	S1-02817077001	S1-02817077001	S1-02817077001	
3	Grommet, Liquid Line	S1-02813209000	S1-02813209000	S1-02813209000	S1-02813209000	
4	Assy, Lower Access Panel	S1-37339402005	S1-37339402005	S1-37339402006	S1-37339402009	
5	Pan, Drain	S1-02817091000	S1-02817091000	S1-02817091000	S1-02817092000	
6	Panel, Tubing Access	S1-37339403001	S1-37339403001	S1-37339403001	S1-37339403001	
7	Drain Pan, Horizontal	S1-37339404003	S1-37339404003	S1-37339404005	S1-37339404011	
8	Assy, Coil Baffle	S1-37339407002	S1-37339407002	S1-37339407002	S1-37339407003	
9	Shield, Blow-off, RH	S1-07339408001	S1-07339408001	S1-07339408001	S1-07339408001	
10	Plug, Drain Pan (2 Req'd)	S1-02812480001	S1-02812480001	S1-02812480001	S1-02812480001	
11	Gasket, Drain Pan	S1-02817104000	S1-02817104000	S1-02817104000	S1-02817104000	
12	TXV	S1-1TVMBB1	S1-1TVMBH1	S1-1TVMBC1	S1-1TVMBC1	
13	Channel, Condensate, Front	S1-02817102000	S1-02817102000	S1-02817102000	S1-02817102000	
14	Channel, Condensate, Rear	S1-02817103000	S1-02817103000	S1-02817103000	S1-02817103000	
15*	Retainer, Insulation	S1-02925441000	S1-02925441000	S1-02925441000	S1-02925442000	<
16*	Gasket, Door	S1-02817061000	S1-02817061000	S1-02817061000	S1-02817061000	<

ITEM	DESCRIPTION	CM42CBAA1A	CM42CBCA1A	CM48CBBA1A	CM48CBCA1A	<
1	Coil w/Drain Pan (No TXV)	S1-37339405022	S1-37339405022	S1-37339405024	S1-37339405024	
2	Gasket, Oval	S1-02817077001	S1-02817077001	S1-02817077001	S1-02817077001	
3	Grommet, Liquid Line	S1-02813209000	S1-02813209000	S1-02813209000	S1-02813209000	
4	Assy, Lower Access Panel	S1-37339402010	S1-37339402010	S1-37339402011	S1-37339402011	
5	Pan, Drain	S1-02817092000	S1-02817092000	S1-02817092000	S1-02817092000	
6	Panel, Tubing Access	S1-37339403001	S1-37339403001	S1-37339403001	S1-37339403001	
7	Drain Pan, Horizontal	S1-37339404008	S1-37339404008	S1-37339404009	S1-37339404009	
8	Assy, Coil Baffle	S1-37339407003	S1-37339407003	S1-37339407002	S1-37339407002	
9	Shield, Blow-off, RH	S1-07339408001	S1-07339408001	S1-07339408001	S1-07339408001	
10	Plug, Drain Pan (2 Req'd)	S1-02812480001	S1-02812480001	S1-02812480001	S1-02812480001	
11	Gasket, Drain Pan	S1-02817104000	S1-02817104000	S1-02817104000	S1-02817104000	
12	TXV	S1-1TVMBA1	S1-1TVMBC1	S1-1TVMBB1	S1-1TVMBC1	
13	Channel, Condensate, Front	S1-02817102000	S1-02817102000	S1-02817102000	S1-02817102000	
14	Channel, Condensate, Rear	S1-02817103000	S1-02817103000	S1-02817103000	S1-02817103000	
15*	Retainer, Insulation	S1-02925442000	S1-02925442000	S1-02925442000	S1-02925442000	<
16*	Gasket, Door	S1-02817061000	S1-02817061000	S1-02817061000	S1-02817061000	<

ITEM	DESCRIPTION	CM48DBCA1A	CM60CBDA1A	CM60CBGA1A	CM60DBDA1A	<
1	Coil w/Drain Pan (No TXV)	S1-37339405025	S1-37339405001	S1-37339405001	S1-37339405002	
2	Gasket, Oval	S1-02817077001	S1-02817077001	S1-02817077001	S1-02817077001	
3	Grommet, Liquid Line	S1-02813209000	S1-02813209000	S1-02813209000	S1-02813209000	
4	Assy, Lower Access Panel	S1-37339402015	S1-37339402011	S1-37339402011	S1-37339402015	
5	Pan, Drain	S1-02817093000	S1-02817092000	S1-02817092000	S1-02817093000	
6	Panel, Tubing Access	S1-37339403001	S1-37339403001	S1-37339403001	S1-37339403001	
7	Drain Pan, Horizontal	S1-37339404009	S1-37339404010	S1-37339404010	S1-37339404010	
8	Assy, Coil Baffle	S1-37339407003	S1-37339407002	S1-37339407002	S1-37339407002	
9	Shield, Blow-off, RH	S1-07339408001	S1-07339408001	S1-07339408001	S1-07339408001	
10	Plug, Drain Pan (2 Req'd)	S1-02812480001	S1-02812480001	S1-02812480001	S1-02812480001	
11	Gasket, Drain Pan	S1-02817104000	S1-02817104000	S1-02817104000	S1-02817104000	
12	TXV	S1-1TVMBC1	S1-1TVMBD1	S1-1TVMBG1	S1-1TVMBD1	
13	Channel, Condensate, Front	S1-02817102000	S1-02817102000	S1-02817102000	S1-02817102000	
14	Channel, Condensate, Rear	S1-02817103000	S1-02817103000	S1-02817103000	S1-02817103000	
15*	Retainer, Insulation	S1-02925443000	S1-02925442000	S1-02925442000	S1-02925443000	<
16*	Gasket, Door	S1-02817061000	S1-02817061000	S1-02817061000	S1-02817061000	<

NOTE: *Not Shown
 New replacement parts shown in **bold** face type at the first printing of parts list dated 6/17
 Major components and suggested stocking items are shown with shaded item number.
 "<" Across from row indicates a change in that row. Changes shown in red.
 --- Not applicable to specified model.

TO ORDER AUTHORIZED FACTORY REPLACEMENT PARTS - Contact your Source1 HVAC Parts Distributor or visit our website at www.Source1Parts.com for a Distributor and Dealer listing.

