

VALVE INSTALLATION GUIDE For Model No. WAGS7200-3

⚠ WARNING: Part number GOKIT7200-1 **MUST** be purchased and installed when the WAGS valve is installed on a gas or oil fired water heater. Not all Gas valves are compatible with the WAGS valve. Your gas valve must be capable of accepting the gas valve adaptor packaged with the WAGS wiring kit. See page 4 of instructions for installing the wiring kit GOKIT7200-1.

CAUTION: Do not activate the WAGS valve to test its function. It is a one time use device.

About the WAGS Valve

WAGS stands for Water And Gas Safety valve. The WAGS valve is designed to shut off the water supply to a water heater in the event of a water leak, minimizing property damage.

When the WAGS valve is installed on a gas or oil fired water heater, part number GOKIT7200-1 **MUST** also be purchased and installed in order to simultaneously shut off either the gas or oil along with the water when the valve is activated. Once activated, the WAGS valve will eliminate the safety concern of dry firing the water heater, having a runaway control, or possible gas leakage. The WAGS valve can easily be installed on all types of water heaters. The valve is fully mechanical and requires no outside power supply.

The WAGS valve sits in a drip pan under the water heater. When approximately 7/8" to 1" of water accumulates in the pan, the WAGS valve is activated. Once activated, the water, gas or oil supply will be shut off instantly. Activation of the valve is indicated by a red pop-up tab. It is a single-use device and contains no user serviceable parts. Gas and oil fired water heaters require the use of the wiring harness. The wiring harness is not included and must be purchased separately. For electric water heaters, the wiring harness is not needed.

Additional Materials Needed for Installation

- Water heater drip pan or other suitable device that will allow the water to rise to a level of 7/8" to 1". (See drip pan sizing chart below.)
- Two 3/4" male threaded x sweat adapters.
- Two lengths of copper (or other approved) tubing. Length will vary by installation - see step 9.
- Two to four (depending on installation) 90° copper (or other approved) elbows.

Materials Included in WAGS Box

- WAGS valve
- Instruction sheet
- Required product sticker for water heater
- Warranty card
- Drip pan dam
- Condensation drain tube

Optional Gas and Oil Wiring Kit GOKIT7200-1

- Gas or oil water heater wire assembly kit includes: Wire harness
Gas valve adaptor
Self-adhering mounting pad
Wire tie

Ratings

- Valve Rating: 20° F – 200° F
- Wire Assembly Rating: 5 – 35 Milli OHMS
- Maximum Operating Pressure: 80 psi
- System Rating: 40° F – 180° F
- Maximum Body Design Pressure: 125 psi

Drip Pan Sizing Chart			
Water Heater Diameter	Up to 17.75"	18" through 23"	24.5"
Minimum Drip Pan Size	20" pan	24" pan	26" pan

⚠ CAUTION

The WAGS valve installation should only be performed by licensed and certified plumbers or qualified HVAC professionals knowledgeable of all applicable national, state and local plumbing, gas, oil and electrical codes.

To avoid a malfunction, serious injury and/or property damage, follow the installation steps as described.

⚠ WARNING: Do not place fingers or foreign objects in WAGS valve openings.

This single-use device cannot be reset or repaired and should be discarded once it has been activated.

INSTALLATION STEPS

To install the WAGS valve on an existing water heater without a drip pan begin at step 1. To install the WAGS valve on a new water heater installation or if your water heater already has a pan installed begin at step 6. See special additional steps for gas and oil heater installation following step 14.

INSTALLATION OF AN EXISTING WATER HEATER WITHOUT A DRIP PAN

1. Turn off supply water and gas/electricity/oil to the water heater.
2. Extinguish all flames in the work area, including pilot lights. Turn thermostats on any boilers or furnaces to the lowest setting.
3. Drain the water heater completely by connecting a garden hose to the drain valve. (Turn on any hot water faucet in the house to break the vacuum.)
4. Disconnect the hot and cold water lines from the water heater. If there are no union connections, cut the pipes at least 3 inches above the top of the water heater.
5. For gas water heaters, disconnect the vent pipe and the flexible gas line at the gas valve on the water heater. A slight odor from residual gas is normal.

SAFETY PRECAUTION

Ensure that the gas shut-off valve is not leaking by submerging the end of the gas line in a container of water. If no bubbles are present go to step 6. If bubbles are present, reconnect the gas line and call the local gas supplier or utility for assistance.

INSTALLATION OF A NEW WATER HEATER

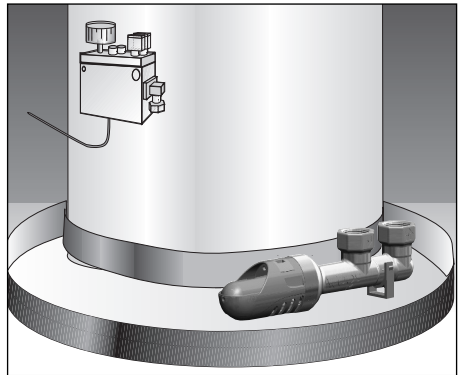
(and continuation of instructions for an existing water heater)

6. Place the drip pan under the water heater. Make sure the floor is clean, stable and level. If a suitable floor drain is available, orient the pan's drain port toward the floor drain.

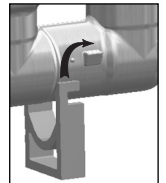
NOTE

Check local plumbing codes for drain line requirements. If a drain line is required and before completing the installation refer to the "Additional Installation Steps When Drain Line Required" section after step 14.

7. Place the water heater in the drip pan so that the WAGS valve has enough room to sit flush on the bottom of the pan.



8. Install the foot support by sliding it over the body from the bottom of the valve (opposite the inlet and outlet connection) and align the slots on the foot with the protrusions on the valve body. Slide the foot support forward to lock into place. Place the WAGS valve flat in the pan, resting it up against the water heater. Align the WAGS valve "OUT" port underneath the water heater's cold water inlet. Position the valve away from burner doors and drain/relief valves to ensure proper serviceability and tank operation. Point the plastic portion of the valve toward the front of the water heater for easy visibility of the pop-up water leak indicator tab.



9. Measure and cut a length of copper tubing (or other approved tubing) so you can connect the end of the cold water supply line to the "IN" port of the WAGS valve. Measure and cut a length of copper tubing (or other approved tubing) so you can connect the "OUT" port of the WAGS valve to the "COLD IN" of the water heater.

10. Solder 3/4" male threaded x sweat adapters onto the tubing away from the WAGS valve. Allow tubing and adapters to cool.

▲ CAUTION

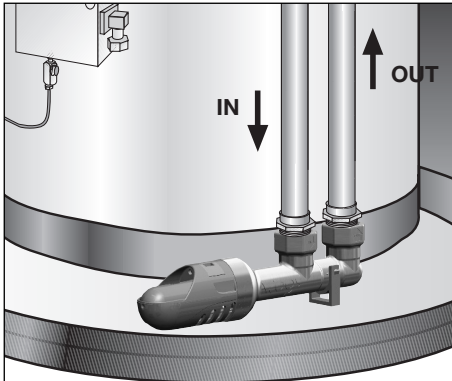
Do not solder or heat the 3/4" threaded ports on the WAGS valve. This could damage the valve, resulting in improper valve operation, serious injury or property damage.



11. Screw the two lengths of tubing into the valve ports until snug, keeping the valve interior free of excessive tape or sealant.

12. Place the valve back so that it sits flat on the drip pan bottom. Make sure the ends of the copper tubing (or other approved tubing) align with the supply line and the water heater's "COLD IN" port respectively.

13. Finish the piping by attaching the cold water supply line to the end of the tubing going into the "IN" port of the WAGS valve and by attaching the end of the tubing coming from the "OUT" port of the WAGS valve to the water heater's cold water inlet.



NOTE

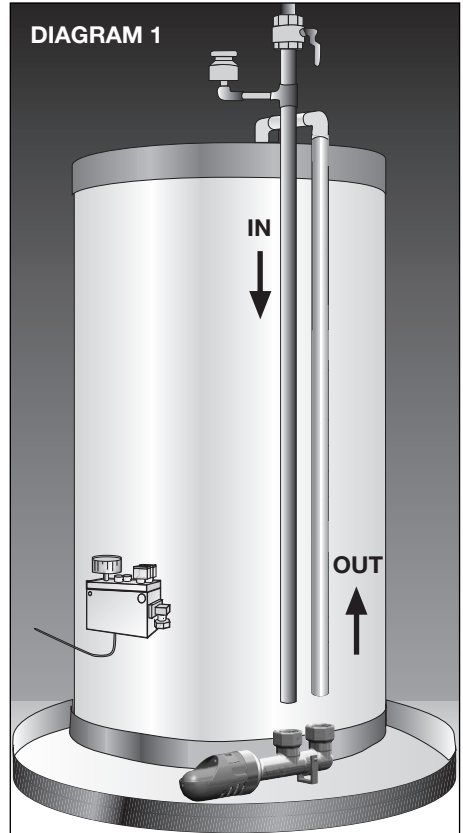
A vacuum breaker and/or expansion tank should be installed in the cold water line. Check local plumbing codes for appropriate placement of vacuum breaker.

DIAGRAM 1

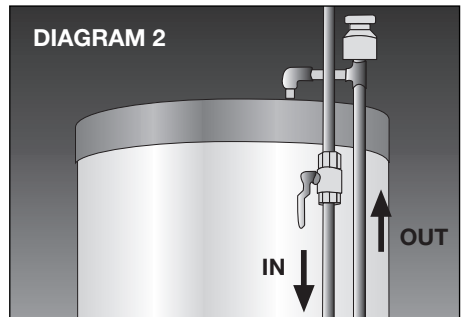
WAGS valve is installed between vacuum breaker and water heater. The vacuum breaker operates normally until leak is detected by the WAGS valve. The WAGS valve closes and stops incoming supply water as well as tank leakage.

DIAGRAM 2

WAGS valve is installed before vacuum breaker and water heater where plumbing codes



(such as Massachusetts) require no accessories piped in this section. When leak is detected by the WAGS valve, the WAGS valve closes and stops incoming supply water.



14. Place sticker with the valve pictured onto the front of the water heater where it can be easily viewed. Make sure the tank surface is clean and dry to assure proper adhesion.



ADDITIONAL INSTALLATION STEPS WHEN DRAIN LINE REQUIRED

To activate the valve, leaking water must rise 7/8" to 1" in the drip pan (or other collection device). Local plumbing codes may require the installation of a drip pan with a drain line and/or the ability to drain normal standing water (usually condensate). Install the supplied dam (A) and condensate drain tube (B) around the drain line opening which will allow water to rise to at least 7/8", allowing any excess water to flow over the dam into the drain line and any normal standing condensate to flow through the drain tube into the drain line.

Peel off the drain dam's adhesive tape backing and stick condensate drain tube (B) to the bottom so tube ends extend beyond both sides of the dam. Attach both pieces so that they form a dam around the drip pan's drain line opening. Press firmly to the bottom and sides of the pan to ensure a water tight seal.



This completes the WAGS valve installation on electric heaters. See additional steps for oil and gas heaters below. Install the water heater per manufacturer's instructions.

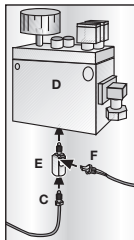
ADDITIONAL INSTALLATION FOR GAS WATER HEATERS (INSTALL GAS AND OIL WIRING KIT GOKIT7200-1)

1. Disconnect thermocouple (C) from the water heater's gas valve (D).

CAUTION

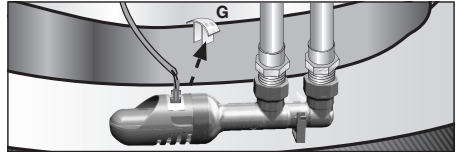
Do not use teflon tape or other sealant on any of these connections.

2. Screw provided gas valve adapter (E) into gas valve (D).

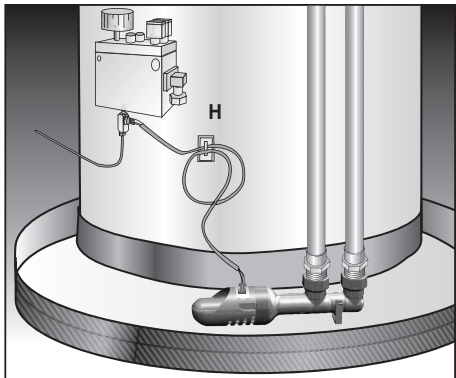


3. Re-insert thermocouple (C) into female thread of gas valve adapter (E) and screw nut two full turns only. Insert round white plug of wiring harness (F) into adapter hole. Tighten thermocouple nut (C) securely.

4. Remove and discard the fuse cover (G) from the WAGS valve terminals and insert the wiring harness's blue connectors. Press firmly.



5. The plastic self-adhering mounting pad (H) can be placed on the tank and used to tie up (with the wire tie supplied) any extra length of wire harness. For proper adhesion, the tank surface must be clean and dry.



NOTE TO HOMEOWNER

To ensure proper operation, keep the water intake slots on the bottom of the plastic section of the WAGS valve free and clear. Inspect periodically.



Taco Incorporated
 1160 Cranston Street
 Cranston, RI 02920
 1-877-GET-WAGS
 (1-877-438-9247)
 www.wagsvalve.com

Printed in U.S.A.
 Patent Number 6024116
 © 2012 Taco Incorporated
 Effective: February 1, 2012
 Supersedes: November 1, 2011
 Plant ID#: 001-1015