



www.Source1Parts.com

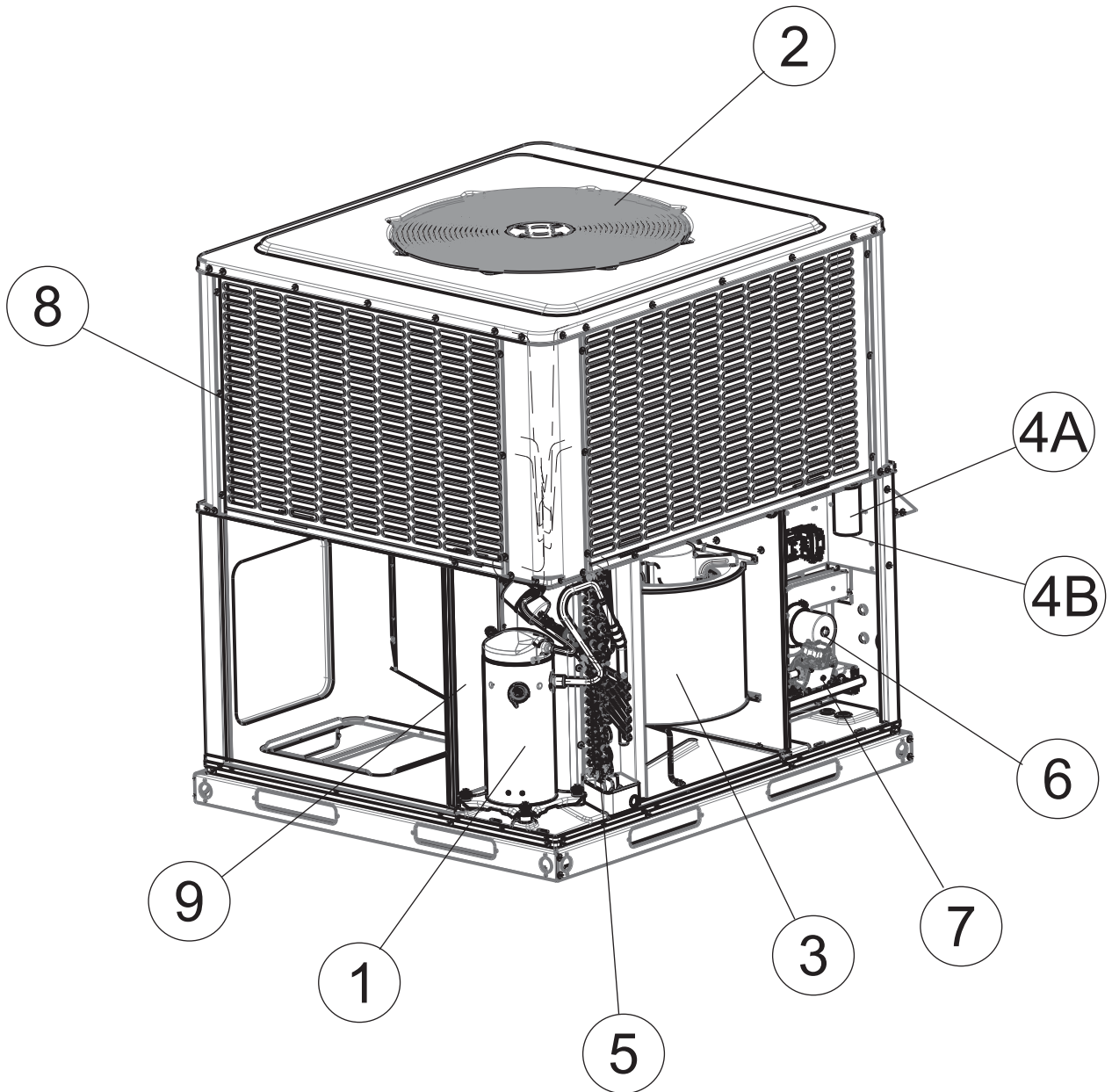
**PCG4 SERIES - 14 SEER  
SINGLE PACKAGED GAS/ELECTRIC  
AIR CONDITIONER (R-410A, STYLE A)**

**HVAC SERVICE PARTS**

Supersedes:035-24185-001 Rev. L (1116)

035-24185-001 Rev. M (1216)

1 of 24



**Gas/Electric Air Conditioner Residential Packaged \_Top Level**

Section	Description	Pages
1	Compressor Assembly	2,3
2	Fan Assembly	3,4
3	Indoor Blower Assembly	5,6
4A	Electric Box Assembly with Hard Start	7,8
4B	Electric Box Assembly without Hard Start	8,9
5	Condenser, Evaporator Coil Assembly	10,11
6	Heat Section	12,13,14
7	Burner Assembly	14,15,16
8	Outside Sheet Metal Parts	17,18,19
9	Inside Sheet Metal Parts	20,21, 22
10	Misc.	23

ITEM	FIG	DESCRIPTION	PCG4A240502X1A	PCG4A240752X1A	PCG4A300502X1A
<b>Condensator Fan Motor &amp; Air Moving Components....FAN MOTOR/FAN BLADE PAIRING MUST BE MAINTAINED BY MANUFACTURING DATE.</b>					
6	2	Motor, Fan (Built on/B4 4/3/2016)	S1-02436215000	S1-02436215000	---
		Motor, Fan (Built on/after 4/4/2016)	S1-02436231000	S1-02436231000	---
		Motor, Fan (Built 8/30/16 or before)	---	---	S1-02436215000
		Motor, Fan (Built 8/31/16 or after)	---	---	S1-02439545000
7	2	Blade, Fan (Built on/B4 4/3/2016)	S1-02647883000	S1-02647883000	---
		Blade, Fan (Built on/after 4/4/2016)	S1-02635436000	S1-02635436000	---
		Blade, Fan (Built 8/30/16 or before)	---	---	S1-02642434000
		Blade, Fan (Built 8/31/16 or after)	---	---	S1-02635436000
8	2	Guard, Fan	S1-02647770000	S1-02647770000	S1-02647770000
9	2	Wireway	S1-02816469000	S1-02816469000	S1-02816469000
10	2	Kit, Acorn Nut	S1-36390117700	S1-36390117700	S1-36390117700

ITEM	FIG	DESCRIPTION	PCG4A300752X1A	PCG4A360502X1A	PCG4A360752X1A
<b>Condensator Fan Motor &amp; Air Moving Components....FAN MOTOR/FAN BLADE PAIRING MUST BE MAINTAINED BY MANUFACTURING DATE.</b>					
6	2	Motor, Fan	---	S1-02436215000	S1-02436215000
		Motor, Fan (Built 8/30/16 or before)	S1-02436215000	---	---
		Motor, Fan (Built 8/31/16 or after)	S1-02439545000	---	---
7	2	Blade, Fan	---	S1-02642434000	S1-02642434000
		Blade, Fan (Built 8/30/16 or before)	S1-02642434000	---	---
		Blade, Fan (Built 8/31/16 or after)	S1-02635436000	---	---
8	2	Guard, Fan	S1-02647770000	S1-02647770000	S1-02647770000
9	2	Wireway	S1-02816469000	S1-02816469000	S1-02816469000
10	2	Kit, Acorn Nut	S1-36390117700	S1-36390117700	S1-36390117700

ITEM	FIG	DESCRIPTION	PCG4A361002X1A	PCG4A420752X1A	PCG4A421002X1A
<b>Condensator Fan Motor &amp; Air Moving Components</b>					
6	2	Motor, Fan	S1-02436215000	S1-02436215000	S1-02436215000
7	2	Blade, Fan	S1-02642434000	S1-02642434000	S1-02642434000
8	2	Guard, Fan	S1-02647770000	S1-02647770000	S1-02647770000
9	2	Wireway	S1-02816469000	S1-02816469000	S1-02816469000
10	2	Kit, Acorn Nut	S1-36390117700	S1-36390117700	S1-36390117700

ITEM	FIG	DESCRIPTION	PCG4B480652X1A	PCG4B481002X1A	PCG4B481252X1A
<b>Condensator Fan Motor &amp; Air Moving Components</b>					
6	2	Motor, Fan	S1-02436216000	S1-02436216000	S1-02436216000
7	2	Blade, Fan	S1-02647782000	S1-02647782000	S1-02647782000
8	2	Guard, Fan	S1-02647771000	S1-02647771000	S1-02647771000
9	2	Wireway	S1-02816470000	S1-02816470000	S1-02816470000
10	2	Kit, Acorn Nut	S1-36390117700	S1-36390117700	S1-36390117700

ITEM	FIG	DESCRIPTION	PCG4B600652X1A	PCG4B601002X1A	PCG4B601252X1A
<b>Condensator Fan Motor &amp; Air Moving Components</b>					
6	2	Motor, Fan	S1-02436216000	S1-02436216000	S1-02436216000
7	2	Blade, Fan	S1-02647782000	S1-02647782000	S1-02647782000
8	2	Guard, Fan	S1-02647771000	S1-02647771000	S1-02647771000
9	2	Wireway	S1-02816470000	S1-02816470000	S1-02816470000
10	2	Kit, Acorn Nut	S1-36390117700	S1-36390117700	S1-36390117700

**NOTE:** \*Not ShownNew replacement parts shown in **bold** face type at the first printing of parts list dated 12/16.

Major components and suggested stocking items are shown with shaded item number.

"←" Across from row indicates a change in that row, changed part numbers in red.

--- Not applicable to specified model.